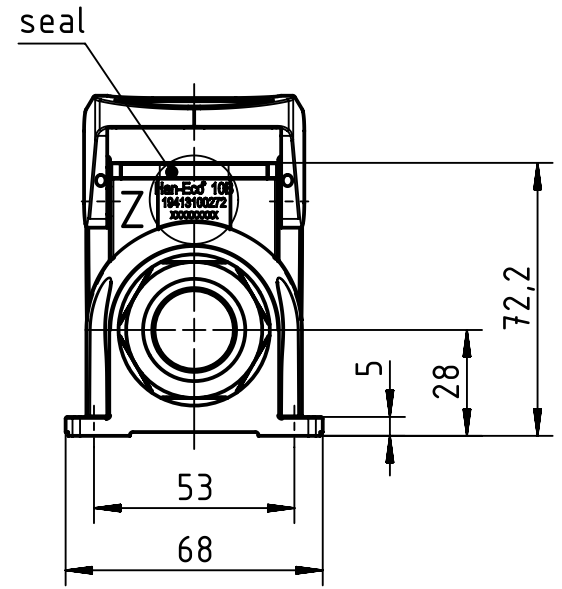
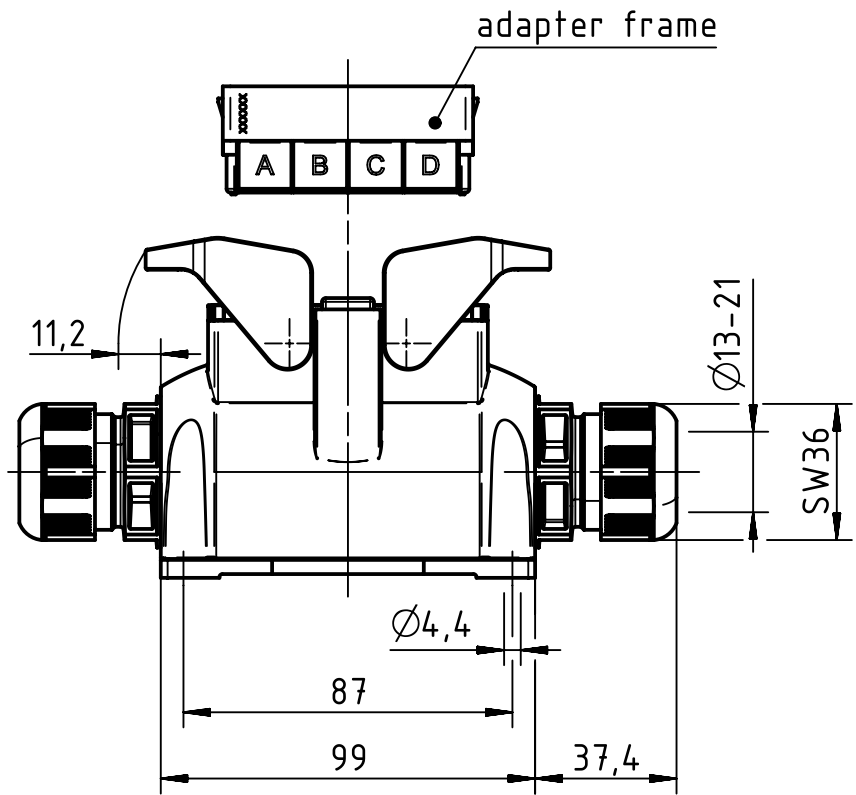


A

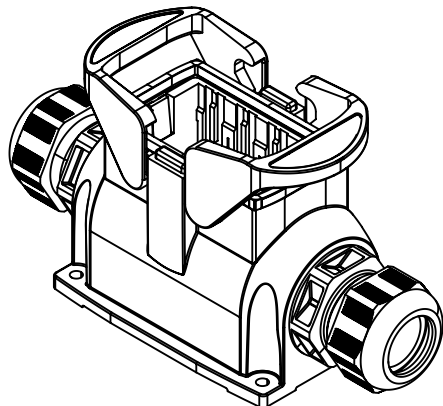
B

C

D



Z (1:1)



adapter frame and cable glands are enclosed

	All Dimensions in mm Original Size DIN A4		Scale 1:2	Free size tol.		Ref.
						Sub.
	All rights reserved		Created by DICK	Inspected by HERBRECHTSME	Standardisation TIEMANNA	Date 2016-02-29
	Department EL PD - DE					State Final Release
HARTING Electric GmbH & Co. KG D-32339 Espelkamp			Title Han-Eco 10B asg2 M32 outdoor w. gland			Doc-Key / ECM-Nr. 100222558/UGD/006/E 500000096768
			Type TB	Number 19 41 310 0272		Rev. E Page 1/1