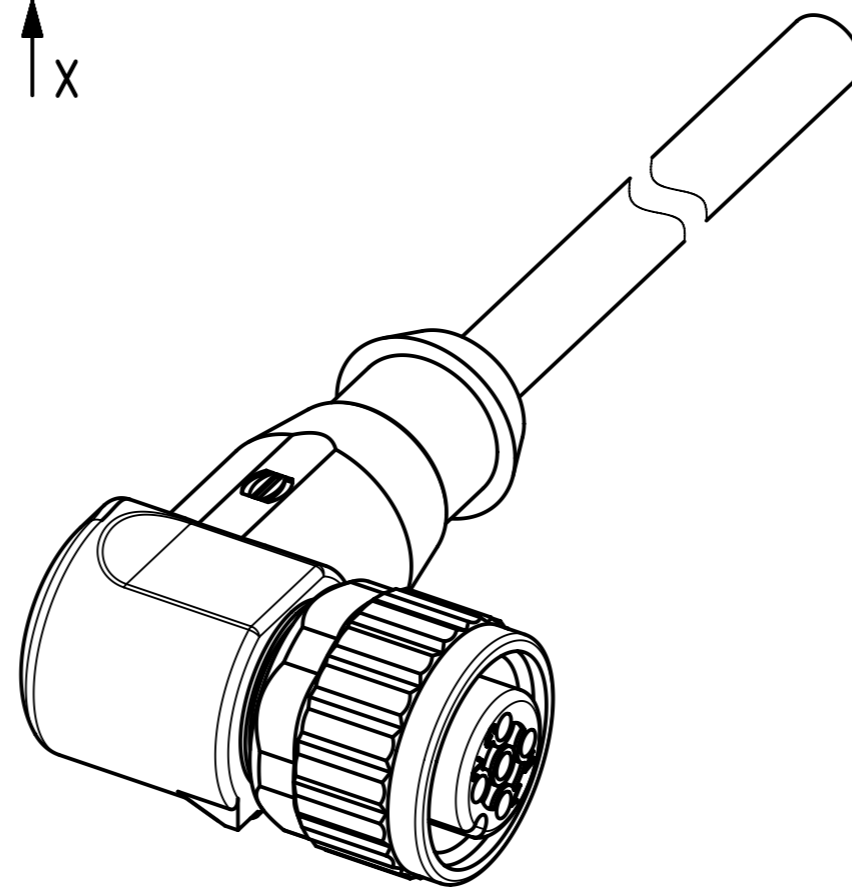


Loading-Plan:

- 1 brown
- 2 white
- 3 blue
- 4 black

- Protection level: IP67
 - Temperature range: -25°C ... +80°C



length in "1m" step	40	XXX=400
	39	XXX=390
	.	.
	12	XXX=120
	11	XXX=110
length in "0.1m" step	10	XXX=100
	9.9	XXX=099
	9.8	XXX=098
	.	.
	0.4	XXX=004
	0.3	XXX=003
	0.2	XXX=002
	0.1	XXX=001
Step	a [m]	XXX

4.0 to 40	+1%
0.1 to 3.9	+0.04
a [m]	Tolerance

Part no.	213487004XXXXX
----------	----------------

Type of cable	XX
PVC grey, 4x0.34mm ²	XX=84
PUR black, 4x0.34mm ²	XX=91

	All rights reserved		Created by TOMUTA		Inspected by AVRAM		Standardisation HOFFMANN		Date 2015-06-29		State Final Release	
	Department EC PD - RO		Title M12 A-coded Cable Assembly		Doc-Key / ECM-Nr. 100578836/UGD/009/B 50000090069		Rev. B		Page 1/1			
HARTING Electronics GmbH		Type TB		Number 213487004XXXXX								
D-32339 Espelkamp												