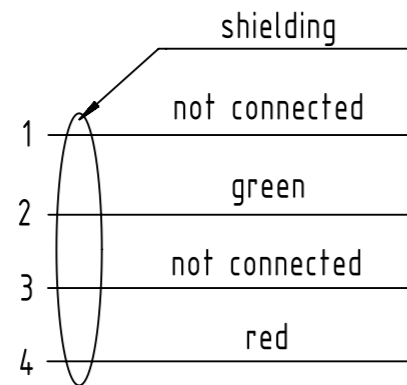
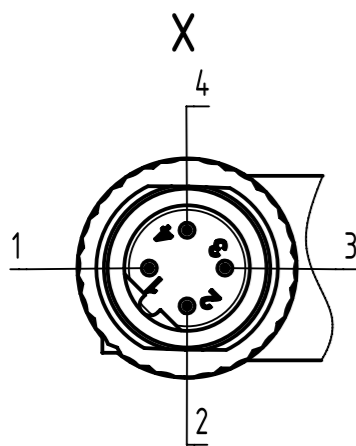
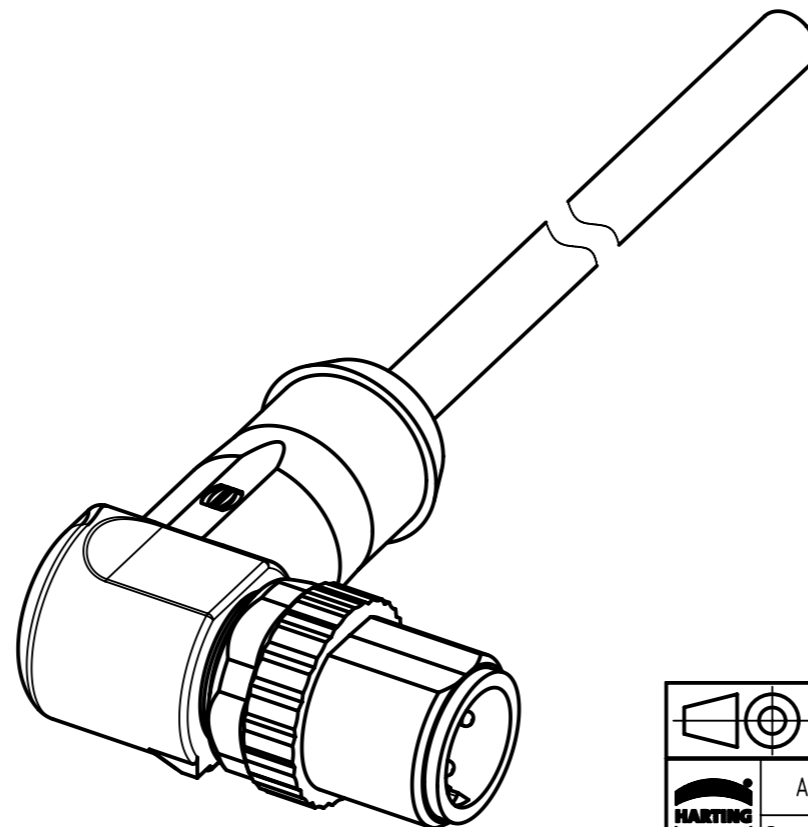


M12 B-coded 4-poles,  
male angled shielded connector

Loading-Plan:



- Protection level: IP67
- Temperature range: -30°C ... +80°C



length in "1m" step	40	XXX=400
	39	XXX=390
	.	.
	12	XXX=120
	11	XXX=110
length in "0.1m" step	10	XXX=100
	9.9	XXX=099
	9.8	XXX=098
	.	.
	0.4	XXX=004
	0.3	XXX=003
	0.2	XXX=002
0.1	XXX=001	
Step	a [m]	XXX

4.0 to 40	+1%
0.1 to 3.9	+0.04
a [m]	Tolerance

Part no.	213490004XXXXX
----------	----------------

Type of cable	XX
PVC violet, 2xAWG22	XX=86

	All rights reserved		Created by TOMUTA		Inspected by AVRAM		Standardisation KOHLER		Date 2014-07-16		State Final Release	
	Department EC PD - RO		Title M12 B-coded Cable Assembly		Doc-Key / ECM-Nr. 100580632/UGD/009/A 50000077557		Rev. A		Page 1/1			
HARTING Electronics GmbH		Type TB		Number 213490004XXXXX								
D-32339 Espelkamp												