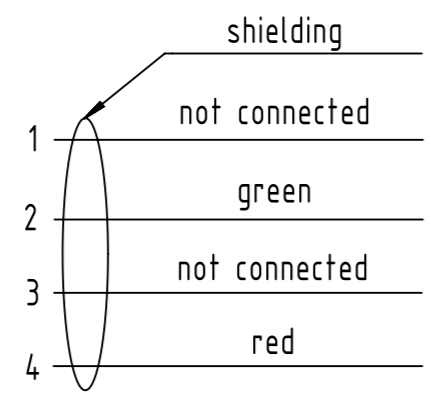
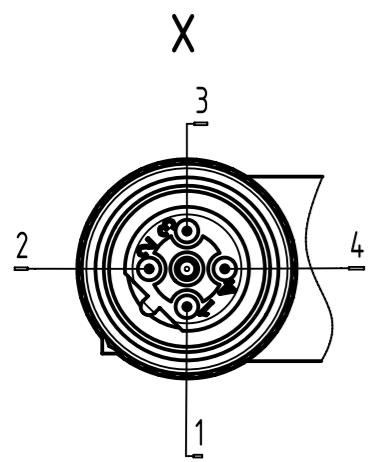
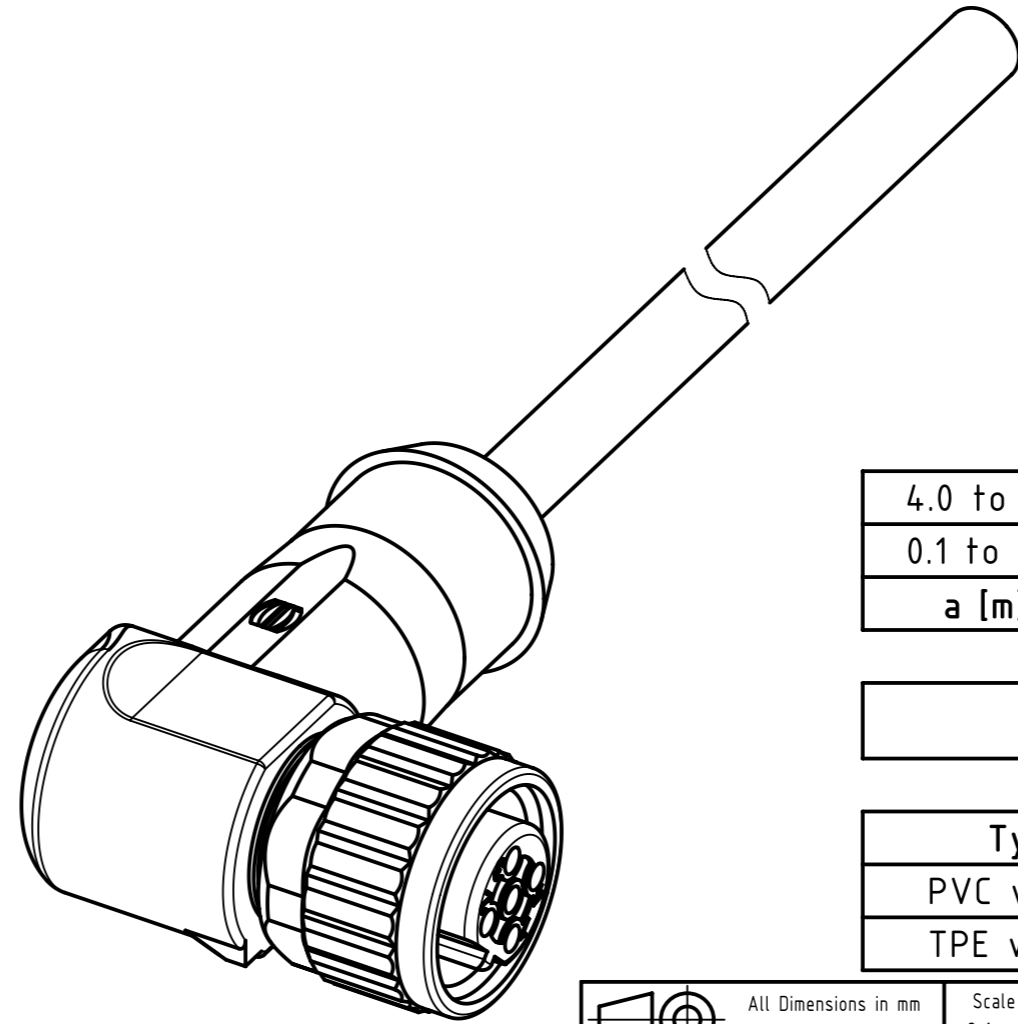


M12 B-coded 4-poles, female angled shielded connector

Loading-Plan:



- Protection level: IP67
 - Temperature range: -30°C ... +80°C



length in "1m" step	40	XXX=400
	39	XXX=390
	.	.
	12	XXX=120
length in "0.1m" step	11	XXX=110
	10	XXX=100
	9.9	XXX=099
	9.8	XXX=098
	.	.
	0.4	XXX=004
	0.3	XXX=003
	0.2	XXX=002
	0.1	XXX=001
Step	a [m]	XXX

4.0 to 40	+1%
0.1 to 3.9	+0.04
a [m]	Tolerance

Part no.	213491004.XXXXX
----------	-----------------

Type of cable	XX
PVC violet, 2xAWG22	XX=86
TPE violet, 2xAWG24	XX=87

All rights reserved Department EC PD - RO HARTING Electronics GmbH D-32339 Espelkamp	All Dimensions in mm Original Size DIN A3	Scale 2:1	Free size tol.	Ref. Sub.
	Created by TOMUTA	Inspected by AVRAM	Standardisation KOHLER	Date 2014-07-16
Title M12 B-coded Cable Assembly				Doc-Key / ECM-Nr. 100580594/UGD/009/A 50000077557
Type TB		Number 213491004XXXXX		Rev. A
				Page 1/1