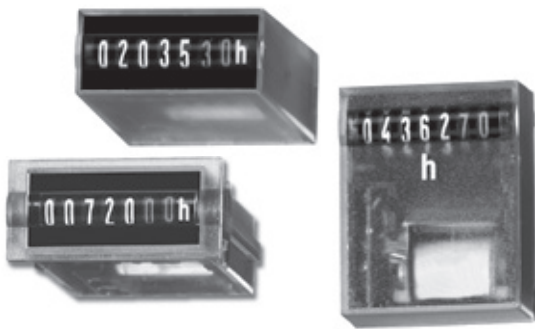


Hour meters / timers, electromechanical

Micro timers	Many different installation options (DC)	HK 07 / AHK 07
---------------------	---	-----------------------



The micro timers of the HK 07 and AHK 07 families offer a particularly large number of variants and can be used in many different applications thanks to their wide voltage range from 4.5 to 35 V DC.

Available as panel, base and PCB mount versions, they can be used in many different fields of application. Thanks to their encapsulated housing, these non-resettable counters are extremely tamper-proof.

Hour meters / Timers

<p>Characteristics</p> <ul style="list-style-type: none"> • 7-digit micro hour meter • High shock and impact resistance • Low power consumption; suitable for battery operation • Small dimensions – magnified large figures • Panel-mount counter with integrated spring clip • PCB-mount counter • Machine-solderable and wash-proof • Protection IP65 	<p>Benefits</p> <ul style="list-style-type: none"> • Wide voltage range 4.5 ... 35 V DC • Count retention in case of power failure • Long service life <p>Applications</p> <p>General time measurement, maintenance intervals for measuring instruments (respiration units, oxygen, dialysis), small appliances, UV lamps, display panels in vehicles</p>
---	--

Type series

Fig.	Mounting options	Display	Protection	El. connection	Housing	Height of fig.	Type
1)	Panel mount with latch	front side	IP65, front side	flying leads	plastic	4 mm	HK 07.20
2)	PCB mount, lying	on the top	IP65, front side/on rear	solder pins	plastic	4 mm	HK 07.90
4)	PCB mount, upright	front side	IP65, front side/on rear	solder pins	plastic	4 mm	HK 07.92
5)	Base mount, upright	front side	IP40	flying leads	plastic	4 mm	AHK 07.00

Mounting options and position of the display

<p>1) Panel mount / display front side</p>	<p>2) PCB mount, lying / display on the top</p>	<p>3) PCB mount, upright / display front side</p>
<p>4) Base mount, upright / display front side</p>	<p>Optional: PCB mount, hanging / display front side</p>	

Hour meters / timers, electromechanical

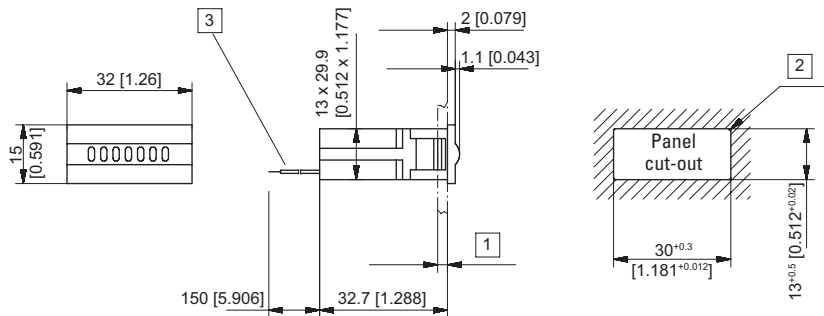
Micro timers	Many different installation options (DC)	HK 07 / AHK 07
---------------------	---	-----------------------

Technical data	
Electrical connection	panel mount flying leads, AWG 22 (red +, black -) approx. 150 mm, 6 mm stripped wire ends, tinned PCB mount solder pins 0.4 x 1.2 mm, tinned
Power consumption (every 36 s with a pulse length of 32 ms)	at $U_B = 5\text{ V DC}$ typ. 82 mW at $U_B = 12\text{ V DC}$ typ. 135 mW at $U_B = 24\text{ V DC}$ typ. 135 mW max. 170 mW
Rated voltage	4.5... 35 V DC
Residual ripple	< 1 %
Current consumption	< 1.5 mA (average)
On time	100 %
Pulse duration	32 ms; every 36 s = 0.01 h On-times < 36 s will not be counted
Number of digits	7: 99999.99 h
Accuracy	22.5 ppm at 25°C

Height of figures	1.2 x 4.0 mm
Colour of figures	white and red on black
Reset	no reset
Operating temperature	-10°C ... +60°C (non-condensing)
Mounting position	horizontal, other on request
Solderable and washproof versions	HK 07.90, HK 07.91, HK 07.92
Soldering temperature	265°C, 3 s
Protection	up to IP65 depending on kind of type
EMC	Emitted interference EN 55011 class B Immunity to interference EN 61000-6-2
Housing	plastic PC (Polycarbonate)
Weight	15 ... 18 g

Options	
HK 07.20 flat pin 0.8 x 2.8 mm (other on request)	

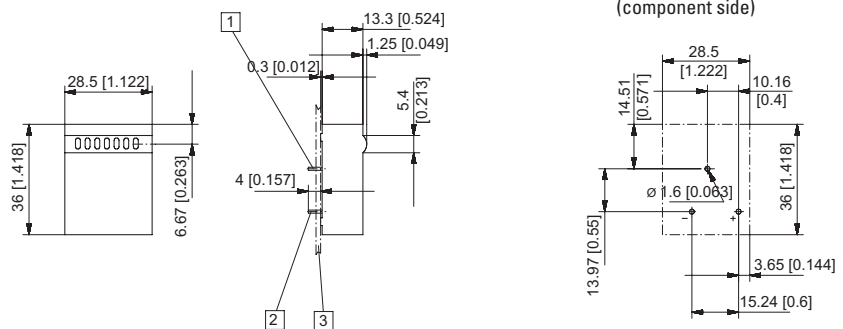
Panel mount with latch / display front side Type HK 07.20



1] 1.2 ... 3 mm 2] $R_{max} 0.5$ 3] Flying leads (red+ / black-)

Type	Display	Art.-No.
		4.5 ... 35 V DC
HK 07.20	7 digits	3.100.200.383 ¹⁾
HK 07.20.35 with flat pins	7 digits	3.107.200.383 ¹⁾

PCB mount, lying / display on the top Type HK 07.90



1] Mounting pin without el. function 0.4 x 1.2 mm 2] Electrical connection 0.4 x 1.2 mm 3] PCB

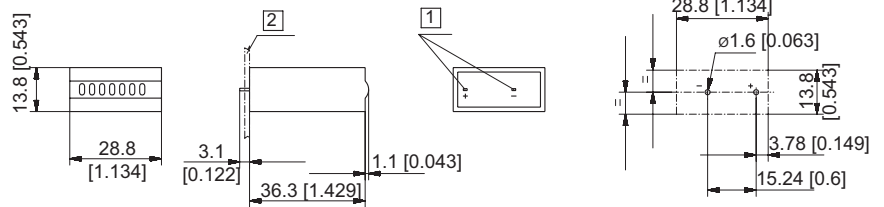
Type	Display	Art.-No.
		4.5 ... 35 V DC
HK 07.90	7 digits	3.100.900.383

Hour meters / timers, electromechanical

Micro timers **Many different installation options (DC)** **HK 07 / AHK 07**

PCB mount, upright / display front side
Type HK 07.92

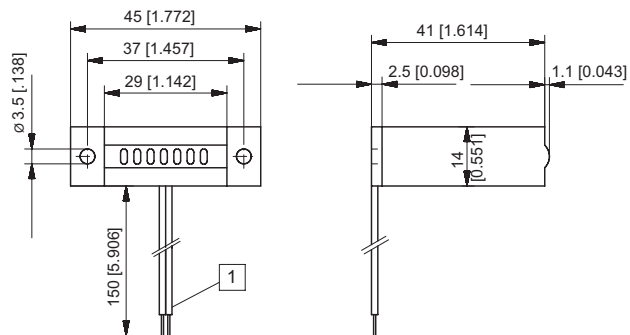
Punching diagram for PCB
(component side)



1 Electrical connection 0.4 x 1.2 mm 2 PCB

Type	Display	Art.-No.
HK 07.92	7 digits	4.5 ... 35 V DC 3.100.920.383

Base mount, upright / display front side
Type AHK 07.00



1 Flying leads (red+ / black-)

Type	Display	Art.-No.
AHK 07.00	7 digits	4.5 ... 35 V DC 3.100.000.383