

Hour meters / timers, electromechanical

Dual function counters	Pulse + time (AC+DC)	HC 77
------------------------	----------------------	-------



The counter combinations HC 77 and HC 77.55 comprise an hour meter and a totaliser. They can be controlled both simultaneously and separately.

These panel mount counters have a reduced mounting depth. They can be used in many different fields of application.

Optionally with 2 hour meters on request.

Hour meters / Timers

Characteristics	Benefits
<ul style="list-style-type: none"> Hour meter and totaliser in one single device Without reset High shock resistance Magnified large figures Protection IP52 front side (optional IP65) Data retention in case of power failure UL-approved 	<ul style="list-style-type: none"> Long service life Optional: counters controlled separately
Applications	<p>General time measurement, maintenance intervals for measuring instruments (respiration units, oxygen, dialysis), small appliances, UV lamps, display panels in vehicles, lifts, heating burners</p>

Type series		
Description	Type	Options
Dual function counter 48 x 48 mm	HC 77	<ul style="list-style-type: none"> Colour of housing grey Art.-No. 3.55X.400.XXX
With adapter front bezel 55 x 55 mm	HC 77.55	<ul style="list-style-type: none"> Flat pin 0.8 x 6.3 mm Art.-No.: 3.55X.40X.XXX.011 Separate connections for running time meter and adding counter. This model is available for AC or DC (not mixed) Adding counter max. 10 Hz Electrical connection: 2 x cable 2 x 0.5 mm² NYFAZ, 0.5 m long (hour meter cable red/black, adding counter grey cable) Art.-No. 3.55X.40X.XXX.060 Sealed window (IP65 front side) with: <ul style="list-style-type: none"> Screw terminal Art.-No. 3.55X.40X.XXX.419 Flat pin 0.8 x 6.3 mm Art.-No. 3.55X.40X.XXX.062 Separated connections (cable) Art.-No. 3.55X.40X.XXX.061 Counter combination with 2 hour meters 10 ... 30 V DC Art.-No. 3.554.401.351.060
Order information:		
Art.-No. (for special voltages etc. indicate exact model, voltage and frequency e.g. HC 77, 120 V AC, 60 Hz)		

Accessories		Order-No.
Adapter front bezel, 55 x 55 mm	For cut-out 50 x 50 mm to cut-out \varnothing 50.5 mm, with clip mounting for counters 48 x 48 mm	black T008171
Adapter front bezel, 60 x 75 mm	For cut-out 50 x 50 mm to cut-out 45 x 45 mm, with screw mounting for counters 48 x 48 mm	black T008860
Adapter front bezel, 72 x 72 mm	For cut-out 68 x 68 mm to cut-out 45 x 45 mm, (Mating clip T009420 must be ordered separately)	black T008177
Adapter front bezel, \varnothing 72 mm	For cut-out \varnothing 60 mm to 45 x 45 mm, with clip mounting for counters 48 x 48 mm	black N510226

Suitable gaskets as well as further accessories can be found in the accessories section or in the accessories area of our website at: www.kuebler.com/accessories.

Hour meters / timers, electromechanical

Dual function counters Pulse + time (AC+DC) HC 77

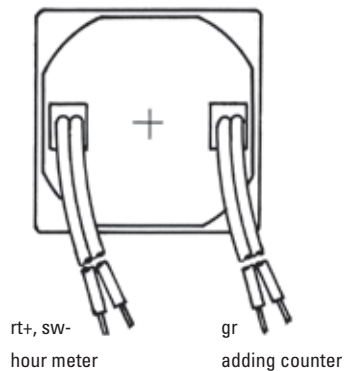
General technical data		
Operating indicator of the running time meter	AC	fast rotating wheel with red dashes : 99999.99 h
	DC	1/100 h display turns continuously by 1 digit in 36 s : 999999.99 h
Height of figures	4 x 1.7 mm optical	
Colour of figures	hour meter	hour: white on black
	pulse counter	decimal: red on black white on black
Operating temperature	-15°C ... +50°C (non-condensing)	
Mounting position	any	

Mechanical characteristics		
Protection	IP52 (front side) when built in	
Colour of housing	black (standard)	
Weight	HC 77	65 g
	plug in frame 55	8 g
	plug in frame 72	13 g

Electrical characteristics		
Electrical connection	screw terminal (tightening torque max. 0.8 Nm)	
Power consumption	10 ... 30 V DC	approx. 1 W
	36 ... 80 V DC	approx. 1.65 W
	100 ... 130 V DC	approx. 1.75 W
	20 ... 30 V AC, 50 Hz	approx. 0.53 VA
	42 ... 48 V AC, 50 Hz	approx. 0.53 VA
	100 ... 130 V AC, 50 Hz	approx. 1.43 VA
Rated voltages	AC (50 or 60 Hz)	20 ... 30/42 ... 48/100 ... 130/187 ... 264 V
	DC	10 ... 30/36 ... 80/100 ... 130 V
On time	100 %	
Count mode	adding	
Accuracy	AC	supply frequency + 30 ms
	DC	< 0.003 % (at 24 h)
Reset	no reset	
EMC	Emitted interference	EN 55011 class B
	Immunity to interference	EN 61000-6-2
Device safety	Designed to	EN 61010 part 1
	Protection class	2
	Application area	Pollution level 2
UL approval	E128604	

Terminal assignment

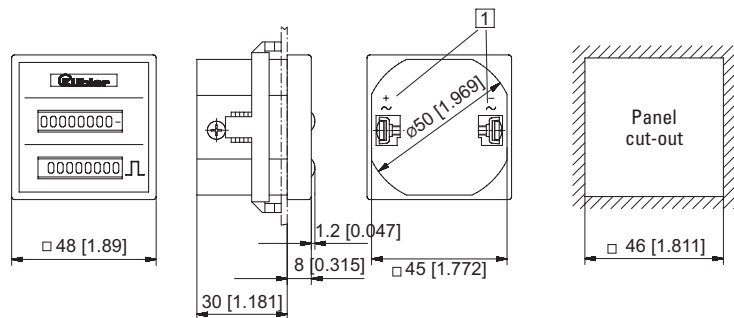
Counter with separate connections (rear view)



Hour meters / timers, electromechanical

Dual function counters	Pulse + time (AC+DC)	HC 77
-------------------------------	-----------------------------	--------------

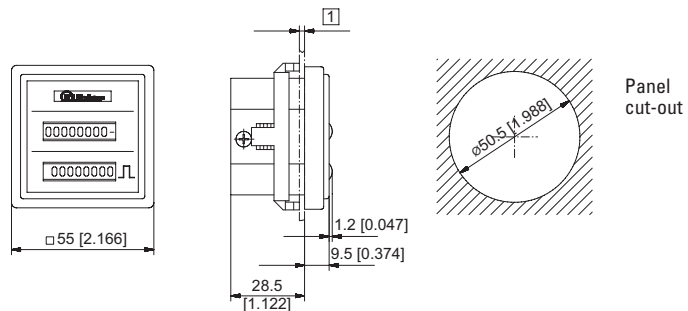
Dual function counter 48 x 48 mm
Type HC 77



1) Screw terminal with flat pin 0.8 x 6.3

Type	Display	Voltage	Art.-No.					
			10 ... 30 V	20 ... 30 V	36 ... 80 V	42 ... 48 V	100 ... 130 V	187 ... 264 V
HC 77	7/8 digits	AC (50 Hz)		3.550.401.071 ¹⁾		3.550.401.072	3.550.401.074 ¹⁾	3.550.401.075 ¹⁾
		AC (60 Hz)		3.550.401.081		3.550.401.082	3.550.401.084	3.550.401.085
		DC	3.550.401.351 ¹⁾		3.550.401.353		3.550.401.381	
Colour of housing grey:			Art.-No.		3.550.400.XXX			
Further stock types:			with separate connections		3.550.401.060			

Dual function counter 48 x 48 mm
with adapter front bezel 55 x 55 mm
Type HC 77.55



1) max. 6.5

Type	Display	Voltage	Art.-No.					
			10 ... 30 V	20 ... 30 V	36 ... 80 V	42 ... 48 V	100 ... 130 V	187 ... 264 V
HC 77.55	7-/8 digits	AC (50 Hz)		3.551.401.071		3.551.401.072	3.551.401.074	3.551.401.075
		AC (60 Hz)		3.551.401.081		3.551.401.082	3.551.401.084	3.551.401.085
		DC	3.551.401.351		on request		3.551.401.381	
Colour of housing grey:			Art.-No.		3.551.400.XXX			