

# STEGOJET

## SJ 019



- > Prevents heat pockets
- > Wide voltage range
- > Compact design

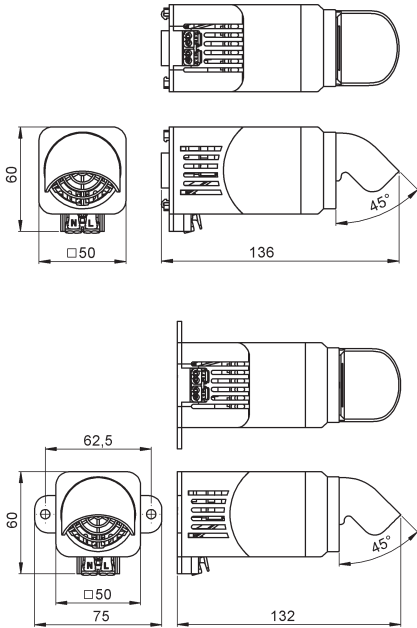
- > Quick connection
- > Clip or screw fixing

The STEGOJET is a compact, powerful built-in fan. It allows precise cooling of heat sources. The air flow prevents formation of heat pockets. Its design allows a rotation range of almost 180°.

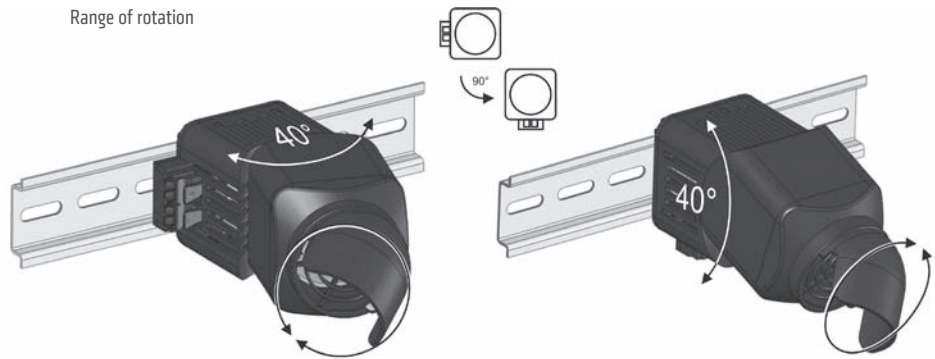


### TECHNICAL DATA

<b>Axial fan, ball bearing</b>	air flow 27.5m <sup>3</sup> /h, free flow service life 40,000h at +60°C (+140°F), 90% RH
<b>Power consumption</b>	4W
<b>Connection</b>	2-pole dual pressure clamp for rigid wire 2.5mm <sup>2</sup> , stranded wire (with wire end ferrule) 1.5mm <sup>2</sup>
<b>Casing</b>	plastic according UL94 V-0, black
<b>Mounting</b>	clip for 35mm DIN rail, EN 60715 or screw fixing (M5), torque 2Nm max., washers have to be used
<b>Fitting position</b>	variable
<b>Dimensions</b>	132 x 75 x 60mm
<b>Weight</b>	approx. 0.2kg
<b>Operating/Storage temperature</b>	-10 to +60°C (+14 to +140°F)/-30 to +70°C (-22 to +158°F)
<b>Operating/Storage humidity</b>	max. 90% RH (non-condensing)
<b>Protection type/Protection class</b>	IP20 / II (double insulated)
<b>Approvals</b>	VDE + UL intended



Range of rotation



Art. No.	Model	Operating voltage
01925.0-00	Clip fixing	100-240VAC, 50/60Hz (min. 90VAC, max. 265VAC)
01925.0-01	Screw fixing	100-240VAC, 50/60Hz (min. 90VAC, max. 265VAC)