

COMPACT PUSH WIRE® connector for junction boxes; 2-conductor terminal block; transparent housing; white cover

Item No.: 2273-202



COMPACT PUSH WIRE® connector for junction boxes; 2-conductor terminal block; transparent housing; white cover

Marking

RoHS ✓
Compliant

Business data

Supplier	WAGO
Item no.	2273-202
GTIN / EAN	4050821027843
Content	1
Order amount	100
Customer item number	

Notes

Technical data

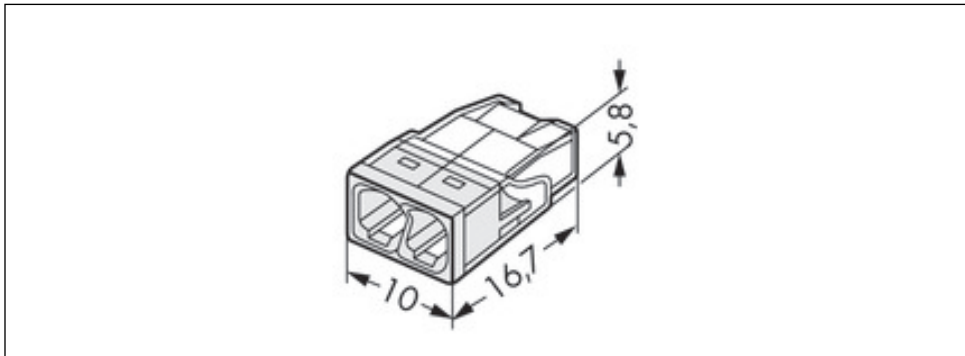
Miscellaneous

Total number of connection points	2
Total number of potentials	1
Pollution degree (1)	2
Rated voltage EN (1) [V]	450 [V]
Rated surge voltage (1) [kV]	4 [kV]
Nominal current [A]	24 [A]
Connection technology (1)	PUSH WIRE®
Solid sizes 1	0.5 ... 2.5 mm ² / 18 ... 14 AWG
Strip length 1	11 mm / 0.43 in

Technical data	
<i>Type of wiring</i>	<i>Side-entry wiring</i>
<i>Fire load [MJ]</i>	<i>0.014 [MJ]</i>
<i>Weight [g]</i>	<i>0.713 [g]</i>
<i>Width</i>	<i>10 mm / 0.394 in</i>
<i>Height</i>	<i>5.8 mm / 0.228 in</i>
<i>Length</i>	<i>16.7 mm / 0.657 in</i>
<i>Safety information 1</i>	<i>In grounded power lines</i>

Images & drawings





Address

WAGO Kontakttechnik GmbH & Co. KG

Hansastr. 27

32423 Minden

Telefon: 0571/887-0

Fax: 0571/887-169

<http://www.wago.com>

© WAGO Kontakttechnik GmbH & Co. KG

Technische Änderungen und Irrtümer vorbehalten.