

Printview: 1-conductor PCB terminal block; 2 solder pins/pole; 1-pole; pin spacing 5/5.08 mm / 0.2 in; modular - Item No.: 254-846

WAGO® online catalog / eShop

1-conductor PCB terminal block; 2 solder pins/pole; 1-pole; pin spacing 5/5.08 mm / 0.2 in; modular

Item No.: 254-846



1-conductor PCB terminal block; 2 solder pins/pole; 1-pole; pin spacing 5/5.08 mm / 0.2 in; modular

Marking

RoHS ✓
Compliant

Business data

Supplier	WAGO
Item no.	254-846
GTIN / EAN	4044918942751
Content	1
Order amount	100
Customer item number	

Notes

Modular terminal blocks with screwdriver-actuated PUSH WIRE® for custom terminal strip assemblies Push-in termination of solid and ferruled, fine-stranded conductors Test socket for 2mm Ø test plug Saves space on the PCB, just 8.9mm deep Also available with 2-conductor connection

Technical data

Miscellaneous	
No. of poles	1
Pin spacing	5/5.08 mm / 0.2 in
Total number of connection points	1
Total number of potentials	1
Color	orange
Ratings according to 1	IEC/EN 60664-1
Overvoltage category EN 1	III

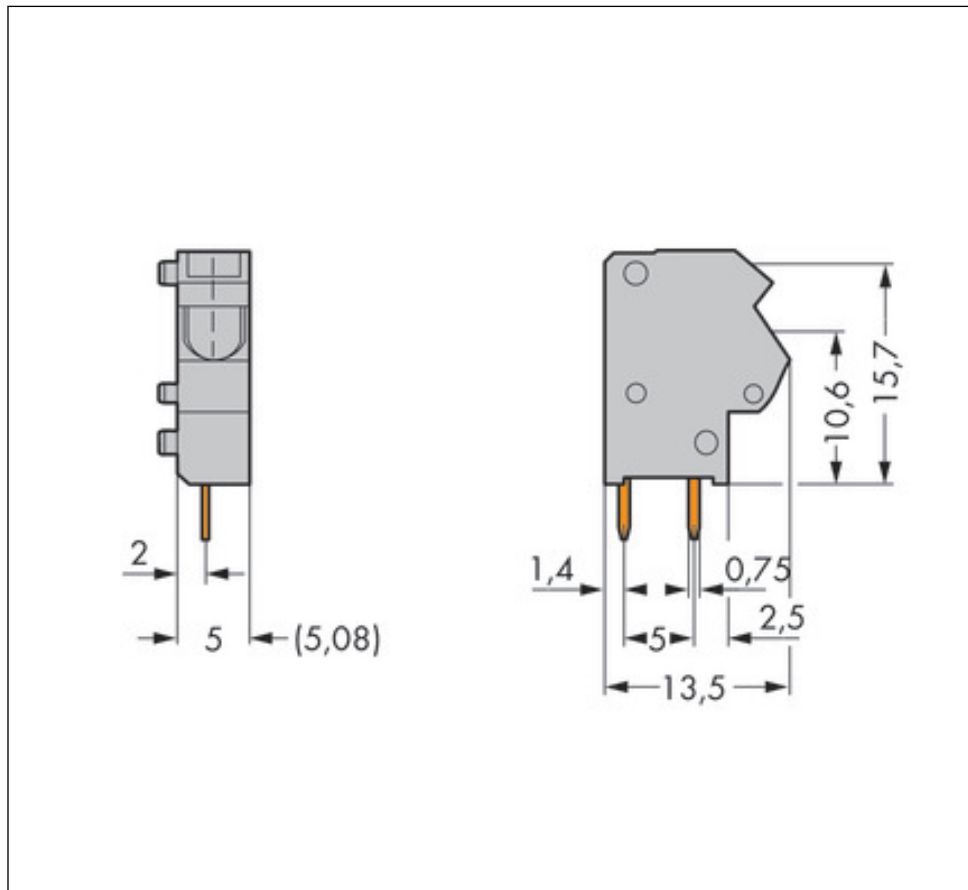
Technical data	
<i>Pollution degree (1)</i>	2
<i>Rated voltage EN (1) [V]</i>	320 [V]
<i>Rated surge voltage (1) [kV]</i>	4 [kV]
<i>Nominal current [A]</i>	24 [A]
<i>Overvoltage category EN 2</i>	II
<i>Degree of pollution (2)</i>	2
<i>Rated voltage EN (2) [V]</i>	630 [V]
<i>Rated surge voltage (2) [kV]</i>	4 [kV]
<i>Nominal current (2) [A]</i>	24 [A]
<i>Overvoltage category EN 3</i>	III
<i>Degree of pollution (3)</i>	3
<i>Rated voltage EN (3) [V]</i>	320 [V]
<i>Rated surge voltage (3) [kV]</i>	4 [kV]
<i>Nominal current (3) [A]</i>	24 [A]
<i>Number of individual connection objects at the product</i>	1
<i>Connection technology (1)</i>	PUSH WIRE®
<i>Solid sizes 1</i>	0.5 ... 2.5 mm ² / 20 ... 12 AWG
<i>Fine-stranded wires with insulated ferrule 1</i>	0.5 ... 1.5 mm ² / ...
<i>Fine-stranded wires with uninsulated ferrule 1</i>	0.5 ... 1.5 mm ² / ...
<i>Strip length 1</i>	10 ... 12 mm / 0.39 ... 0.47 in
<i>Conductor entry angle to the PCB 1 [°]</i>	45 [°]
<i>Type of wiring</i>	Front-entry wiring
<i>Solder pin arrangement</i>	in line
<i>Solder pin length [mm]</i>	4 [mm]
<i>Solder pin width A [mm]</i>	0.5 [mm]
<i>Solder pin width B [mm]</i>	0.75 [mm]
<i>Drilled hole diameter (tolerance) [mm]</i>	1.1(+ 0.1) [mm]
<i>Material group</i>	I
<i>Insulating material</i>	Polyamide 66 (PA 66)
<i>Flammability rating per UL 94</i>	V0
<i>Limit temperature range</i>	-60 C ... 105 C
<i>Clamping spring material</i>	Chrome-nickel spring steel (CrNi)
<i>Contact material</i>	Electrolytic copper (Ecu)
<i>Contact plating</i>	tin-plated

Printview: 1-conductor PCB terminal block; 2 solder pins/pole; 1-pole; pin spacing 5/5.08 mm / 0.2 in;
modular - Item No.: 254-846

Technical data	
<i>Fire load [MJ]</i>	<i>0.017 [MJ]</i>
<i>Weight [g]</i>	<i>1.064 [g]</i>
<i>Width</i>	<i>6.7 mm / 0.264 in</i>
<i>Height</i>	<i>19.7 mm / 0.776 in</i>
<i>Height from the surface</i>	<i>15.7 mm / 0.618 in</i>
<i>Length</i>	<i>13.5 mm / 0.531 in</i>

Images & drawings





Address

WAGO Kontakttechnik GmbH & Co. KG

Hansastr. 27

32423 Minden

Telefon: 0571/887-0

Fax: 0571/887-169

<http://www.wago.com>

© WAGO Kontakttechnik GmbH & Co. KG

Technische Änderungen und Irrtümer vorbehalten.