

PCB terminal strip; 2 solder pins/pole; 2-pole; pin spacing 5/5.08 mm / 0.2 in; with push-button

Item No.: 255-402



PCB terminal strip; 2 solder pins/pole; 2-pole; pin spacing 5/5.08 mm / 0.2 in; with push-button

Marking

RoHS ✓
Compliant

Business data

| | |
|----------------------|---------------|
| Supplier | WAGO |
| Item no. | 255-402 |
| GTIN / EAN | 4044918658546 |
| Content | 1 |
| Order amount | 100 |
| Customer item number | |

Notes

Terminal strips with push-button actuated CAGE CLAMP® Also available with Ex e approval Set to metric or inch pin spacing by compressing terminal strips together or pulling them apart Ideal for in-the-field wiring thanks to simplified push-button actuation Convenient, tool-free operation

Technical data

Miscellaneous

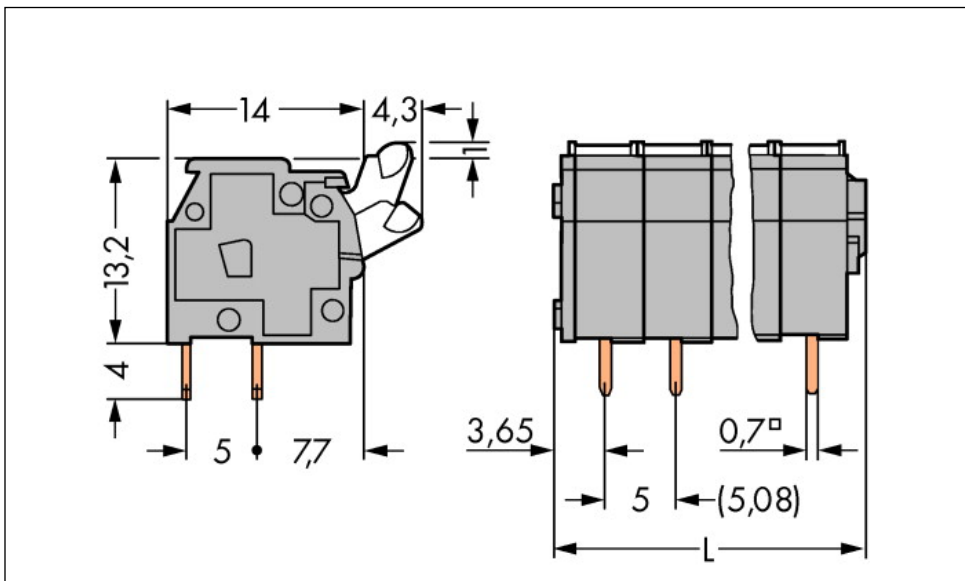
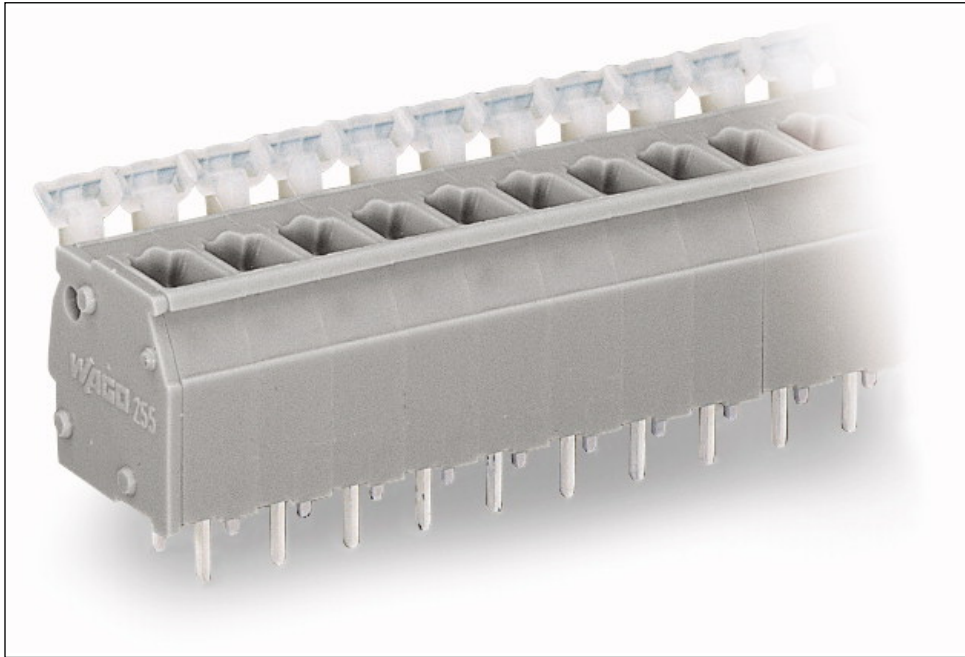
| | |
|-----------------------------------|--------------------|
| No. of poles | 2 |
| Pin spacing | 5/5.08 mm / 0.2 in |
| Total number of connection points | 2 |
| Total number of potentials | 2 |
| Color | gray |
| Ratings according to 1 | IEC/EN 60664-1 |
| Overvoltage category EN 1 | III |

| Technical data | |
|---|--|
| <i>Pollution degree (1)</i> | 2 |
| <i>Rated voltage EN (1) [V]</i> | 320 [V] |
| <i>Rated surge voltage (1) [kV]</i> | 4 [kV] |
| <i>Nominal current [A]</i> | 24 [A] |
| <i>Overvoltage category EN 2</i> | II |
| <i>Degree of pollution (2)</i> | 2 |
| <i>Rated voltage EN (2) [V]</i> | 630 [V] |
| <i>Rated surge voltage (2) [kV]</i> | 4 [kV] |
| <i>Nominal current (2) [A]</i> | 24 [A] |
| <i>Overvoltage category EN 3</i> | III |
| <i>Degree of pollution (3)</i> | 3 |
| <i>Rated voltage EN (3) [V]</i> | 320 [V] |
| <i>Rated surge voltage (3) [kV]</i> | 4 [kV] |
| <i>Nominal current (3) [A]</i> | 24 [A] |
| <i>Number of individual connection objects at the product</i> | 1 |
| <i>Connection technology (1)</i> | CAGE CLAMP® |
| <i>Solid sizes 1</i> | 0.08 ... 2.5 mm ² / 28 ... 12 AWG |
| <i>Fine-stranded wires 1</i> | 0.08 ... 2.5 mm ² / 28 ... 12 AWG |
| <i>Fine-stranded wires with insulated ferrule 1</i> | 0.25 ... 1.5 mm ² / ... |
| <i>Fine-stranded wires with uninsulated ferrule 1</i> | 0.25 ... 1.5 mm ² / ... |
| <i>Strip length 1</i> | 5 ... 6 mm / 0.2 ... 0.24 in |
| <i>Conductor entry angle to the PCB 1 [°]</i> | 90 [°] |
| <i>Type of wiring</i> | Front-entry wiring |
| <i>Solder pin arrangement</i> | in line |
| <i>Solder pin length [mm]</i> | 4 [mm] |
| <i>Solder pin width A [mm]</i> | 0.7 [mm] |
| <i>Solder pin width B [mm]</i> | 0.7 [mm] |
| <i>Drilled hole diameter (tolerance) [mm]</i> | 1.1(+ 0.1) [mm] |
| <i>Material group</i> | I |
| <i>Insulating material</i> | Polyamide 66 (PA 66) |
| <i>Flammability rating per UL 94</i> | V0 |
| <i>Limit temperature range</i> | -60 C ... 105 C |
| <i>Clamping spring material</i> | Chrome-nickel spring steel (CrNi) |
| <i>Contact material</i> | Electrolytic copper (Ecu) |

Printview: PCB terminal strip; 2 solder pins/pole; 2-pole; pin spacing 5/5.08 mm / 0.2 in; with push-button -
Item No.: 255-402

| Technical data | |
|--------------------------------|---------------------------|
| <i>Contact plating</i> | <i>tin-plated</i> |
| <i>Fire load [MJ]</i> | <i>0.04 [MJ]</i> |
| <i>Weight [g]</i> | <i>2.564 [g]</i> |
| <i>Width</i> | <i>12.9 mm / 0.508 in</i> |
| <i>Height</i> | <i>18.2 mm / 0.717 in</i> |
| <i>Height from the surface</i> | <i>14.2 mm / 0.559 in</i> |
| <i>Length</i> | <i>18.3 mm / 0.72 in</i> |

Images & drawings



Address

WAGO Kontakttechnik GmbH & Co. KG

Hansastr. 27

32423 Minden

Telefon: 0571/887-0

Fax: 0571/887-169

<http://www.wago.com>

© WAGO Kontakttechnik GmbH & Co. KG

Technische Änderungen und Irrtümer vorbehalten.