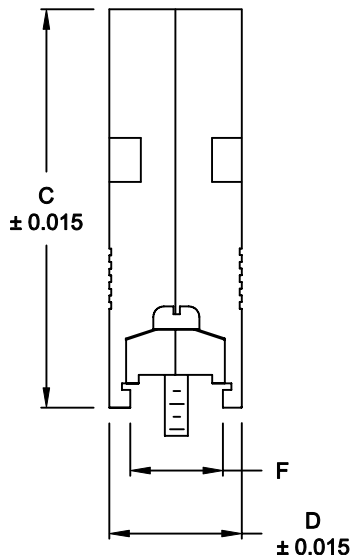
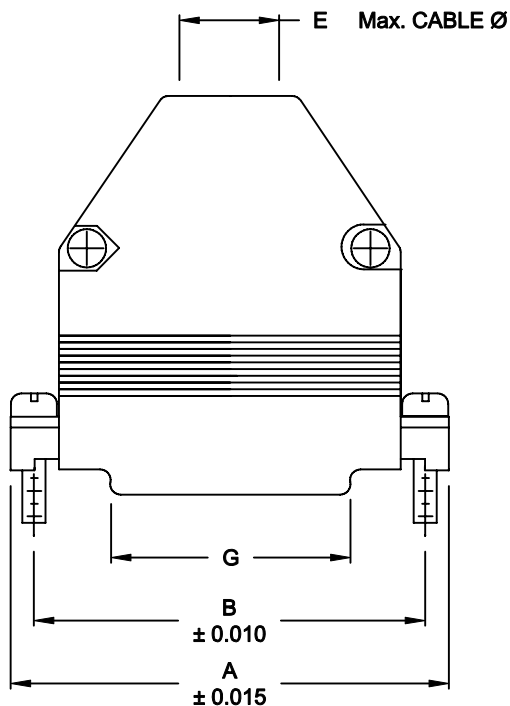


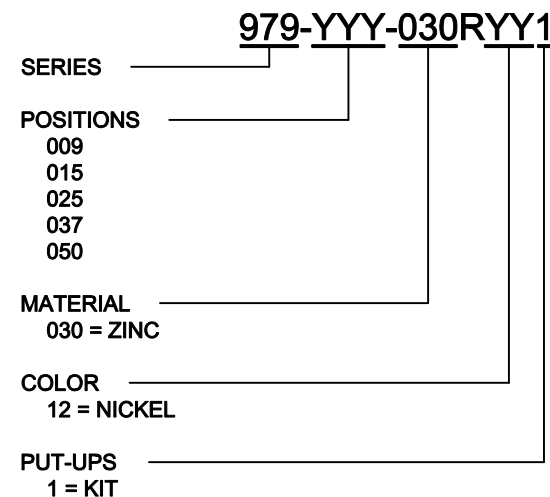
DESCRIPTION: 979 SERIES D-SUB BACKSHELL

BACKSHELL KIT INCLUDES:

- (2) BACKSHELL HALVES
- (2) 4-40 MATING SCREW
- (2) SADDLE WASHERS
- (2) HOUSING SCREWS
- (2) HOUSING NUTS
- (1) GROMMET TREE - VARIOUS SIZES
(NON-CONDUCTIVE GROMMETS)



| DIMENSIONS (IN.) | | | | | | | |
|------------------|-------|-------|-------|-------|-------|-------|-------|
| No. OF PINS | A | B | C | D | E | F | G |
| 9 | 1.225 | 0.984 | 1.900 | 0.630 | 0.415 | 0.410 | 0.323 |
| | 31.12 | 24.99 | 48.26 | 16.00 | 10.54 | 10.41 | 8.20 |
| 15 | 1.553 | 1.312 | 1.900 | 0.630 | 0.415 | | |
| | 39.44 | 33.32 | 48.26 | 16.00 | 10.54 | | |
| 25 | 2.100 | 1.852 | 1.900 | 0.630 | 0.415 | 0.390 | 1.178 |
| | 53.34 | 47.04 | 48.26 | 16.00 | 10.54 | 9.91 | 29.92 |
| 37 | 2.730 | 2.500 | 1.900 | 0.630 | 0.620 | | |
| | 69.34 | 63.50 | 48.26 | 16.00 | 15.74 | | |
| 50 | 2.640 | 2.406 | 1.900 | 0.770 | 0.730 | | |
| | 67.06 | 61.11 | 48.26 | 19.56 | 18.54 | | |



RoHS COMPLIANT

MATERIAL: DIE-CAST ZINC ALLOY
PLATING: NICKEL

| | | | | |
|----------------|---|---------------------------------|------------------------------|-------------------------|
| | THESE DRAWINGS AND SPECIFICATIONS ARE THE PROPERTY OF NorComp AND SHALL NOT BE REPRODUCED, COPIED OR USED AS THE BASIS FOR THE MANUFACTURE OR SALE OF APPARATUS WITHOUT WRITTEN PERMISSION. | | DRAWN: PAM JENKINS | DATE: 6-10-05 |
| | | | | CHECKED: |
| NorComp | | SCALE | SHEET OF | REV 2 |
| | | DWG NO. 979 -YYY-030R121 | | |