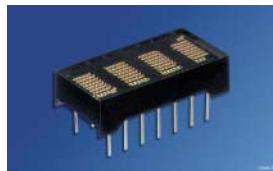


X/Y Stackable 0.180" 4-Digit 5x7 Dot Matrix Alphanumeric Intelligent Display® Devices with Memory/Decoder/Driver

Lead (Pb) Free Product - RoHS Compliant

Red	SLR2016
Super-red	SLO2016
Green	SLG2016
Yellow	SLY2016



DESCRIPTION

The SLR/SLO/SLG/SLY2016 is a four digit 5 x 7 dot matrix display module with a built-in CMOS integrated circuit. This display is X/Y stackable.

The integrated circuit contains memory, a 128 ASCII ROM decoder, multiplexing circuitry and drivers. Data entry is asynchronous. A display system can be built using any number of SLR/SLO/SLG/SLY2016 since each digit can be addressed independently and will continue to display the character last stored until replaced by another.

System interconnection is very straightforward. Two address bits (A0, A1) are normally connected to the like-named inputs of all displays in the system.

Data lines are connected to all SLR/SLO/SLG/SLY2016s directly and in parallel as is the write line (\overline{WR}). The display will then behave as a write-only memory.

The SLR/SLO/SLG/SLY2016 has several features superior to competitive devices. 100% burn-in processing insures that the SLR/SLO/SLG/SLY2016 will function in more stressful assembly and use environments. True "blinking" allows the designer to dim the display for more flexibility of display presentation. Finally the \overline{CLR} clear function will clear the ASCII character RAM.

The character set consists of 128 special ASCII characters for English, German, Italian, Swedish, Danish, and Norwegian.

All products are 100% burned-in and tested, then subjected to out-going AQLs of 0.25% for brightness matching, visual alignment and dimensions, 0.065% for electrical and functional.

FEATURES

- Very Close Multi-line Spacing, 0.4" Centers
- 4.72 mm (0.180") 5 x 7 Dot Matrix Characters
- 128 Special ASCII Characters for English, German, Italian, Swedish, Danish, and Norwegian Languages
- Wide Viewing Angle: X axis 50° Maximum, Y Axis \pm 75° Maximum
- Fast Access Time, 110 ns at 25°C
- Full Size Display for Stationary Equipment
- Built-in Memory
- Built-in Character Generator
- Built-in Multiplex and LED Drive Circuitry
- Direct Access to Each Digit Independently and Asynchronously
- Clear Function that Clears Character Memory
- True Blanking for Intensity Dimming Applications
- End-stackable, 4-Character Package
- Intensity Coded for Display Uniformity
- Extended Operating Temperature Range:
- 40°C to +85°C
- Superior ESD Immunity
- 100% Burned-in and Tested
- Wave Solderable
- TTL Compatible over Operating Temperature Range

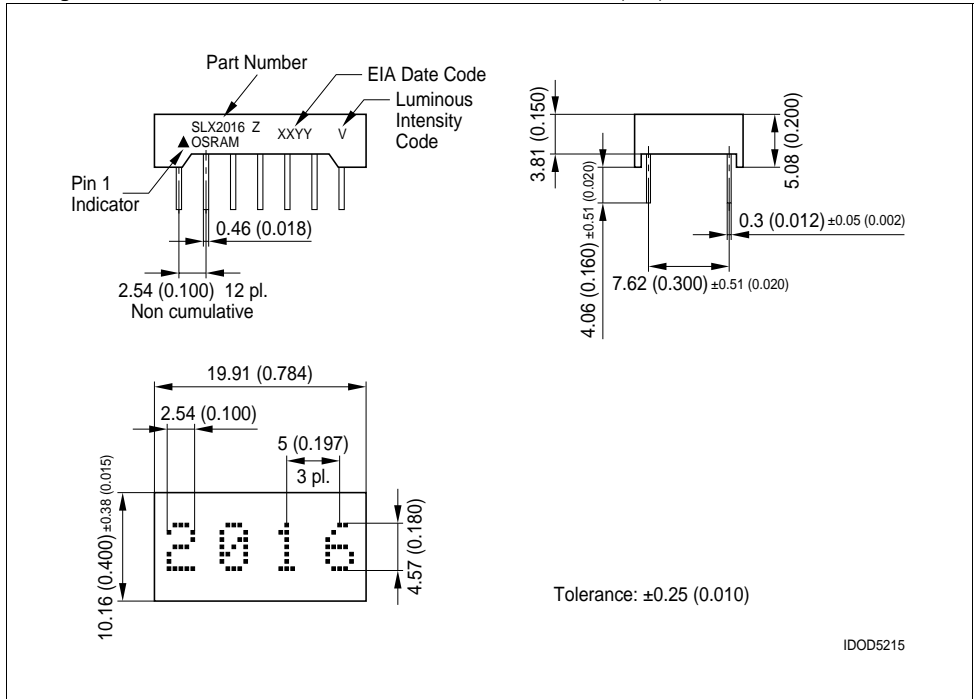
See Appnotes 18, 19, 22, and 23 at www.osram-os.com for additional information.

Ordering Information

Type	Color of Emission	Character Height mm (inch)	Ordering Code
SLR2016	standard red	4.72 (0.180)	Q68000A8640
SLO2016	super-red		Q68000A8641
SLG2016	green		Q68000A8642
SLY2016	yellow		Q68000A8643

Package Outlines

Dimensions in mm (inch)



Maximum Ratings

Parameter	Symbol	Value	Unit
Operating temperature range	T_{op}	- 40 ... + 85	°C
Storage temperature range	T_{stg}	- 40 ... + 100	°C
DC Supply Voltage	V_{CC}	-0.5 to + 7.0	V
Input Voltage, Respect to GND (all inputs)		-0.5 to V_{CC} +0.5	V
Solder Temperature 1.59 mm (0.063") below seating plane, $t < 5.0$ s	T_S	260	°C
Relative Humidity		85	%

Optical Characteristics at 25°C

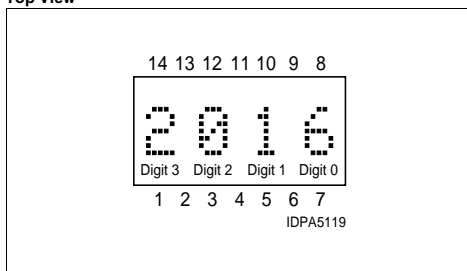
(V_{CC} =5.0 V at 100% brightness level, viewing angle: X axis $\pm 50^\circ$, Y axis $\pm 75^\circ$)

Description	Symbol	Values				Unit
		Red SLR2016	Super-red SLO2016	Green SLG2016	Yellow SLY2016	
Time Averaged Luminous Intensity ¹⁾ (min.) (typ.)	I_V	50	60	75	60	$\mu\text{cd}/\text{LED}$
Spectral Peak Wavelength (typ.)	λ_{peak}	660	635	565	585	nm

Notes:

1. Peak luminous intensity values can be calculated by multiplying these values by 7.
2. LED to LED intensity matching 1.8:1:0

Top View



Pin Function

Pin	Function	Pin	Function
1	WR Write	8	D3 Data
2	A1 Digit Select	9	D4 Data
3	A0 Digit Select	10	D5 Data
4	V _{CC}	11	D6 Data

Pin Function

Pin	Function	Pin	Function
5	D0 Data	12	BL Display Blank
6	D1 Data	13	CLR Clear
7	D2 Data	14	GND

DC Characteristics at 25°C

Parameters	Min.	Typ.	Max.	Units	Conditions
V _{CC}	4.5	5.0	5.5	V	—
I _{CC} Blank	—	2.3	3.0	mA	V _{CC} =5.0 V
I _{CC} (80 dots on)	—	80	105	mA	V _{CC} =5.0 V
V _{IL} (all inputs)	—	—	0.8	V	4.5 V < V _{CC} < 5.5 V
V _{IH} (all inputs)	2.0	—	—	V	4.5 V < V _{CC} < 5.5 V
I _{IL} (all inputs)	25	—	100	μA	4.5 V < V _{CC} < 5.5 V, V _{IN} =0.8 V

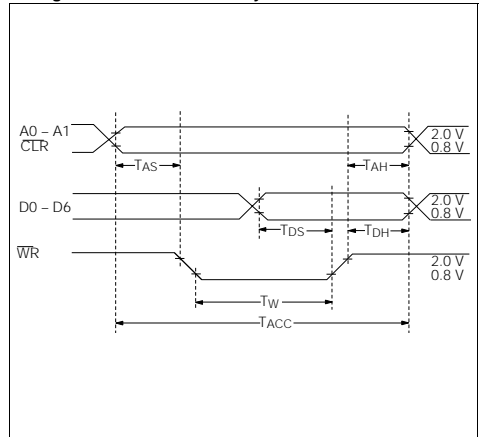
AC Characteristics (guaranteed minimum timing parameters at V_{CC}=5.0 V ±0.5 V)

Parameter	Symbol	-40°C	+25°C	+85°C	Unit
Address Set Up Time	T _{AS}	10	10	10	ns
Write Time	T _W	60	70	90	ns
Data Set Up Time	T _{DS}	20	30	50	ns
Address Hold Time	T _{AH}	20	30	40	ns
Data Hold Time	T _{DH}	20	30	40	ns
Access Time	T _{ACC} ⁽¹⁾	90	110	140	ns
Clear Disable Time	T _{CLRD}	1.0	1.0	1.0	μs
Clear Time	T _{CLR}	1.0	1.0	1.0	ms

Note:

¹⁾ T_{ACC}=Set Up Time + Write Time + Hold Time

Timing Characteristics—Write Cycle Waveforms



Loading Data

The desired data code (D0–D6) and digit address (A0, A1) must be held stable during the write cycle for storing new data.

Data entry may be asynchronous. Digit 0 is defined as right hand digit with A1=A2=0.

Clearing the entire internal four-digit memory can be accomplished by holding the clear (CLR) low for 1.0 msec minimum. The clear function will clear the ASCII RAM. Loading an illegal data code will display a blank.

Typical Loading State Table

WR	A1	A0	D6	D5	D4	D3	D2	D1	D0	Digit			
										3	2	1 0	
H			previously loaded display							G	R	E	Y
L	L	L	H	L	L	L	H	L	H	G	R	E	E
L	L	H	H	L	H	L	H	L	H	G	R	U	E
L	H	L	H	L	L	H	H	L	L	G	L	U	E
L	H	H	H	L	L	L	L	H	L	B	L	U	E
L	L	H	H	L	L	L	H	L	H	B	L	E	E
L	L	L	H	L	H	L	H	H	H	B	L	E	W
L	X	X	see character code							see char. set			

Display Blanking

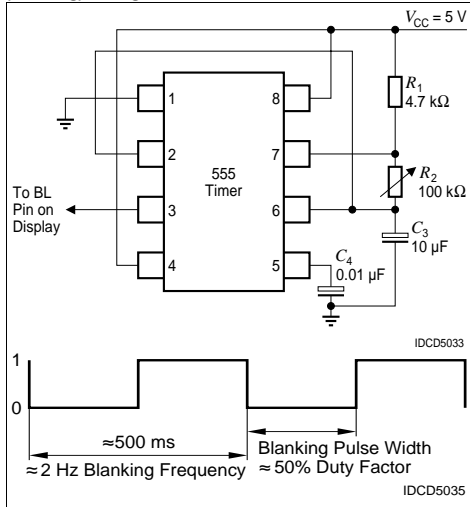
Blank the display by loading a blank or space into each digit of the display or by using the (BL) display blank input. Setting the (BL) input low does not affect the contents of data memory.

A flashing circuit can easily be constructed using a 555 as table multivibrator. Figure 3 illustrates a circuit in which varying R1 (100K-10K) will have a flash rate of 1.0 Hz-10 Hz.

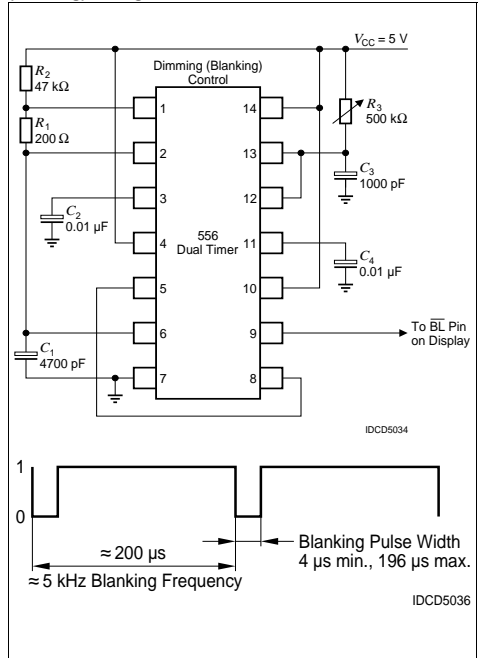
The display can be dimmed by pulse width modulating the (BL) at a frequency sufficiently fast to not interfere with the internal clock. The dimming signal frequency should be 2.5 kHz or higher. Dimming the display also reduces power consumption.

An example of a simple dimming circuit using a 556 is illustrated in Figure 4. Adjusting potentiometer R3 will dim the display by changing the blanking pulse duty cycle.

Flashing Circuit Using a 555 and Flashing (Blanking) Timing



Dimming Circuit Using a 556 and Dimming (Blanking) Timing



Character Set

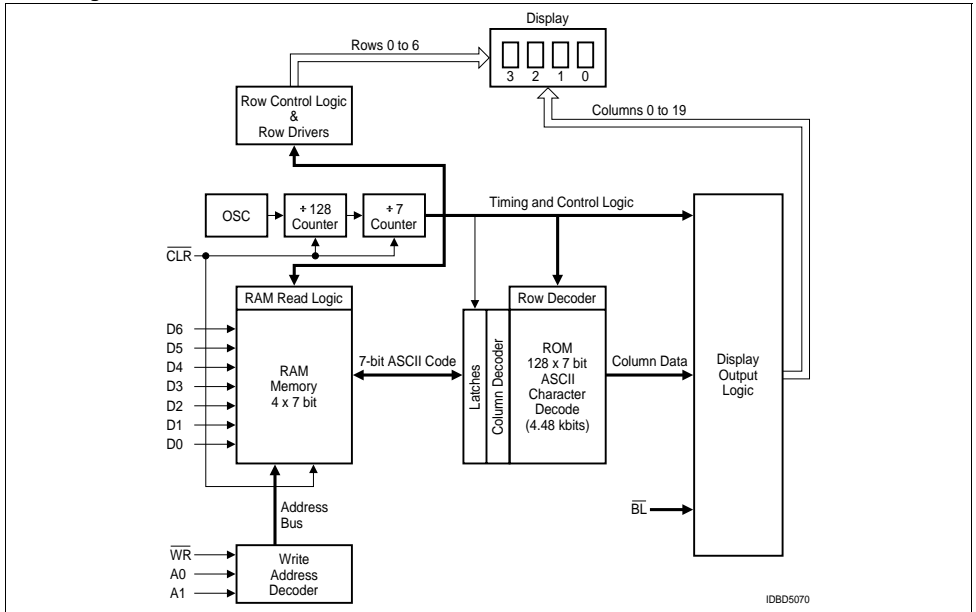
ASCII CODE				D0	0	1	0	1	0	1	0	1	0	1	0	1	0	1		
D1				0	0	1	1	0	0	1	1	0	0	1	1	0	0	1	1	
D2				0	0	0	0	1	1	1	1	0	0	0	0	1	1	1	1	
D3				0	0	0	0	0	0	0	0	1	1	1	1	1	1	1	1	
D6	D5	D4	HEX	0	1	2	3	4	5	6	7	8	9	A	B	C	D	E	F	
0	0	0	0	0	1	2	3	4	5	6	7	8	9	A	B	C	D	E	F	
0	0	1	1	0	1	0	2	3	4	5	6	7	8	9	A	B	C	D	E	F
0	1	0	2	0	1	0	2	3	4	5	6	7	8	9	A	B	C	D	E	F
0	1	1	3	0	1	0	2	3	4	5	6	7	8	9	A	B	C	D	E	F
1	0	0	4	0	1	0	2	3	4	5	6	7	8	9	A	B	C	D	E	F
1	0	1	5	0	1	0	2	3	4	5	6	7	8	9	A	B	C	D	E	F
1	1	0	6	0	1	0	2	3	4	5	6	7	8	9	A	B	C	D	E	F
1	1	1	7	0	1	0	2	3	4	5	6	7	8	9	A	B	C	D	E	F

IDCS5087

Notes:

1. High=1 level
2. Low=0 level
3. Upon power up, the device will initialize in a random state.

Block Diagram



Design Considerations

For details on design and applications of the SLX2016 in multiple display systems, refer to Appnote 15 at www.osram-os.com

Electrical & Mechanical Considerations

Voltage Transient Suppression

We recommend that the same power supply be used for the display and the components that interface with the display to avoid logic inputs higher than V_{CC} . Additionally, the LEDs may cause transients in the power supply line while they change display states. The common practice is to place 0.01 mF capacitors close to the displays across V_{CC} and GND, one for each display, and one 10 μ F capacitor for every second display.

ESD Protection

The CMOS IC of the SLX2016 is resistant to ESD damage and capable of withstanding discharges less than 2.0 kV. However, take all the standard precautions, normal for CMOS components. These include properly grounding personnel, tools, tables, and transport carriers that come in contact with unshielded parts. If these conditions are not, or cannot be met, keep the leads of the device shorted together or the parts in anti-static packaging.

Soldering Considerations

The SLX2016 can be hand soldered using a grounded iron set to 260°C.

The display is compatible with leadfree and tin/lead solder. Wave soldering is also possible following these conditions. Preheat does not exceed 93°C on the solder side of the PC board or a package surface temperature of 85°C. Water soluble organic acid flux (except carboxylic acid) or resin-based RMA flux without alcohol can be used.

Wave temperature of 245°C \pm 5°C with a dwell between 1.5 sec. to 3 sec. Exposure to the wave should not exceed temperatures above 260°C for five seconds at 0.063 inches below the seating plane. The packages should not be immersed in the wave.

Post Solder Cleaning Procedures

The least offensive cleaning solution is hot D.I. water (60°C) for less than 15 minutes. Addition of mild saponifiers is acceptable. Do not use commercial dishwasher detergents.

For faster cleaning, solvents may be used. Carefully select any solvent as some may chemically attack the nylon package. Maximum exposure should not exceed two minutes at elevated temperatures. Acceptable solvents are TF (trichlorotrifluoroethane), TA, 111 Trichloroethane, and unheated acetone.

Note:

Acceptable commercial solvents are: Basic TF, Arkstone, P. Genesolv, D. Genesolv DA, Blaco-Tron TF and Blaco-Tron TA.

Unacceptable solvents contain alcohol, methanol, methylene chloride, ethanol, TP35, TCM, TMC, TMS+, TE, or TES. Since many commercial mixtures exist, contact a solvent vendor for chemical composition information. Some major solvent manufacturers are: Allied Chemical Corporation, Specialty Chemical Division, Morristown, NJ; Baron-Blakeslee, Chicago, IL; Dow Chemical, Midland, MI; E.I. DuPont de Nemours & Co., Wilmington, DE.

For further information refer to Appnotes 18 and 19 at www.osram-os.com

An alternative to soldering and cleaning the display modules is to

use sockets. Standard pin DIP sockets 7.62 mm (0.300") wide with 2.54 mm (0.100") centers work well for single displays. Multiple display assemblies are best handled by longer SIP sockets or DIP sockets when available for uniform package alignment. Socket manufacturers are Aries Electronics, Inc., Frenchtown, NJ; Garry Manufacturing, New Brunswick, NJ; Robinson-Nugent, New Albany, IN; and Samtec Electronic Hardware, New Albany, IN.

For further information refer to Appnote 22 at www.osram-os.com

Optical Considerations

The 4.72 mm (0.180") high characters of the SLX2016 gives readability up to eight feet. Proper filter selection enhances readability over this distance.

Filters enhance the contrast ratio between a lit LED and the character background intensifying the discrimination of different characters. The only limitation is cost. Take into consideration the ambient lighting environment for the best cost/benefit ratio for filters.

Incandescent (with almost no green) or fluorescent (with almost no red) lights do not have the flat spectral response of sunlight. Plastic band-pass filters are an inexpensive and effective way to strengthen contrast ratios. The SLR2016 is a standard red display and should be matched with long wavelength pass filter in the 600 nm to 620 nm range.

The SLO2016 is a super-red display and should be matched with a long wavelength pass filter in the 470 nm to 590 nm range. The SLG/SLY2016 should be matched with a yellow-green band-pass filter that peaks at 565 nm. For displays of multiple colors, neutral density gray filters offer the best compromise.

Additional contrast enhancement is gained by shading the displays. Plastic band-pass filters with built-in louvers offer the next step up in contrast improvement. Plastic filters can be improved further with anti-reflective coatings to reduce glare. The trade-off is fuzzy characters. Mounting the filters close to the display reduces this effect. Take care not to overheat the plastic filter by allowing for proper air flow.

Optimal filter enhancements are gained by using circular polarized, anti-reflective, band-pass filters. Circular polarizing further enhances contrast by reducing the light that travels through the filter and reflects back off the display to less than 1%.

Several filter manufacturers supply quality filter materials. Some of them are: Panelgraphic Corporation, W. Caldwell, NJ; SGL Homalite, Wilmington, DE; 3M Company, Visual Products Division, St. Paul, MN; Polaroid Corporation, Polarizer Division, Cambridge, MA; Marks Polarized Corporation, Deer Park, NY; Hoya Optics, Inc., Fremont, CA.

One last note on mounting filters: recessing displays and bezel assemblies is an inexpensive way to provide a shading effect in overhead lighting situations. Several Bezel manufacturers are: R.M.F. Products, Batavia, IL; Nobex Components, Griffith Plastic Corp., Burlingame, CA; Photo Chemical Products of California, Santa Monica, CA; I.E.E.-Atlas, Van Nuys, CA.

Refer to Appnote 23 at www.osram-os.com for further information.

Revision History: 2006-01-23
Previous Version: 2005-01-10

Page	Subjects (major changes since last revision)	Date of change
all	Lead free device	2006-01-23

Published by
OSRAM Opto Semiconductors GmbH
Wernerwerkstrasse 2, D-93049 Regensburg
www.osram-os.com
© All Rights Reserved.

Attention please!

The information describes the type of component and shall not be considered as assured characteristics. Terms of delivery and rights to change design reserved. Due to technical requirements components may contain dangerous substances. For information on the types in question please contact our Sales Organization. If printed or downloaded, please find the latest version in the Internet.

Packing

Please use the recycling operators known to you. We can also help you – get in touch with your nearest sales office. By agreement we will take packing material back, if it is sorted. You must bear the costs of transport. For packing material that is returned to us unsorted or which we are not obliged to accept, we shall have to invoice you for any costs incurred.

Components used in life-support devices or systems must be expressly authorized for such purpose! Critical components¹⁾ may only be used in life-support devices or systems²⁾ with the express written approval of OSRAM OS.

- ¹⁾ A critical component is a component used in a life-support device or system whose failure can reasonably be expected to cause the failure of that life-support device or system, or to affect its safety or the effectiveness of that device or system.
- ²⁾ Life support devices or systems are intended (a) to be implanted in the human body, or (b) to support and/or maintain and sustain human life. If they fail, it is reasonable to assume that the health and the life of the user may be endangered.