

Rheostats

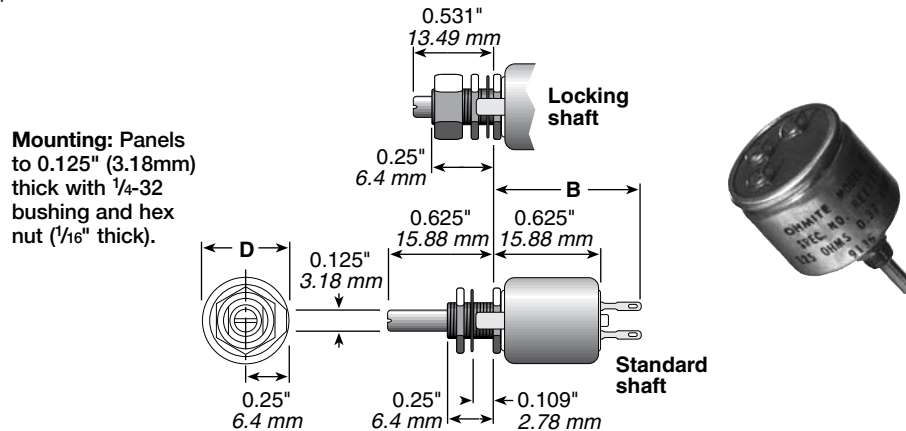
(Potentiometers) Wirewound



MODEL C

Model Type	Watts	Ohmic range	Core	Max. Voltage (RMS)*	Behind panel "B" (in./mm Ref.)	Diameter "D" (in./mm Ref.)	Dimension "C" (in./mm Ref.)	Shaft torque	Rotation (±5°)
C RCS/RCL	7.5	10.0-5K	enclosed	305	0.875/22.23	0.515/ 13.08	—	0.25-3 oz. in.	300°

• See Catalog #203 for complete details.



MODEL E

Model Type	Watts	Ohmic range	Core	Max. Voltage (RMS)*	Behind panel "B" (in./mm Ref.)	Diameter "D" (in./mm Ref.)	Dimension "C" (in./mm Ref.)	Shaft torque	Rotation (±5°)
E RES/REL	12.5	1.0-15K	open	305	0.688/17.46	0.875/ 22.23	0.594/15.08	1-6 oz. in.	300°
E REE	12.5	1.0-15K	enclosed	305	1.219/30.96	1.047/ 26.59	—	1-6 oz. in.	300°

• See Catalog #203 for complete details.



Dimensions for reference only; consult factory for details.

Since all rheostats/potentiometers are electro-mechanical devices, they are subject to mechanical wear and, therefore, have a finite life.

Models H, J, K, L and N are listed under UL File No. E-10946 and CSA File No. 21309 unless noted otherwise.

All rheostats are 10% tolerance.

Rheostats

(Potentiometers) Wirewound

MODELS H, J, G, K, L

Model	Type	Watts	Ohmic range	Core	Max. Voltage (RMS)*	Behind panel "B" (in./mm Ref.)	Diameter "D" (in./mm Ref.)	Dimension "C" (in./mm Ref.)	Shaft torque	Rotation (±5°)
H	RHS/RHL	25	1.0-25K	open	500	1.375/34.93	1.560/ 39.62	0.940/23.88	0.25-0.5 lb. in.	300°
J	RJS	50	0.5-50K	open	750	1.375/34.93	2.31 / 58.67	1.56 /39.62	0.25-2 lb. in.	300°
G	RGS	75	0.5-50K	open	900	1.750/44.45	2.75 / 69.25	1.78 /45.21	0.5-2 lb. in.	300°
K	RKS	100	0.5-50K	open	1000	1.750/44.45	3.125/ 79.38	1.91 /48.51	0.5-2 lb. in.	300°
L	RLS	150	0.5-50K	open	1200	2.000 / 50.8	4.00 /101.60	2.28 /57.91	0.5-3 lb. in.	300°

- Models H, J, G, and K also available in enclosed versions.
- See Catalog #203 for complete details.



Mounting: Panels to 0.25" (6.35mm) thick with 3/8-32 bushing and hex nut (3/32" thick) (or with 10-32 x 0.75 flat-head screws for model L only).

MODELS P, N, R, U

Model	Type	Watts	Ohmic range	Core	Max. Voltage (RMS)*	Behind panel "B" (in./mm Ref.)	Diameter "D" (in./mm Ref.)	Dimension "C" (in./mm Ref.)	Shaft torque	Rotation (±5°)
P	RPS	225	1.0-30K	open	1300	2.125/53.98	5.00 /127.00	2.97 /75.44	2.5-4 lb. in.	310°
N	RNS	300	1.0-50K	open	1225	2.375/60.33	6.00 /152.40	3.44 /87.38	2.5-5 lb. in.	320°
R	RRS	500	1.0-20K	open	1450	2.125/53.98	8.00 /203.20	4.31/109.47	4.5-7 lb. in.	325°
U	RUS	1000	1.0-20K	open	1600	3.000 / 76.2	12.00 /304.80	6.38/162.05	3.5-7 lb. in.	335°

- See Catalog #203 for complete details.



(continued)

Rheostats

(Potentiometers) Wirewound

ORDERING INFORMATION

Code	Watts	Model	Shaft	Core
CL	7.5	C	Locking	Enclosed
CS	7.5	J	Standard	Enclosed
EE	12.5	C	Standard	Enclosed
EL	12.5	J	Locking	Open
ES	12.5	C	Standard	Open
GS	75	J	Standard	Open
HL	25	H	Locking	Open
HS	25	J	Standard	Open
JS	50	J	Standard	Open
KS	100	K	Standard	Open
LS	150	L	Standard	Open
NS	300	N	Standard	Open
PS	225	P	Standard	Open
RS	500	R	Standard	Open
US	1000	U	Standard	Open



Resistance Value*

Example:
R50 = 0.50Ω
1R0 = 1Ω
7R5 = 7.5Ω
250 = 250Ω
1K0 = 1,000Ω
1K75 = 1,750Ω
4K5 = 4,500Ω
50K = 50,000Ω

- RoHS compliant product available. Add "E" suffix to part number to specify.
- Made-to-order rheostats available: Contact nearest Ohmite sales office.
- * Voltage rating dependent on resistance value.

* Check table for standard resistance values and maximum current values

Ohmic value	Part No. Prefix Suffix	7.5W Model C			12.5W Model E			25W Model H			50W Model J	75W Model G	100W Model K	150W Model L	225W Model P	300W Model N	500W Model R	1000W Model U		
		Std. shaft	Locking	Amps max.	Std. shaft	Locking	Enclosed	Amps max.	Std. shaft	Locking	Amps max.	Amps max.	Amps max.	Amps max.	Amps max.	Amps max.	Amps max.	Amps max.	Amps max.	
		RCS	RCL	RES	REL	REE	RHS	RHL	RHS	RGS	RKS	RLS	RPS	RNS	RRS	RUS				
0.5	—R50																			
1	—1R0			✓	✓	✓	3.53	✓	✓	5.00	✓	✓	✓	✓	✓	✓	✓	✓	✓	31.6
1.5	—1R5																			25.8
2	—2R0			✓	✓	✓	2.50	✓	✓	3.54	✓	✓	✓	✓	✓	✓	✓	✓	✓	22.4
2.5	—2R5			✓	✓	✓	2.24	✓	✓		✓	✓	✓	✓	✓	✓	✓	✓	✓	20.0
3	—3R0			✓	✓	✓	2.04	✓	✓	2.88	✓	✓	✓	✓	✓	✓	✓	✓	✓	18.3
4	—4R0										✓	✓	✓	✓	✓	✓	✓	✓	✓	15.8
5	—5R0			✓	✓	✓	1.58	✓	✓		✓	✓	✓	✓	✓	✓	✓	✓	✓	14.1
6	—6R0			✓	✓	✓	1.44	✓	✓	2.04	✓	✓	✓	✓	✓	✓	✓	✓	✓	
7.5	—7R5										✓	✓	✓	✓	✓	✓	✓	✓	✓	
8	—8R0			✓	✓	✓	1.25	✓	✓	1.77	✓	✓	✓	✓	✓	✓	✓	✓	✓	11.2
10	—10R	✓	✓	0.86	✓	✓	1.12	✓	✓	1.58	✓	✓	✓	✓	✓	✓	✓	✓	✓	10.0
12	—12R										✓	✓	✓	✓	✓	✓	✓	✓	✓	
12.5	—12R5										✓	✓	✓	✓	✓	✓	✓	✓	✓	
15	—15R	✓	✓	0.71	✓	✓	0.91	✓	✓	1.29	✓	✓	✓	✓	✓	✓	✓	✓	✓	8.95
16	—16R										✓	✓	✓	✓	✓	✓	✓	✓	✓	7.90
22	—22R										✓	✓	✓	✓	✓	✓	✓	✓	✓	7.90
25	—25R	✓	✓	0.55	✓	✓	0.71	✓	✓	1.00	✓	✓	✓	✓	✓	✓	✓	✓	✓	6.33
35	—35R	✓	✓	0.46	✓	✓	0.60	✓	✓	0.845	✓	✓	✓	✓	✓	✓	✓	✓	✓	
40	—40R										✓	✓	✓	✓	✓	✓	✓	✓	✓	3.54
50	—50R	✓	✓	0.39	✓	✓	0.50	✓	✓	0.707	✓	✓	✓	✓	✓	✓	✓	✓	✓	4.47
75	—75R	✓	✓	0.32	✓	✓	0.40	✓	✓	0.575	✓	✓	✓	✓	✓	✓	✓	✓	✓	3.65
80	—80R										✓	✓	✓	✓	✓	✓	✓	✓	✓	
100	—100	✓	✓	0.27	✓	✓	0.36	✓	✓	0.500	✓	✓	✓	✓	✓	✓	✓	✓	✓	3.16
125	—125										✓	✓	✓	✓	✓	✓	✓	✓	✓	
150	—150	✓	✓	0.22	✓	✓	0.29	✓	✓	0.445	✓	✓	✓	✓	✓	✓	✓	✓	✓	2.00
160	—160										✓	✓	✓	✓	✓	✓	✓	✓	✓	
175	—175										✓	✓	✓	✓	✓	✓	✓	✓	✓	1.69
200	—200	✓	✓	0.19	✓	✓	0.25	✓	✓	0.375	✓	✓	✓	✓	✓	✓	✓	✓	✓	2.39
225	—225										✓	✓	✓	✓	✓	✓	✓	✓	✓	2.11
250	—250	✓	✓	0.17	✓	✓	0.22	✓	✓	0.316	✓	✓	✓	✓	✓	✓	✓	✓	✓	1.41
300	—300										✓	✓	✓	✓	✓	✓	✓	✓	✓	1.83
325	—325										✓	✓	✓	✓	✓	✓	✓	✓	✓	
350	—350	✓	✓	0.15	✓	✓	0.19	✓	✓	0.267	✓	✓	✓	✓	✓	✓	✓	✓	✓	1.48
400	—400										✓	✓	✓	✓	✓	✓	✓	✓	✓	1.48
500	—500	✓	✓	0.12	✓	✓	0.16	✓	✓	0.222	✓	✓	✓	✓	✓	✓	✓	✓	✓	1.41
600	—600										✓	✓	✓	✓	✓	✓	✓	✓	✓	
700	—700										✓	✓	✓	✓	✓	✓	✓	✓	✓	0.567
750	—750	✓	✓	0.10	✓	✓	0.13	✓	✓	0.182	✓	✓	✓	✓	✓	✓	✓	✓	✓	0.655
800	—800										✓	✓	✓	✓	✓	✓	✓	✓	✓	0.817
900	—900										✓	✓	✓	✓	✓	✓	✓	✓	✓	1.15
1000	—1K0	✓	✓	0.086	✓	✓	0.10	✓	✓	0.155	✓	✓	✓	✓	✓	✓	✓	✓	✓	1.00
1200	—1K2										✓	✓	✓	✓	✓	✓	✓	✓	✓	
1250	—1K25										✓	✓	✓	✓	✓	✓	✓	✓	✓	0.346
1500	—1K5	✓	✓	0.071	✓	✓	0.090	✓	✓	0.129	✓	✓	✓	✓	✓	✓	✓	✓	✓	0.224
1600	—1K6										✓	✓	✓	✓	✓	✓	✓	✓	✓	0.258
1750	—1K75										✓	✓	✓	✓	✓	✓	✓	✓	✓	0.176
1800	—1K8										✓	✓	✓	✓	✓	✓	✓	✓	✓	0.358
2000	—2K0										✓	✓	✓	✓	✓	✓	✓	✓	✓	0.414
2250	—2K25										✓	✓	✓	✓	✓	✓	✓	✓	✓	0.288
2500	—2K5	✓	✓	0.055	✓	✓	0.070	✓	✓	0.100	✓	✓	✓	✓	✓	✓	✓	✓	✓	0.336
3000	—3K0										✓	✓	✓	✓	✓	✓	✓	✓	✓	0.500
3500	—3K5	✓	✓	0.046	✓	✓	0.060	✓	✓	0.084	✓	✓	✓	✓	✓	✓	✓	✓	✓	0.387
4500	—4K5										✓	✓	✓	✓	✓	✓	✓	✓	✓	0.447
5000	—5K0	✓	✓	0.039	✓	✓	0.050	✓	✓	0.070	✓	✓	✓	✓	✓	✓	✓	✓	✓	0.577
7500	—7K5										✓	✓	✓	✓	✓	✓	✓	✓	✓	0.817
8000	—8K0										✓	✓	✓	✓	✓	✓	✓	✓	✓	0.258
10000	—10K										✓	✓	✓	✓	✓	✓	✓	✓	✓	0.224
12500	—12K5										✓	✓	✓	✓	✓	✓	✓	✓	✓	0.182
15000	—15K										✓	✓	✓	✓	✓	✓	✓	✓	✓	0.141
20000	—20K										✓	✓	✓	✓	✓	✓	✓	✓	✓	0.122
25000	—25K										✓	✓	✓	✓	✓	✓	✓	✓	✓	
30000	—30K										✓	✓	✓	✓	✓	✓	✓	✓	✓	
40000	—40K										✓	✓	✓	✓	✓	✓	✓	✓	✓	
50000	—50K										✓	✓	✓	✓	✓	✓	✓	✓	✓	

✓ = Standard values; check availability
Rheostats are silicone-ceramic coated at and above the following ohmic values:
Model C: all Model G: 5000Ω
Model E: 750Ω Model K: 5000Ω
Model H: 2000Ω Model L: 7500Ω
Model J: 5000Ω