

Rheostats

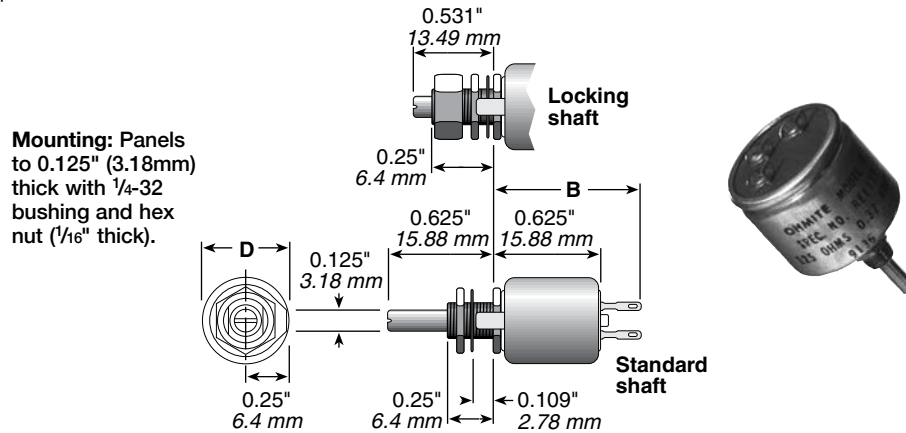
(Potentiometers) Wirewound



MODEL C

| Model Type | Watts | Ohmic range | Core | Max. Voltage (RMS)* | Behind panel "B" (in./mm Ref.) | Diameter "D" (in./mm Ref.) | Dimension "C" (in./mm Ref.) | Shaft torque | Rotation (±5°) |
|------------|-------|-------------|----------|---------------------|--------------------------------|----------------------------|-----------------------------|----------------|----------------|
| C RCS/RCL | 7.5 | 10.0-5K | enclosed | 305 | 0.875/22.23 | 0.515/ 13.08 | — | 0.25-3 oz. in. | 300° |

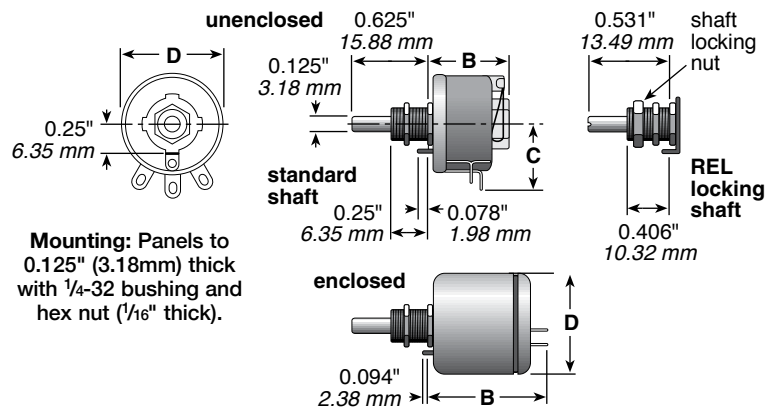
• See Catalog #203 for complete details.



MODEL E

| Model Type | Watts | Ohmic range | Core | Max. Voltage (RMS)* | Behind panel "B" (in./mm Ref.) | Diameter "D" (in./mm Ref.) | Dimension "C" (in./mm Ref.) | Shaft torque | Rotation (±5°) |
|------------|-------|-------------|----------|---------------------|--------------------------------|----------------------------|-----------------------------|--------------|----------------|
| E RES/REL | 12.5 | 1.0-15K | open | 305 | 0.688/17.46 | 0.875/ 22.23 | 0.594/15.08 | 1-6 oz. in. | 300° |
| E REE | 12.5 | 1.0-15K | enclosed | 305 | 1.219/30.96 | 1.047/ 26.59 | — | 1-6 oz. in. | 300° |

• See Catalog #203 for complete details.



Dimensions for reference only; consult factory for details.

Since all rheostats/potentiometers are electro-mechanical devices, they are subject to mechanical wear and, therefore, have a finite life.

Models H, J, K, L and N are listed under UL File No. E-10946 and CSA File No. 21309 unless noted otherwise.

All rheostats are 10% tolerance.

Rheostats

(Potentiometers) Wirewound

MODELS H, J, G, K, L

| Model | Type | Watts | Ohmic range | Core | Max. Voltage (RMS)* | Behind panel "B" (in./mm Ref.) | Diameter "D" (in./mm Ref.) | Dimension "C" (in./mm Ref.) | Shaft torque | Rotation (±5°) |
|-------|---------|-------|-------------|------|---------------------|--------------------------------|----------------------------|-----------------------------|------------------|----------------|
| H | RHS/RHL | 25 | 1.0-25K | open | 500 | 1.375/34.93 | 1.560/ 39.62 | 0.940/23.88 | 0.25-0.5 lb. in. | 300° |
| J | RJS | 50 | 0.5-50K | open | 750 | 1.375/34.93 | 2.31 / 58.67 | 1.56 /39.62 | 0.25-2 lb. in. | 300° |
| G | RGS | 75 | 0.5-50K | open | 900 | 1.750/44.45 | 2.75 / 69.25 | 1.78 /45.21 | 0.5-2 lb. in. | 300° |
| K | RKS | 100 | 0.5-50K | open | 1000 | 1.750/44.45 | 3.125/ 79.38 | 1.91 /48.51 | 0.5-2 lb. in. | 300° |
| L | RLS | 150 | 0.5-50K | open | 1200 | 2.000 / 50.8 | 4.00 /101.60 | 2.28 /57.91 | 0.5-3 lb. in. | 300° |

- Models H, J, G, and K also available in enclosed versions.
- See Catalog #203 for complete details.



Mounting: Panels to 0.25" (6.35mm) thick with 3/8-32 bushing and hex nut (3/32" thick) (or with 10-32 x 0.75 flat-head screws for model L only).

MODELS P, N, R, U

| Model | Type | Watts | Ohmic range | Core | Max. Voltage (RMS)* | Behind panel "B" (in./mm Ref.) | Diameter "D" (in./mm Ref.) | Dimension "C" (in./mm Ref.) | Shaft torque | Rotation (±5°) |
|-------|------|-------|-------------|------|---------------------|--------------------------------|----------------------------|-----------------------------|---------------|----------------|
| P | RPS | 225 | 1.0-30K | open | 1300 | 2.125/53.98 | 5.00 /127.00 | 2.97 /75.44 | 2.5-4 lb. in. | 310° |
| N | RNS | 300 | 1.0-50K | open | 1225 | 2.375/60.33 | 6.00 /152.40 | 3.44 /87.38 | 2.5-5 lb. in. | 320° |
| R | RRS | 500 | 1.0-20K | open | 1450 | 2.125/53.98 | 8.00 /203.20 | 4.31/109.47 | 4.5-7 lb. in. | 325° |
| U | RUS | 1000 | 1.0-20K | open | 1600 | 3.000 / 76.2 | 12.00 /304.80 | 6.38/162.05 | 3.5-7 lb. in. | 335° |

- See Catalog #203 for complete details.



(continued)

