

Rheostats

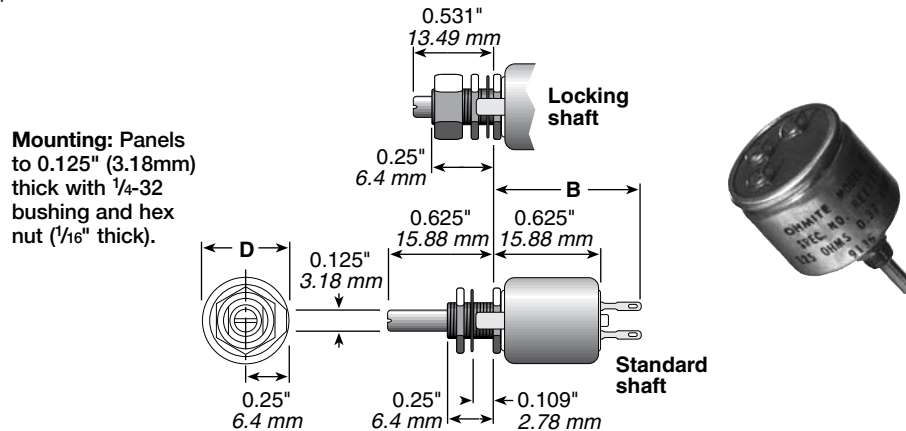
(Potentiometers) Wirewound



MODEL C

Model Type	Watts	Ohmic range	Core	Max. Voltage (RMS)*	Behind panel "B" (in./mm Ref.)	Diameter "D" (in./mm Ref.)	Dimension "C" (in./mm Ref.)	Shaft torque	Rotation (±5°)
C RCS/RCL	7.5	10.0-5K	enclosed	305	0.875/22.23	0.515/ 13.08	—	0.25-3 oz. in.	300°

• See Catalog #203 for complete details.



MODEL E

Model Type	Watts	Ohmic range	Core	Max. Voltage (RMS)*	Behind panel "B" (in./mm Ref.)	Diameter "D" (in./mm Ref.)	Dimension "C" (in./mm Ref.)	Shaft torque	Rotation (±5°)
E RES/REL	12.5	1.0-15K	open	305	0.688/17.46	0.875/ 22.23	0.594/15.08	1-6 oz. in.	300°
E REE	12.5	1.0-15K	enclosed	305	1.219/30.96	1.047/ 26.59	—	1-6 oz. in.	300°

• See Catalog #203 for complete details.



Dimensions for reference only; consult factory for details.

Since all rheostats/potentiometers are electro-mechanical devices, they are subject to mechanical wear and, therefore, have a finite life.

Models H, J, K, L and N are listed under UL File No. E-10946 and CSA File No. 21309 unless noted otherwise.

All rheostats are 10% tolerance.

Rheostats

(Potentiometers) Wirewound

MODELS H, J, G, K, L

Model	Type	Watts	Ohmic range	Core	Max. Voltage (RMS)*	Behind panel "B" (in./mm Ref.)	Diameter "D" (in./mm Ref.)	Dimension "C" (in./mm Ref.)	Shaft torque	Rotation (±5°)
H	RHS/RHL	25	1.0-25K	open	500	1.375/34.93	1.560/ 39.62	0.940/23.88	0.25-0.5 lb. in.	300°
J	RJS	50	0.5-50K	open	750	1.375/34.93	2.31 / 58.67	1.56 /39.62	0.25-2 lb. in.	300°
G	RGS	75	0.5-50K	open	900	1.750/44.45	2.75 / 69.25	1.78 /45.21	0.5-2 lb. in.	300°
K	RKS	100	0.5-50K	open	1000	1.750/44.45	3.125/ 79.38	1.91 /48.51	0.5-2 lb. in.	300°
L	RLS	150	0.5-50K	open	1200	2.000 / 50.8	4.00 /101.60	2.28 /57.91	0.5-3 lb. in.	300°

- Models H, J, G, and K also available in enclosed versions.
- See Catalog #203 for complete details.



Mounting: Panels to 0.25" (6.35mm) thick with 3/8-32 bushing and hex nut (3/32" thick) (or with 10-32 x 0.75 flat-head screws for model L only).

MODELS P, N, R, U

Model	Type	Watts	Ohmic range	Core	Max. Voltage (RMS)*	Behind panel "B" (in./mm Ref.)	Diameter "D" (in./mm Ref.)	Dimension "C" (in./mm Ref.)	Shaft torque	Rotation (±5°)
P	RPS	225	1.0-30K	open	1300	2.125/53.98	5.00 /127.00	2.97 /75.44	2.5-4 lb. in.	310°
N	RNS	300	1.0-50K	open	1225	2.375/60.33	6.00 /152.40	3.44 /87.38	2.5-5 lb. in.	320°
R	RRS	500	1.0-20K	open	1450	2.125/53.98	8.00 /203.20	4.31/109.47	4.5-7 lb. in.	325°
U	RUS	1000	1.0-20K	open	1600	3.000 / 76.2	12.00 /304.80	6.38/162.05	3.5-7 lb. in.	335°

- See Catalog #203 for complete details.



(continued)

Rheostats

(Potentiometers) Wirewound

ORDERING INFORMATION

Code	Watts	Model	Shaft	Core
CL =	7.5	C	Locking	Enclosed
CS =	7.5	J	Standard	Enclosed
EE =	12.5	C	Standard	Enclosed
EL =	12.5	J	Locking	Open
ES =	12.5	C	Standard	Open
GS =	75	J	Standard	Open
HL =	25	H	Locking	Open
HS =	25	H	Standard	Open
JS =	50	J	Standard	Open
KS =	100	K	Standard	Open
LS =	150	L	Standard	Open
NS =	300	N	Standard	Open
PS =	225	P	Standard	Open
RS =	500	R	Standard	Open
US =	1000	U	Standard	Open



Resistance Value*
 Example:
 R50 = 0.50Ω
 1R0 = 1Ω
 7R5 = 7.5Ω
 250 = 250Ω
 1K0 = 1,000Ω
 1K75 = 1,750Ω
 4K5 = 4,500Ω
 50K = 50,000Ω

- RoHS compliant product available. Add "E" suffix to part number to specify.
- Made-to-order rheostats available: Contact nearest Ohmite sales office.
- * Voltage rating dependent on resistance value.

*Check table for standard resistance values and maximum current values

Ohmic value	Part No. Prefix Suffix	7.5W Model C		12.5W Model E		25W Model H		50W Model J	75W Model G	100W Model K	150W Model L	225W Model P	300W Model N	500W Model R	1000W Model U
		Std. shaft Locking	Amps max.	Std. shaft Locking Enclosed	Amps max.	Std. shaft Locking	Amps max.	Amps max.	Amps max.	Amps max.	Amps max.	Amps max.	Amps max.	Amps max.	Amps max.
0.5	R50			✓	✓	✓	✓	✓	✓	✓	✓	✓	✓	✓	✓
1	R10			✓	✓	✓	✓	✓	✓	✓	✓	✓	✓	✓	✓
1.5	R15														
2	R20			✓	✓	✓	✓	✓	✓	✓	✓	✓	✓	✓	✓
2.5	R25			✓	✓	✓	✓	✓	✓	✓	✓	✓	✓	✓	✓
3	R30			✓	✓	✓	✓	✓	✓	✓	✓	✓	✓	✓	✓
4	R40							✓	✓	✓	✓	✓	✓	✓	✓
5	R50			✓	✓	✓	✓	✓	✓	✓	✓	✓	✓	✓	✓
6	R60			✓	✓	✓	✓	✓	✓	✓	✓	✓	✓	✓	✓
7.5	R75			✓	✓	✓	✓	✓	✓	✓	✓	✓	✓	✓	✓
8	R80			✓	✓	✓	✓	✓	✓	✓	✓	✓	✓	✓	✓
10	R100	✓	✓	✓	✓	✓	✓	✓	✓	✓	✓	✓	✓	✓	✓
12	R120			✓	✓	✓	✓	✓	✓	✓	✓	✓	✓	✓	✓
12.5	R125							✓	✓	✓	✓	✓	✓	✓	✓
15	R150	✓	✓	✓	✓	✓	✓	✓	✓	✓	✓	✓	✓	✓	✓
16	R160							✓	✓	✓	✓	✓	✓	✓	✓
22	R220							✓	✓	✓	✓	✓	✓	✓	✓
25	R250	✓	✓	✓	✓	✓	✓	✓	✓	✓	✓	✓	✓	✓	✓
35	R350	✓	✓	✓	✓	✓	✓	✓	✓	✓	✓	✓	✓	✓	✓
40	R400							✓	✓	✓	✓	✓	✓	✓	✓
50	R500	✓	✓	✓	✓	✓	✓	✓	✓	✓	✓	✓	✓	✓	✓
75	R750	✓	✓	✓	✓	✓	✓	✓	✓	✓	✓	✓	✓	✓	✓
80	R800							✓	✓	✓	✓	✓	✓	✓	✓
100	R1000	✓	✓	✓	✓	✓	✓	✓	✓	✓	✓	✓	✓	✓	✓
125	R1250			✓	✓	✓	✓	✓	✓	✓	✓	✓	✓	✓	✓
150	R1500	✓	✓	✓	✓	✓	✓	✓	✓	✓	✓	✓	✓	✓	✓
160	R1600							✓	✓	✓	✓	✓	✓	✓	✓
175	R1750			✓	✓	✓	✓	✓	✓	✓	✓	✓	✓	✓	✓
200	R2000	✓	✓	✓	✓	✓	✓	✓	✓	✓	✓	✓	✓	✓	✓
225	R2250							✓	✓	✓	✓	✓	✓	✓	✓
250	R2500	✓	✓	✓	✓	✓	✓	✓	✓	✓	✓	✓	✓	✓	✓
300	R3000							✓	✓	✓	✓	✓	✓	✓	✓
325	R3250								✓	✓	✓	✓	✓	✓	✓
350	R3500	✓	✓	✓	✓	✓	✓	✓	✓	✓	✓	✓	✓	✓	✓
400	R4000								✓	✓	✓	✓	✓	✓	✓
500	R5000	✓	✓	✓	✓	✓	✓	✓	✓	✓	✓	✓	✓	✓	✓
600	R6000							✓	✓	✓	✓	✓	✓	✓	✓
700	R7000								✓	✓	✓	✓	✓	✓	✓
750	R7500	✓	✓	✓	✓	✓	✓	✓	✓	✓	✓	✓	✓	✓	✓
800	R8000							✓	✓	✓	✓	✓	✓	✓	✓
900	R9000											✓	✓	✓	✓
1000	R1K0	✓	✓	✓	✓	✓	✓	✓	✓	✓	✓	✓	✓	✓	✓
1200	R1K2											✓	✓	✓	✓
1250	R1K25											✓	✓	✓	✓
1500	R1K5	✓	✓	✓	✓	✓	✓	✓	✓	✓	✓	✓	✓	✓	✓
1600	R1K6														
1750	R1K75							✓	✓	✓	✓	✓	✓	✓	✓
1800	R1K8										✓	✓	✓	✓	✓
2000	R2K0								✓	✓	✓	✓	✓	✓	✓
2250	R2K25								✓	✓	✓	✓	✓	✓	✓
2500	R2K5	✓	✓	✓	✓	✓	✓	✓	✓	✓	✓	✓	✓	✓	✓
3000	R3K0							✓	✓	✓	✓	✓	✓	✓	✓
3500	R3K5	✓	✓	✓	✓	✓	✓	✓	✓	✓	✓	✓	✓	✓	✓
4500	R4K5											✓	✓	✓	✓
5000	R5K0	✓	✓	✓	✓	✓	✓	✓	✓	✓	✓	✓	✓	✓	✓
7500	R7K5							✓	✓	✓	✓	✓	✓	✓	✓
8000	R8K0							✓	✓	✓	✓	✓	✓	✓	✓
10000	R10K							✓	✓	✓	✓	✓	✓	✓	✓
12500	R12K5								✓	✓	✓	✓	✓	✓	✓
15000	R15K														
20000	R20K														
25000	R25K														
30000	R30K														
40000	R40K														
50000	R50K														

✓ = Standard values; check availability
 Rheostats are silicone-ceramic coated at and above the following ohmic values:
 Model C: all
 Model E: 750Ω
 Model H: 2000Ω
 Model J: 5000Ω
 Model G: 5000Ω
 Model K: 5000Ω
 Model L: 7500Ω