

# Rheostats

## (Potentiometers) Wirewound



### MODEL C

Model Type	Watts	Ohmic range	Core	Max. Voltage (RMS)*	Behind panel "B" (in./mm Ref.)	Diameter "D" (in./mm Ref.)	Dimension "C" (in./mm Ref.)	Shaft torque	Rotation (±5°)
C RCS/RCL	7.5	10.0-5K	enclosed	305	0.875/22.23	0.515/ 13.08	—	0.25-3 oz. in.	300°

• See Catalog #203 for complete details.



### MODEL E

Model Type	Watts	Ohmic range	Core	Max. Voltage (RMS)*	Behind panel "B" (in./mm Ref.)	Diameter "D" (in./mm Ref.)	Dimension "C" (in./mm Ref.)	Shaft torque	Rotation (±5°)
E RES/REL	12.5	1.0-15K	open	305	0.688/17.46	0.875/ 22.23	0.594/15.08	1-6 oz. in.	300°
E REE	12.5	1.0-15K	enclosed	305	1.219/30.96	1.047/ 26.59	—	1-6 oz. in.	300°

• See Catalog #203 for complete details.



Dimensions for reference only; consult factory for details.

Since all rheostats/potentiometers are electro-mechanical devices, they are subject to mechanical wear and, therefore, have a finite life.

Models H, J, K, L and N are listed under UL File No. E-10946 and CSA File No. 21309 unless noted otherwise.

All rheostats are 10% tolerance.

# Rheostats

## (Potentiometers) Wirewound

### MODELS H, J, G, K, L

Model	Type	Watts	Ohmic range	Core	Max. Voltage (RMS)*	Behind panel "B" (in./mm Ref.)	Diameter "D" (in./mm Ref.)	Dimension "C" (in./mm Ref.)	Shaft torque	Rotation (±5°)
H	RHS/RHL	25	1.0-25K	open	500	1.375/34.93	1.560/ 39.62	0.940/23.88	0.25-0.5 lb. in.	300°
J	RJS	50	0.5-50K	open	750	1.375/34.93	2.31 / 58.67	1.56 /39.62	0.25-2 lb. in.	300°
G	RGS	75	0.5-50K	open	900	1.750/44.45	2.75 / 69.25	1.78 /45.21	0.5-2 lb. in.	300°
K	RKS	100	0.5-50K	open	1000	1.750/44.45	3.125/ 79.38	1.91 /48.51	0.5-2 lb. in.	300°
L	RLS	150	0.5-50K	open	1200	2.000 / 50.8	4.00 /101.60	2.28 /57.91	0.5-3 lb. in.	300°

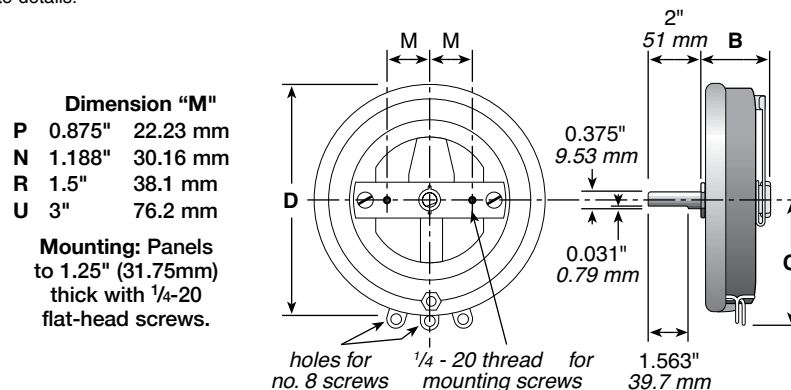
- Models H, J, G, and K also available in enclosed versions.
- See Catalog #203 for complete details.



### MODELS P, N, R, U

Model	Type	Watts	Ohmic range	Core	Max. Voltage (RMS)*	Behind panel "B" (in./mm Ref.)	Diameter "D" (in./mm Ref.)	Dimension "C" (in./mm Ref.)	Shaft torque	Rotation (±5°)
P	RPS	225	1.0-30K	open	1300	2.125/53.98	5.00 /127.00	2.97 /75.44	2.5-4 lb. in.	310°
N	RNS	300	1.0-50K	open	1225	2.375/60.33	6.00 /152.40	3.44 /87.38	2.5-5 lb. in.	320°
R	RRS	500	1.0-20K	open	1450	2.125/53.98	8.00 /203.20	4.31/109.47	4.5-7 lb. in.	325°
U	RUS	1000	1.0-20K	open	1600	3.000 / 76.2	12.00 /304.80	6.38/162.05	3.5-7 lb. in.	335°

- See Catalog #203 for complete details.



(continued)

# Rheostats

## (Potentiometers) Wirewound

### ORDERING INFORMATION

Code	Watts	Model	Shaft	Core
CL =	7.5	C	Locking	Enclosed
CS =	7.5	J	Standard	Enclosed
EE =	12.5	C	Standard	Enclosed
EL =	12.5	H	Locking	Open
ES =	12.5	G	Standard	Open
GS =	75	H	Standard	Open
HL =	25	F	Locking	Open
HS =	25	F	Standard	Open
JS =	50	J	Standard	Open
KS =	100	K	Standard	Open
LS =	150	K	Standard	Open
NS =	300	P	Standard	Open
PS =	225	P	Standard	Open
RS =	500	P	Standard	Open
US =	1000	U	Standard	Open



Resistance Value\*

Example:  
R50 = 0.50Ω  
1R0 = 1Ω  
7R5 = 7.5Ω  
250 = 250Ω  
1K0 = 1,000Ω  
1K75 = 1,750Ω  
4K5 = 4,500Ω  
50K = 50,000Ω

- RoHS compliant product available. Add "E" suffix to part number to specify.
- Made-to-order rheostats available: Contact nearest Ohmite sales office.
- \* Voltage rating dependent on resistance value.

\*Check table for standard resistance values and maximum current values

Ohmic value	Part No. Prefix Suffix	7.5W Model C			12.5W Model E			25W Model H			50W Model J	75W Model G	100W Model K	150W Model L	225W Model P	300W Model N	500W Model R	1000W Model U											
		RCS	RCL	Amps max.	RES	REL	REE	Amps max.	RHS	RHL	Amps max.	RJS	Amps max.	RGS	Amps max.	RKS	Amps max.	RLS	Amps max.	RPS	Amps max.	RNS	Amps max.	RRS	Amps max.	RUS	Amps max.		
0.5	R50			✓	✓	✓	3.53	✓	✓	5.00	✓	12.3	✓	17.3	✓	15.0	✓	22.3	✓	31.6									
1	1R0										✓	8.66	✓	12.3	✓	10.6	✓	18.2	✓	25.8									
1.5	1R5												✓	10	✓	12.24	✓	15.8	✓	22.4									
2	2R0						2.50	✓	✓	3.54	✓	6.12	✓	7.07	✓	8.65	✓	14.1	✓	20.0									
2.5	2R5						2.24	✓	✓																				
3	3R0						2.04	✓	✓	2.88		✓	5.00	✓	5.75	✓	7.07	✓	8.66	✓	10.00	✓	12.9	✓	15.8	✓	18.3		
4	4R0										✓	3.53	✓	4.47	✓	5.48	✓	6.71	✓	8.66	✓	10.0	✓	11.2	✓	15.8	✓	15.8	
5	5R0						1.58	✓	✓	2.04	✓	2.88	✓	3.16	✓	3.65	✓	4.47	✓	5.49	✓	6.32	✓	7.90	✓	10.0	✓	14.1	
6	6R0						1.44	✓	✓																				
7.5	7R5																												
8	8R0						1.25	✓	✓	1.77	✓	2.50	✓	2.74	✓	3.16	✓	3.88	✓	4.74	✓	5.48	✓	7.90	✓	11.2	✓	11.2	
10	10R	✓	✓	0.86	✓	✓	1.12	✓	✓	1.58	✓	2.04	✓	3.16	✓	3.88	✓	4.74	✓	5.48	✓	6.30	✓	8.95	✓	10.0	✓	10.0	
12	12R																												
12.5	12R5																												
15	15R	✓	✓	0.71	✓	✓	0.91	✓	✓	1.29																			
16	16R										✓	1.76	✓	2.17	✓	2.50	✓	3.163	✓	3.87	✓	4.47	✓	5.60	✓	7.90	✓	7.90	
22	22R										✓	1.50	✓	1.73	✓	2.0	✓	2.450	✓	3.00	✓	3.46	✓	4.47	✓	6.33	✓	6.33	
25	25R	✓	✓	0.55	✓	✓	0.71	✓	✓	1.00																			
35	35R	✓	✓	0.46	✓	✓	0.60	✓	✓	0.845																			
40	40R																												
50	50R	✓	✓	0.39	✓	✓	0.50	✓	✓	0.707	✓	1.00	✓	1.23	✓	1.41	✓	1.735	✓	2.12	✓	2.45	✓	3.16	✓	4.47	✓	4.47	
75	75R	✓	✓	0.32	✓	✓	0.40	✓	✓	0.575																			
80	80R																												
100	100	✓	✓	0.27	✓	✓	0.36	✓	✓	0.500																			
125	125	✓	✓	0.22	✓	✓	0.32	✓	✓	0.445	✓	0.630	✓	0.866	✓	1.00	✓	1.225	✓	1.50	✓	1.73	✓	2.00	✓	3.16	✓	3.16	
150	150	✓	✓	0.22	✓	✓	0.29	✓	✓		✓	0.575																	
160	160																												
175	175						0.27	✓	✓	0.375																			
200	200	✓	✓	0.19	✓	✓	0.25	✓	✓				✓	0.612	✓	0.707	✓	0.865	✓	1.06	✓	1.22	✓	1.69	✓	2.39	✓	2.39	
225	225										✓	0.470	✓	0.707	✓	0.865	✓	1.06	✓	1.22	✓	1.41	✓	2.11	✓	2.11	✓	2.11	
250	250	✓	✓	0.17	✓	✓	0.22	✓	✓	0.316																			
300	300										✓	0.408	✓	0.500	✓	0.575	✓	0.775	✓	0.866	✓	1.00	✓	1.41	✓	1.83	✓	1.83	
325	325																												
350	350	✓	✓	0.15	✓	✓	0.19	✓	✓	0.267																			
400	400																												
500	500	✓	✓	0.12	✓	✓	0.16	✓	✓	0.222	✓	0.316	✓	0.388	✓	0.447	✓	0.548	✓	0.750	✓	0.866	✓	1.00	✓	1.41	✓	1.41	
600	600																												
700	700																												
750	750	✓	✓	0.10	✓	✓	0.13	✓	✓	0.182																			
800	800										✓	0.250	✓	0.316	✓	0.365	✓	0.447	✓	0.567	✓	0.655	✓	0.817	✓	1.15	✓	1.15	
900	900																												
1000	1K0	✓	✓	0.086	✓	✓	0.10	✓	✓	0.155	✓	0.224	✓	0.274	✓	0.316	✓	0.396	✓	0.500	✓	0.578	✓	0.707	✓	1.00	✓	1.00	
1200	1K2																												
1250	1K25																												
1500	1K5	✓	✓	0.071	✓	✓	0.090	✓	✓	0.129																			
1600	1K6																												
1750	1K75																												
1800	1K8																												
2000	2K0																												
2250	2K25																												
2500	2K5	✓	✓	0.055	✓	✓	0.070	✓	✓	0.100	✓	0.141	✓	0.173	✓	0.200	✓	0.259	✓	0.300	✓	0.346	✓	0.447	✓	0.633	✓	0.633	
3000	3K0																												
3500	3K5	✓	✓	0.046	✓	✓	0.060	✓	✓	0.084	✓	0.119	✓	0.141	✓	0.161	✓	0.200	✓	0.245	✓	0.282	✓	0.365	✓	0.500	✓	0.500	
4500	4K5																												
5000	5K0	✓	✓	0.039	✓	✓	0.050	✓	✓	0.070	✓	0.100	✓	0.123	✓	0.141	✓	0.173	✓	0.212	✓	0.245	✓	0.316	✓	0.44			