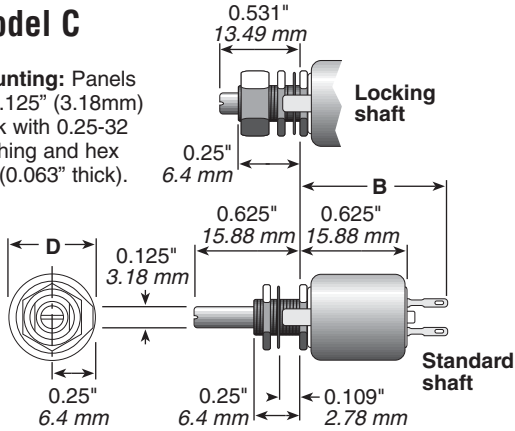


Rheostats

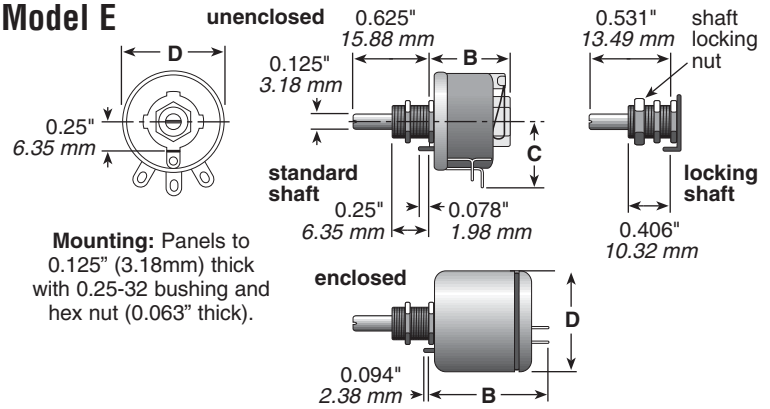
(Potentiometers) Wirewound

Model C

Mounting: Panels to 0.125" (3.18mm) thick with 0.25-32 bushing and hex nut (0.063" thick).

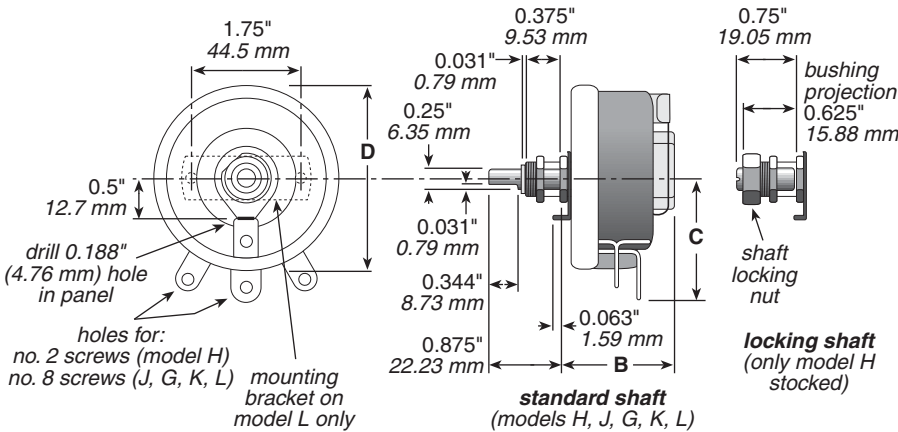


Model E



Mounting: Panels to 0.125" (3.18mm) thick with 0.25-32 bushing and hex nut (0.063" thick).

Models H, J, G, K, L



Mounting: Panels to 0.25" (6.35mm) thick with 0.375-32 bushing and hex nut (0.094" thick) (or with 10-32 x 0.75 F.H. screws for model L only).

Dimensions for reference only; consult factory for details.

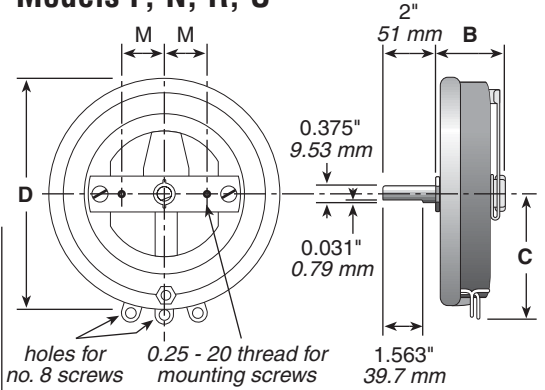
Since all rheostats/potentiometers are electro-mechanical devices, they are subject to mechanical wear and, therefore, have a finite life.

Models H, J, K, L and N are listed under UL Reexamination Service File No. E-10946 and CSA File No. 21309 unless noted otherwise.

All rheostats are 10% tolerance.

See page 93 for knobs, dials, and other hardware

Models P, N, R, U



ORDERING INFORMATION

Series	E = RoHS compliant				
Rheostats	RCSR50E				
Wirewound					
Potentiometers					
Code	Watts	Model	Shaft	Core	Resistance Value*
CL =	7.5	C	Locking	Enclosed	R50 = 0.50Ω
CS =	7.5	C	Standard	Enclosed	1R0 = 1Ω
EE =	12.5	E	Standard	Enclosed	7R5 = 7.5Ω
EL =	12.5	E	Locking	Open	250 = 250Ω
ES =	12.5	E	Standard	Open	1K0 = 1,000Ω
GS =	75	G	Standard	Open	1K75 = 1,750Ω
HL =	25	H	Locking	Open	4K5 = 4,500Ω
HS =	25	H	Standard	Open	50K = 50,000Ω
JS =	50	J	Standard	Open	
KS =	100	K	Standard	Open	
LS =	150	L	Standard	Open	
NS =	300	N	Standard	Open	
PS =	225	P	Standard	Open	
RS =	500	R	Standard	Open	
US =	1000	U	Standard	Open	

*Check Table for Standard Resistance Values and Maximum Current Values

Model	Type	Watts	Ohmic range	Core	Max. Voltage (RMS)*	Behind panel "B" (ln./mm)	Diameter "D" (ln./mm)	Dimension "C" (ln./mm)	Shaft torque	Rotation (±5°)
E	RES/REL	12.5	1.0-15K	open	305	0.688/17.46	0.875/ 22.23	0.594/15.08	1-6 oz. in.	300°
H	RHS/RHL	25	1.0-25K	open	500	1.375/34.93	1.560/ 39.62	0.940/23.88	0.25-0.5 lb. in.	300°
J	RJS	50	0.5-50K	open	750	1.375/34.93	2.31 / 58.67	1.56 /39.62	0.25-2 lb. in.	300°
G	RGS	75	0.5-50K	open	900	1.750/44.45	2.75 / 69.25	1.78 /45.21	0.5-2 lb. in.	300°
K	RKS	100	0.5-50K	open	1000	1.750/44.45	3.125/ 79.38	1.91 /48.51	0.5-2 lb. in.	300°
L	RLS	150	0.5-50K	open	1200	2.000 / 50.8	4.00 /101.60	2.28 /57.91	0.5-3 lb. in.	300°
P	RPS	225	1.0-30K	open	1300	2.125/53.98	5.00 /127.00	2.97 /75.44	2.5-4 lb. in.	310°
N	RNS	300	1.0-50K	open	1225	2.375/60.33	6.00 /152.40	3.44 /87.38	2.5-5 lb. in.	320°
R	RRS	500	1.0-20K	open	1450	2.125/53.98	8.00 /203.20	4.31/109.47	4.5-7 lb. in.	325°
U	RUS	1000	1.0-20K	open	1600	3.000 / 76.2	12.00 /304.80	6.38/162.05	3.5-7 lb. in.	335°
C	RCS/RCL	7.5	10.0-5K	enclosed	305	0.875/22.23	0.515/ 13.08	—	0.25-3 oz. in.	300°
E	REE	12.5	1.0-15K	enclosed	305	1.219/30.96	1.047/ 26.59	—	1-6 oz. in.	300°

- Models H, J, G, and K also available in enclosed versions.
- See Catalog #203 for complete details.
- RoHS compliant product available. Add "E" suffix to part number to specify.
- Made-to-order rheostats available: Contact nearest Ohmite sales office.
- * Voltage rating dependent on resistance value.

STANDARD PART NUMBERS FOR RHEOSTATS

Ohmic value	Part No. Prefix □ Suffix □	7.5W Model C			12.5W Model E			25W Model H			50W Model J	75W Model G	100W Model K	150W Model L	225W Model P	300W Model N	500W Model R	1000W Model U
		Std. shaft RCS	Locking RCL	Amps max.	Std. shaft RES	Locking REL	Enclosed REE	Amps max.	Std. shaft RHS	Locking RHL	Amps max.	RJS Amps max.	RGS Amps max.	RKS Amps max.	RLS Amps max.	RPS Amps max.	RNS Amps max.	RRS Amps max.
0.5	R50										✓ 10.0	✓ 12.3	✓ 14.1	✓ 17.3				
1	1R0				✓	✓	✓ 3.53	✓	✓	5.00	✓ 7.07	✓ 8.66	✓ 10	✓ 12.3	✓ 15.0	✓ 17.32	✓ 22.3	✓ 31.6
1.5	1R5				✓	✓	✓ 3.53	✓	✓	5.00							✓ 18.2	✓ 25.8
2	2R0				✓	✓	✓ 2.50	✓	✓	3.54	✓ 5.00	✓ 6.12	✓ 7.07	✓ 8.65	✓ 10.6	✓ 12.24	✓ 15.8	✓ 22.4
2.5	2R5				✓	✓	✓ 2.24	✓	✓	2.04						✓ 14.1	✓ 20.0	
3	3R0				✓	✓	✓ 2.04	✓	✓	2.88		✓ 5.00	✓ 5.75	✓ 7.07	✓ 8.66	✓ 10.00	✓ 12.9	✓ 18.3
4	4R0										✓ 3.53				✓ 7.50	✓ 8.66	✓ 11.2	✓ 15.8
5	5R0				✓	✓	✓ 1.58					✓ 3.88	✓ 4.47	✓ 5.48	✓ 6.71	✓ 7.75	✓ 10.0	✓ 14.1
6	6R0				✓	✓	✓ 1.44	✓	✓	2.04	✓ 2.88							
7.5	7R5											✓ 3.16	✓ 3.65	✓ 4.47	✓ 5.49	✓ 6.32		
8	8R0				✓	✓	✓ 1.25	✓	✓	1.77	✓ 2.50						✓ 7.90	✓ 11.2
10	10R	✓	✓	0.86	✓	✓	✓ 1.12	✓	✓	1.58				✓ 4.74	✓ 5.48			✓ 10.0
12	12R										✓ 2.04							
12.5	12R5																✓ 6.30	✓ 8.95
15	15R	✓	✓	0.71	✓	✓	✓ 0.91	✓	✓	1.29				✓ 3.163	✓ 3.87	✓ 4.47		
16	16R										✓ 1.76						✓ 5.60	✓ 7.90
22	22R										✓ 1.50							
25	25R	✓	✓	0.55	✓	✓	✓ 0.71	✓	✓	1.00		✓ 1.73	✓ 2.0	✓ 2.450	✓ 3.00	✓ 3.46	✓ 4.47	✓ 6.33
35	35R	✓	✓	0.46	✓	✓	✓ 0.60	✓	✓	0.845	✓ 1.19			✓ 2.070				
40	40R																✓ 3.54	
50	50R	✓	✓	0.39	✓	✓	✓ 0.50	✓	✓	0.707	✓ 1.00	✓ 1.23	✓ 1.41	✓ 1.735	✓ 2.12	✓ 2.45	✓ 3.16	✓ 4.47
75	75R	✓	✓	0.32	✓	✓	✓ 0.40	✓	✓	0.575		✓ 1.00	✓ 1.15	✓ 1.415	✓ 1.73	✓ 2.00	✓ 2.52	✓ 3.65
80	80R										✓ 0.790						✓ 2.52	
100	100R	✓	✓	0.27	✓	✓	✓ 0.36	✓	✓	0.500		✓ 0.866	✓ 1.00	✓ 1.225	✓ 1.50	✓ 1.73	✓ 2.00	✓ 3.16
125	125R				✓	✓	✓ 0.32	✓	✓	0.445	✓ 0.630						✓ 2.00	
150	150R	✓	✓	0.22	✓	✓	✓ 0.29				✓ 0.575			✓ 1.000	✓ 1.22	✓ 1.41		
160	160R																	
175	175R				✓	✓	✓ 0.27	✓	✓	0.375							✓ 1.69	✓ 2.39
200	200R	✓	✓	0.19	✓	✓	✓ 0.25					✓ 0.612	✓ 0.707	✓ 0.865	✓ 1.06	✓ 1.22		
225	225R										✓ 0.470							✓ 2.11
250	250R	✓	✓	0.17	✓	✓	✓ 0.22	✓	✓	0.316				✓ 0.775			✓ 1.41	
300	300R										✓ 0.408	✓ 0.500	✓ 0.575		✓ 0.866	✓ 1.00		✓ 1.83
325	325R																✓ 1.24	
350	350R	✓	✓	0.15	✓	✓	✓ 0.19	✓	✓	0.267				✓ 0.655				
400	400R											✓ 0.433	✓ 0.500		✓ 0.750	✓ 0.866		✓ 1.48
500	500R	✓	✓	0.12	✓	✓	✓ 0.16	✓	✓	0.222	✓ 0.316	✓ 0.388	✓ 0.447	✓ 0.548			✓ 1.00	✓ 1.41
600	600R														✓ 0.567	✓ 0.655		
700	700R																	
750	750R	✓	✓	0.10	✓	✓	✓ 0.13	✓	✓	0.182		✓ 0.316	✓ 0.365	✓ 0.447			✓ 0.817	✓ 1.15
800	800R										✓ 0.250							
900	900R														✓ 0.500	✓ 0.578		
1000	1K0	✓	✓	0.086	✓	✓	✓ 0.10	✓	✓	0.155	✓ 0.224	✓ 0.274	✓ 0.316		✓ 0.433	✓ 0.500	✓ 0.707	✓ 1.00
1200	1K2																	
1250	1K25													✓ 0.346				
1500	1K5	✓	✓	0.071	✓	✓	✓ 0.090	✓	✓	0.129		✓ 0.224	✓ 0.258	✓ 0.387	✓ 0.447	✓ 0.577	✓ 0.816	
1600	1K6										✓ 0.176							
1750	1K75														✓ 0.358	✓ 0.414		
1800	1K8													✓ 0.288				
2000	2K0											✓ 0.194	✓ 0.224		✓ 0.336	✓ 0.387	✓ 0.500	
2250	2K25													✓ 0.259				
2500	2K5	✓	✓	0.055	✓	✓	✓ 0.070	✓	✓	0.100	✓ 0.141	✓ 0.173	✓ 0.200		✓ 0.300	✓ 0.346	✓ 0.447	✓ 0.633
3000	3K0													✓ 0.224				
3500	3K5	✓	✓	0.046	✓	✓	✓ 0.060	✓	✓	0.084	✓ 0.119							
4500	4K5													✓ 0.182				
5000	5K0	✓	✓	0.039	✓	✓	✓ 0.050	✓	✓	0.070	✓ 0.100	✓ 0.123	✓ 0.141					
7500	7K5				✓	✓	✓ 0.041	✓	✓	0.058		✓ 0.100	✓ 0.115	✓ 0.141				
8000	8K0										✓ 0.079							
10000	10K				✓	✓	✓ 0.035	✓	✓	0.050	✓ 0.070	✓ 0.087	✓ 0.100	✓ 0.122				
12500	12K5				✓	✓	✓ 0.031											
15000	15K				✓	✓	✓ 0.029	✓	✓	0.041	✓ 0.058							
20000	20K							✓	✓	0.035	✓ 0.050							
25000	25K							✓	✓	0.032	✓ 0.045							
30000	30K							✓	✓	0.041	✓ 0.041							
40000	40K							✓	✓	0.035	✓ 0.035							
50000	50K							✓	✓	0.032	✓ 0.032							

✓ = Standard values; check availability
Rheostats are silicone-ceramic coated at and
above the following ohmic values:
Model C: all Model G: 5000Ω
Model E: 750Ω Model K: 5000Ω
Model H: 2000Ω Model L: 7500Ω
Model J: 5000Ω

Check product availability at
www.ohmite.com