

Rheostats

(Potentiometers) Wirewound



MODEL C

Model Type	Watts	Ohmic range	Core	Max. Voltage (RMS)*	Behind panel "B" (in./mm Ref.)	Diameter "D" (in./mm Ref.)	Dimension "C" (in./mm Ref.)	Shaft torque	Rotation (±5°)
C RCS/RCL	7.5	10.0-5K	enclosed	305	0.875/22.23	0.515/ 13.08	—	0.25-3 oz. in.	300°

• See Catalog #203 for complete details.



MODEL E

Model Type	Watts	Ohmic range	Core	Max. Voltage (RMS)*	Behind panel "B" (in./mm Ref.)	Diameter "D" (in./mm Ref.)	Dimension "C" (in./mm Ref.)	Shaft torque	Rotation (±5°)
E RES/REL	12.5	1.0-15K	open	305	0.688/17.46	0.875/ 22.23	0.594/15.08	1-6 oz. in.	300°
E REE	12.5	1.0-15K	enclosed	305	1.219/30.96	1.047/ 26.59	—	1-6 oz. in.	300°

• See Catalog #203 for complete details.



Dimensions for reference only; consult factory for details.

Since all rheostats/potentiometers are electro-mechanical devices, they are subject to mechanical wear and, therefore, have a finite life.

Models H, J, K, L and N are listed under UL File No. E-10946 and CSA File No. 21309 unless noted otherwise.

All rheostats are 10% tolerance.

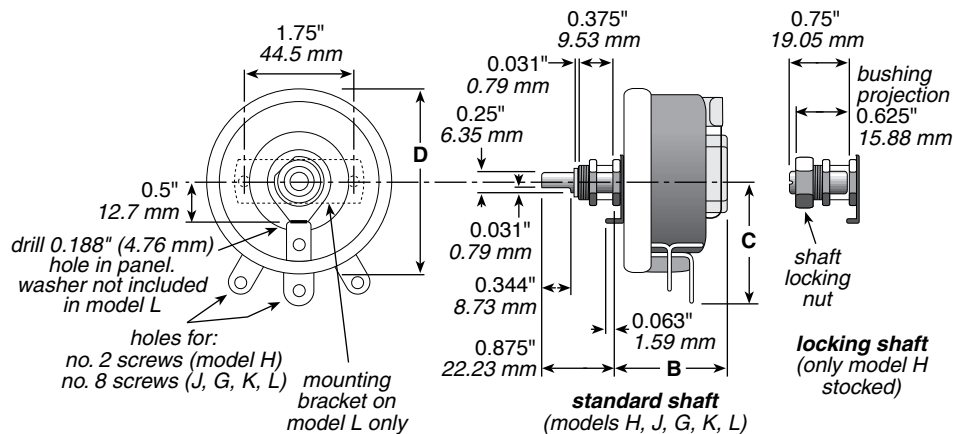
Rheostats

(Potentiometers) Wirewound

MODELS H, J, G, K, L

Model	Type	Watts	Ohmic range	Core	Max. Voltage (RMS)*	Behind panel "B" (in./mm Ref.)	Diameter "D" (in./mm Ref.)	Dimension "C" (in./mm Ref.)	Shaft torque	Rotation (±5°)
H	RHS/RHL	25	1.0-25K	open	500	1.375/34.93	1.560/ 39.62	0.940/23.88	0.25-0.5 lb. in.	300°
J	RJS	50	0.5-50K	open	750	1.375/34.93	2.31 / 58.67	1.56 /39.62	0.25-2 lb. in.	300°
G	RGS	75	0.5-50K	open	900	1.750/44.45	2.75 / 69.25	1.78 /45.21	0.5-2 lb. in.	300°
K	RKS	100	0.5-50K	open	1000	1.750/44.45	3.125/ 79.38	1.91 /48.51	0.5-2 lb. in.	300°
L	RLS	150	0.5-50K	open	1200	2.000 / 50.8	4.00 /101.60	2.28 /57.91	0.5-3 lb. in.	300°

- Models H, J, G, and K also available in enclosed versions.
- See Catalog #203 for complete details.

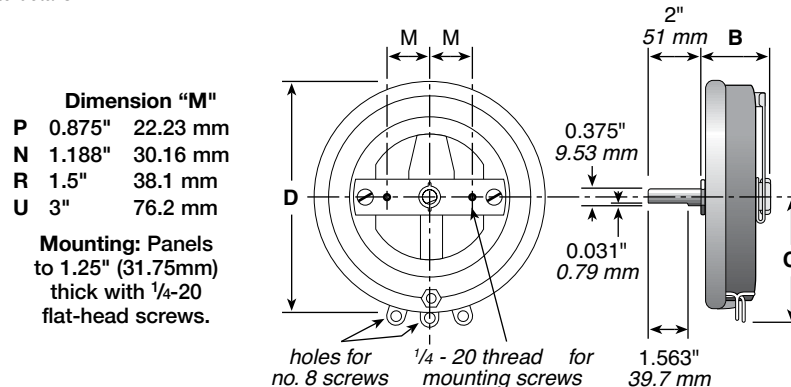


Mounting: Panels to 0.25" (6.35mm) thick with 3/8-32 bushing and hex nut (3/32" thick) (or with 10-32 x 0.75 flat-head screws for model L only).

MODELS P, N, R, U

Model	Type	Watts	Ohmic range	Core	Max. Voltage (RMS)*	Behind panel "B" (in./mm Ref.)	Diameter "D" (in./mm Ref.)	Dimension "C" (in./mm Ref.)	Shaft torque	Rotation (±5°)
P	RPS	225	1.0-30K	open	1300	2.125/53.98	5.00 /127.00	2.97 /75.44	2.5-4 lb. in.	310°
N	RNS	300	1.0-50K	open	1225	2.375/60.33	6.00 /152.40	3.44 /87.38	2.5-5 lb. in.	320°
R	RRS	500	1.0-20K	open	1450	2.125/53.98	8.00 /203.20	4.31/109.47	4.5-7 lb. in.	325°
U	RUS	1000	1.0-20K	open	1600	3.000 / 76.2	12.00 /304.80	6.38/162.05	3.5-7 lb. in.	335°

- See Catalog #203 for complete details.



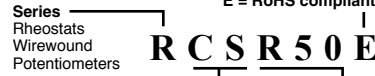
(continued)

Rheostats

(Potentiometers) Wirewound

ORDERING INFORMATION

Code	Watts	Model	Shaft	Core
CL =	7.5	C	Locking	Enclosed
CS =	7.5	J	Standard	Enclosed
EE =	12.5	C	Standard	Enclosed
EL =	12.5	H	Locking	Open
ES =	12.5	G	Standard	Open
GS =	75	C	Standard	Open
HL =	25	H	Locking	Open
HS =	25	J	Standard	Open
JS =	50	H	Standard	Open
KS =	100	K	Standard	Open
LS =	150	K	Standard	Open
NS =	300	P	Standard	Open
PS =	225	P	Standard	Open
RS =	500	P	Standard	Open
US =	1000	C	Standard	Open



Resistance Value*
 Example:
 R50 = 0.50Ω
 1R0 = 1Ω
 7R5 = 7.5Ω
 250 = 250Ω
 1K0 = 1,000Ω
 1K75 = 1,750Ω
 4K5 = 4,500Ω
 50K = 50,000Ω

- RoHS compliant product available. Add "E" suffix to part number to specify.
- Made-to-order rheostats available: Contact nearest Ohmite sales office.
- * Voltage rating dependent on resistance value.

*Check table for standard resistance values and maximum current values

Ohmic value	Part No. Prefix Suffix	7.5W Model C			12.5W Model E			25W Model H			50W Model J	75W Model G	100W Model K	150W Model L	225W Model P	300W Model N	500W Model R	1000W Model U												
		RCS	RCL	Amps max.	RES	REL	REE	Amps max.	RHS	RHL	Amps max.	RJS	Amps max.	RGS	Amps max.	RKS	Amps max.	RLS	Amps max.	RPS	Amps max.	RNS	Amps max.	RRS	Amps max.	RUS	Amps max.			
0.5	R50						3.53			5.00				12.3					15.0											31.6
1	1R0													8.66					17.32										25.8	
1.5	1R5													10					12.24										22.4	
2	2R0													7.07					10.6										20.0	
2.5	2R5													5.00					8.66										18.3	
3	3R0													3.53					7.50										15.8	
4	4R0													2.88					6.71										14.1	
5	5R0													2.04					5.49										12.9	
6	6R0													1.58					4.47										11.2	
7.5	7R5													1.44					3.87										10.0	
8	8R0													1.25					3.46										9.5	
10	10R		0.86											1.12					3.00										8.95	
12	12R													1.00					2.70										8.3	
12.5	12R5													0.91					2.45										7.90	
15	15R		0.71											0.845					2.07										7.90	
16	16R													1.00					3.46										7.33	
22	22R													0.845					3.00										6.33	
25	25R		0.55											1.00					3.00										5.60	
35	35R		0.46											0.845					2.07										4.47	
40	40R													0.845					2.07										3.54	
50	50R		0.39											1.00					2.12										4.47	
75	75R		0.32											1.23					1.73										3.65	
80	80R													1.00					2.00										2.52	
100	100R		0.27											1.00					1.50										3.16	
125	125R													0.445					1.73										2.00	
150	150R		0.22											0.575					1.41										1.69	
160	160R													0.575					1.22										2.39	
175	175R													0.470					1.06										2.11	
200	200R		0.19											0.470					0.865										1.83	
225	225R													0.470					0.865										1.48	
250	250R		0.17											0.316					0.750										1.41	
300	300R													0.408					0.866										1.83	
325	325R													0.316					0.866										1.48	
350	350R		0.15											0.267					0.750										1.41	
400	400R													0.267					0.750										1.41	
500	500R		0.12											0.222					0.567										1.15	
600	600R													0.222					0.567										1.15	
700	700R													0.222					0.567										1.15	
750	750R		0.10											0.182					0.655										1.15	
800	800R													0.182					0.655										1.15	
900	900R													0.250					0.447										1.15	
1000	1K0		0.086											0.224					0.500										1.00	
1200	1K2													0.224					0.500										1.00	
1250	1K25													0.224					0.500										1.00	
1500	1K5		0.071											0.129					0.387										0.816	
1600	1K6													0.129					0.387										0.816	
1750	1K75													0.176					0.578										1.00	
1800	1K8													0.176					0.578										1.00	
2000	2K0													0.250					0.817										1.15	
2250	2K25													0.250					0.817										1.15	
2500	2K5		0.055											0.100					0.300										0.633	
3000	3K0													0.141					0.346										0.633	
3500	3K5		0.046											0.119					0.346										0.633	
4500	4K5													0.087					0.224										0.633	
5000	5K0		0.039											0.100					0.346										0.633	
7500	7K5													0.058					0.224										0.633	
8000	8K0													0.079					0.224										0.633	
10000	10K													0.070					0.224										0.633	
12500	12K5													0.050					0.224										0.633	
15000	15K													0.031					0.224										0.633	
20000	20K													0.029					0.224										0.633	
25000	25K													0.041					0.224										0.633	
30000	30K													0.035					0.224										0.633	
40000	40K													0.032					0.224										0.633	
50000	50K													0.032					0.224										0.633	

✓ = Standard values; check availability
 Rheostats are silicone-ceramic coated at and above the following ohmic values:
 Model C: all Model G: 5000Ω
 Model E: 750Ω Model K: 5000Ω
 Model H: 2000Ω Model L: 7500Ω
 Model J: 5000Ω