

Potentiometers

Molded composition



Ohmite molded composition potentiometers are available in various models for applications in military devices, industrial equipment and in equipment requiring a convenient resistance control device.

FEATURES

- Low noise, smooth operation
- In accordance with “Mil” RV4N, RV4L, RV6L, RV6N, 2RV7N types
- RoHS compliant; non-RoHS version unavailable.



SERIES SPECIFICATIONS

| Model | Watts | Ohmic range | Behind panel (in./mm) | Diameter (in./mm) | Rotation | Voltage (RMS) |
|-------|-------|-------------|-----------------------|-------------------|----------|---------------|
| AS | 0.5 | 50-5M | 0.703/17.9 | 0.50/12.7 | 295° ±5° | 350 |
| ASM | 0.5 | 50-5M | 0.703/17.9 | 0.50/12.7 | 295° ±5° | 350 |
| CA | 2.0 | 50-5M | 0.625/15.9 | 1.16/29.4 | 312° ±3° | 500 |
| CB | 2.0 | 50-5M | 0.625/15.9 | 1.16/29.4 | 312° ±3° | 500 |
| CU | 2.0 | 50-5M | 0.625/15.9 | 1.16/29.4 | 312° ±3° | 500 |
| CCU | 2.0 | 50-5M | 1.266/32.1 | 1.16/29.4 | 312° ±3° | 500 |
| CLU | 2.0 | 50-5M | 0.625/15.9 | 1.16/29.4 | 312° ±3° | 500 |
| CMU | 2.0 | 50-5M | 0.625/15.9 | 1.16/29.4 | 312° ±3° | 500 |

CHARACTERISTICS

Derating linear from 100% at +70°C to 0% at +120°C

Operating temp. range -55°C to 120°C

Construction Elements molded into a single, integral structure. Metal cover protects and shields the internal parts.

Sealing synthetic resin containing non-mercurial fungicide

Product life Since all rheostats/potentiometers are electro-mechanical devices, they are subject to mechanical wear and, therefore, have a finite life.

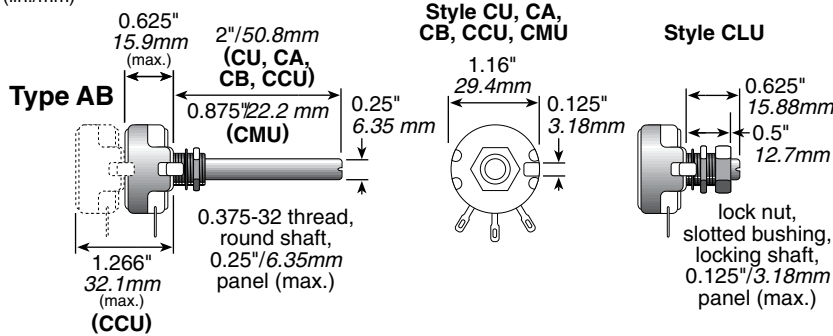
(continued)

Potentiometers

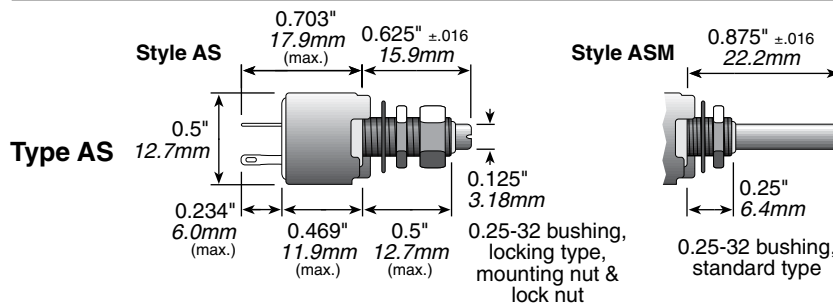
Molded composition

DIMENSIONS

(iin./mm)



| Model | Watts | Behind panel | Diameter | Rotation |
|-------|-------|--------------|-----------|----------|
| AS | 0.5 | 0.703/17.9 | 0.50/12.7 | 295° ±5° |
| ASM | 0.5 | 0.703/17.9 | 0.50/12.7 | 295° ±5° |
| CA | 2.0 | 0.625/15.9 | 1.16/29.4 | 312° ±3° |
| CB | 2.0 | 0.625/15.9 | 1.16/29.4 | 312° ±3° |
| CU | 2.0 | 0.625/15.9 | 1.16/29.4 | 312° ±3° |
| CCU | 2.0 | 1.266/32.1 | 1.16/29.4 | 312° ±3° |
| CLU | 2.0 | 0.625/15.9 | 1.16/29.4 | 312° ±3° |
| CMU | 2.0 | 0.625/15.9 | 1.16/29.4 | 312° ±3° |



ORDERING INFORMATION

| Ohmic value | MIL Designation | | | Part No. | | | | | | | | | | |
|-------------|-----------------|--------|------------------------|----------|----|----|----|-----|-----|-----------|------------|----------|----------|----------|
| | Prefix | Suffix | Part No. Prefix Suffix | CMU | CU | CA | CB | CLU | CCU | RV6LAYSA | RV6NAVSD | RV6LAYSA | RV6NAVSD | RV6NAVSD |
| 50 | 500A | 5001 | | ✓ | ✓ | | | ✓ | | | | | | |
| 100 | 101A | 1011 | | ✓ | ✓ | | | ✓ | | ✓ AS3601E | ✓ ASM6661E | | | |
| 150 | 151A | 1511 | | ✓ | ✓ | | | ✓ | | | | | | |
| 250 | 251A | 2511 | | ✓ | ✓ | | | ✓ | | ✓ AS3602E | ✓ ASM6662E | | | |
| 350 | 351A | 3511 | | ✓ | ✓ | | | ✓ | | | | | | |
| 500 | 501A | 5011 | | ✓ | ✓ | | | ✓ | | ✓ AS3603E | ✓ ASM6663E | | | |
| 750 | 751A | 7511 | | ✓ | ✓ | | | ✓ | | | | | | |
| 1,000 | 102A | 1021 | | ✓ | ✓ | | | ✓ | | ✓ AS3604E | ✓ ASM6664E | | | |
| 1,500 | 152A | 1521 | | ✓ | ✓ | | | ✓ | | | | | | |
| 2,500 | 252A | 2521 | | ✓ | ✓ | | | ✓ | | ✓ AS3605E | ✓ ASM6665E | | | |
| 3,500 | 352A | 3521 | | ✓ | ✓ | | | ✓ | | | | | | |
| 5,000 | 502A | 5021 | | ✓ | ✓ | | | ✓ | | ✓ AS3606E | ✓ ASM6666E | | | |
| 7,500 | 752A | 7521 | | ✓ | ✓ | | | ✓ | | | | | | |
| 10,000 | 103A | 1031 | | ✓ | ✓ | | | ✓ | | ✓ AS3607E | ✓ ASM6667E | | | |
| 15,000 | 153A | 1531 | | ✓ | ✓ | | | ✓ | | | | | | |
| 25,000 | 253A | 2531 | | ✓ | ✓ | | | ✓ | | ✓ AS3608E | ✓ ASM6668E | | | |
| 35,000 | 353A | 3531 | | ✓ | ✓ | | | ✓ | | | | | | |

✓ = Standard values; check availability
 * add "-E" for RoHS-compliant lead-free zinc-nickel plated product