

Potentiometers

Molded composition



Ohmite molded composition potentiometers are available in various models for applications in military devices, industrial equipment and in equipment requiring a convenient resistance control device.

FEATURES

- Low noise, smooth operation
- In accordance with “Mil” RV4N, RV4L, RV6L, RV6N, 2RV7N types
- RoHS compliant; non-RoHS version unavailable.



SERIES SPECIFICATIONS

Model	Watts	Ohmic range	Behind panel (in./mm)	Diameter (in./mm)	Rotation	Voltage (RMS)
AS	0.5	50-5M	0.703/17.9	0.50/12.7	295° ±5°	350
ASM	0.5	50-5M	0.703/17.9	0.50/12.7	295° ±5°	350
CA	2.0	50-5M	0.625/15.9	1.16/29.4	312° ±3°	500
CB	2.0	50-5M	0.625/15.9	1.16/29.4	312° ±3°	500
CU	2.0	50-5M	0.625/15.9	1.16/29.4	312° ±3°	500
CCU	2.0	50-5M	1.266/32.1	1.16/29.4	312° ±3°	500
CLU	2.0	50-5M	0.625/15.9	1.16/29.4	312° ±3°	500
CMU	2.0	50-5M	0.625/15.9	1.16/29.4	312° ±3°	500

CHARACTERISTICS

Derating linear from 100% at +70°C to 0% at +120°C

Operating temp. range -55°C to 120°C

Construction Elements molded into a single, integral structure. Metal cover protects and shields the internal parts.

Sealing synthetic resin containing non-mercurial fungicide

Product life Since all rheostats/potentiometers are electro-mechanical devices, they are subject to mechanical wear and, therefore, have a finite life.

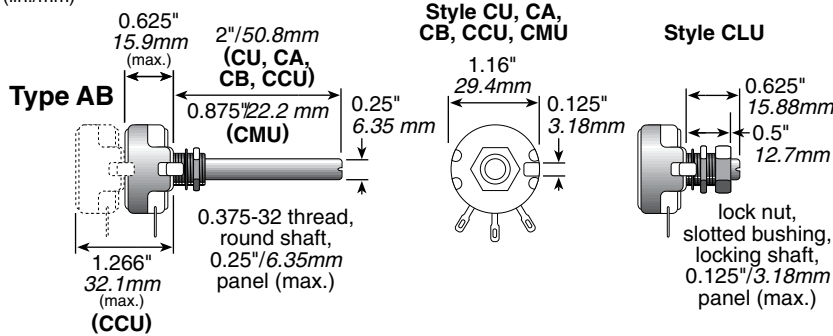
(continued)

Potentiometers

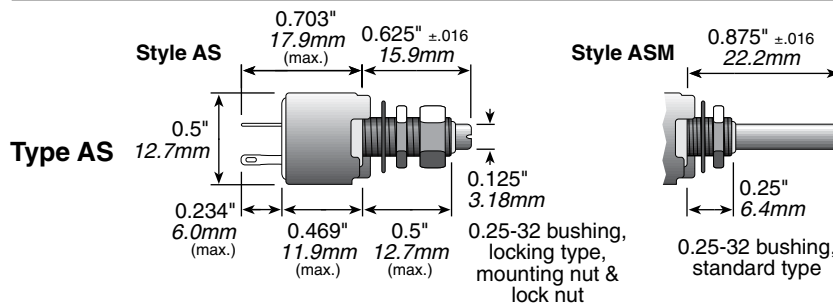
Molded composition

DIMENSIONS

(iin./mm)



Model	Watts	Behind panel	Diameter	Rotation
AS	0.5	0.703/17.9	0.50/12.7	295° ±5°
ASM	0.5	0.703/17.9	0.50/12.7	295° ±5°
CA	2.0	0.625/15.9	1.16/29.4	312° ±3°
CB	2.0	0.625/15.9	1.16/29.4	312° ±3°
CU	2.0	0.625/15.9	1.16/29.4	312° ±3°
CCU	2.0	1.266/32.1	1.16/29.4	312° ±3°
CLU	2.0	0.625/15.9	1.16/29.4	312° ±3°
CMU	2.0	0.625/15.9	1.16/29.4	312° ±3°



ORDERING INFORMATION

Ohmic value	MIL Designation			Part No.										Ohmic value	MIL Designation			Part No.												
	Prefix	Suffix	Part No. Prefix Suffix	CMU	CU	CA	CB	CLU	CCU	RV6LAYSA	RV6NAVSD	AS3609E	AS3610E		AS3611E	AS3612E	AS3613E	AS3614E	AS3615E	ASM6669E	ASM6670E	ASM6671E	ASM6672E	ASM6673E	ASM6674E	ASM6675E	ASM6676E			
50	500A	5001		✓	✓			✓																						
100	101A	1011		✓	✓			✓				AS3601E	AS3601E																	
150	151A	1511		✓	✓			✓																						
250	251A	2511		✓	✓			✓				AS3602E	AS3602E																	
350	351A	3511		✓	✓			✓																						
500	501A	5011		✓	✓			✓				AS3603E	AS3603E																	
750	751A	7511		✓	✓			✓																						
1,000	102A	1021		✓	✓			✓				AS3604E	AS3604E																	
1,500	152A	1521		✓	✓			✓																						
2,500	252A	2521		✓	✓			✓				AS3605E	AS3605E																	
3,500	352A	3521		✓	✓			✓																						
5,000	502A	5021		✓	✓			✓				AS3606E	AS3606E																	
7,500	752A	7521		✓	✓			✓																						
10,000	103A	1031		✓	✓			✓				AS3607E	AS3607E																	
15,000	153A	1531		✓	✓			✓																						
25,000	253A	2531		✓	✓			✓				AS3608E	AS3608E																	
35,000	353A	3531		✓	✓			✓																						

✓ = Standard values; check availability
 * add "-E" for RoHS-compliant lead-free zinc-nickel plated product