

Potentiometers

Molded composition



Ohmite molded composition potentiometers are available in various models for applications in military devices, industrial equipment and in equipment requiring a convenient resistance control device.

FEATURES

- Low noise, smooth operation
- In accordance with “Mil” RV4N, RV4L, RV6L, RV6N, 2RV7N types
- RoHS compliant; non-RoHS version unavailable.



SERIES SPECIFICATIONS

| Model | Watts | Ohmic range | Behind panel (in./mm) | Diameter (in./mm) | Rotation | Voltage (RMS) |
|-------|-------|-------------|-----------------------|-------------------|----------|---------------|
| AS | 0.5 | 50-5M | 0.703/17.9 | 0.50/12.7 | 295° ±5° | 350 |
| ASM | 0.5 | 50-5M | 0.703/17.9 | 0.50/12.7 | 295° ±5° | 350 |
| CA | 2.0 | 50-5M | 0.625/15.9 | 1.16/29.4 | 312° ±3° | 500 |
| CB | 2.0 | 50-5M | 0.625/15.9 | 1.16/29.4 | 312° ±3° | 500 |
| CU | 2.0 | 50-5M | 0.625/15.9 | 1.16/29.4 | 312° ±3° | 500 |
| CCU | 2.0 | 50-5M | 1.266/32.1 | 1.16/29.4 | 312° ±3° | 500 |
| CLU | 2.0 | 50-5M | 0.625/15.9 | 1.16/29.4 | 312° ±3° | 500 |
| CMU | 2.0 | 50-5M | 0.625/15.9 | 1.16/29.4 | 312° ±3° | 500 |

CHARACTERISTICS

Derating linear from 100% at +70°C to 0% at +120°C

Operating temp. range -55°C to 120°C

Construction Elements molded into a single, integral structure. Metal cover protects and shields the internal parts.

Sealing synthetic resin containing non-mercurial fungicide

Product life Since all rheostats/potentiometers are electro-mechanical devices, they are subject to mechanical wear and, therefore, have a finite life.

(continued)

Potentiometers

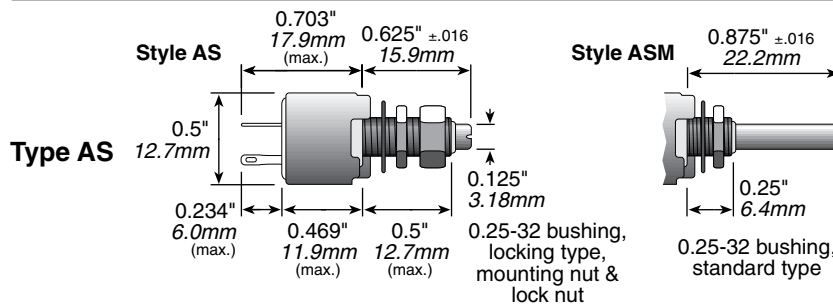
Molded composition

DIMENSIONS

(iin./mm)



| Model | Watts | Behind panel | Diameter | Rotation |
|-------|-------|--------------|-----------|----------|
| AS | 0.5 | 0.703/17.9 | 0.50/12.7 | 295° ±5° |
| ASM | 0.5 | 0.703/17.9 | 0.50/12.7 | 295° ±5° |
| CA | 2.0 | 0.625/15.9 | 1.16/29.4 | 312° ±3° |
| CB | 2.0 | 0.625/15.9 | 1.16/29.4 | 312° ±3° |
| CU | 2.0 | 0.625/15.9 | 1.16/29.4 | 312° ±3° |
| CCU | 2.0 | 1.266/32.1 | 1.16/29.4 | 312° ±3° |
| CLU | 2.0 | 0.625/15.9 | 1.16/29.4 | 312° ±3° |
| CMU | 2.0 | 0.625/15.9 | 1.16/29.4 | 312° ±3° |



ORDERING INFORMATION

| Ohmic value | MIL Designation | | | Part No. | | | | | | | | | | | | |
|-------------|-----------------|--------|------------------------|----------|----|----|----|-----|-----|----------|----------|----------|----------|----------|---------|----------|
| | Prefix | Suffix | Part No. Prefix Suffix | CMU | CU | CA | CB | CLU | CCU | RV6LAYSA | RV6NAVSD | RV6LAYSA | RV6NAVSD | RV6NAVSD | | |
| 50 | —500A | —5001 | ✓ | ✓ | ✓ | ✓ | ✓ | ✓ | ✓ | ✓ | ✓ | ✓ | ✓ | ✓ | AS3601E | ASM6661E |
| 100 | —101A | —1011 | ✓ | ✓ | ✓ | ✓ | ✓ | ✓ | ✓ | ✓ | ✓ | ✓ | ✓ | ✓ | AS3602E | ASM6662E |
| 150 | —151A | —1511 | ✓ | ✓ | ✓ | ✓ | ✓ | ✓ | ✓ | ✓ | ✓ | ✓ | ✓ | ✓ | AS3603E | ASM6663E |
| 250 | —251A | —2511 | ✓ | ✓ | ✓ | ✓ | ✓ | ✓ | ✓ | ✓ | ✓ | ✓ | ✓ | ✓ | AS3604E | ASM6664E |
| 350 | —351A | —3511 | ✓ | ✓ | ✓ | ✓ | ✓ | ✓ | ✓ | ✓ | ✓ | ✓ | ✓ | ✓ | AS3605E | ASM6665E |
| 500 | —501A | —5011 | ✓ | ✓ | ✓ | ✓ | ✓ | ✓ | ✓ | ✓ | ✓ | ✓ | ✓ | ✓ | AS3606E | ASM6666E |
| 750 | —751A | —7511 | ✓ | ✓ | ✓ | ✓ | ✓ | ✓ | ✓ | ✓ | ✓ | ✓ | ✓ | ✓ | AS3607E | ASM6667E |
| 1,000 | —102A | —1021 | ✓ | ✓ | ✓ | ✓ | ✓ | ✓ | ✓ | ✓ | ✓ | ✓ | ✓ | ✓ | AS3608E | ASM6668E |
| 1,500 | —152A | —1521 | ✓ | ✓ | ✓ | ✓ | ✓ | ✓ | ✓ | ✓ | ✓ | ✓ | ✓ | ✓ | AS3609E | ASM6669E |
| 2,500 | —252A | —2521 | ✓ | ✓ | ✓ | ✓ | ✓ | ✓ | ✓ | ✓ | ✓ | ✓ | ✓ | ✓ | AS3610E | ASM6670E |
| 3,500 | —352A | —3521 | ✓ | ✓ | ✓ | ✓ | ✓ | ✓ | ✓ | ✓ | ✓ | ✓ | ✓ | ✓ | AS3611E | ASM6671E |
| 5,000 | —502A | —5021 | ✓ | ✓ | ✓ | ✓ | ✓ | ✓ | ✓ | ✓ | ✓ | ✓ | ✓ | ✓ | AS3612E | ASM6672E |
| 7,500 | —752A | —7521 | ✓ | ✓ | ✓ | ✓ | ✓ | ✓ | ✓ | ✓ | ✓ | ✓ | ✓ | ✓ | AS3613E | ASM6673E |
| 10,000 | —103A | —1031 | ✓ | ✓ | ✓ | ✓ | ✓ | ✓ | ✓ | ✓ | ✓ | ✓ | ✓ | ✓ | AS3614E | ASM6674E |
| 15,000 | —153A | —1531 | ✓ | ✓ | ✓ | ✓ | ✓ | ✓ | ✓ | ✓ | ✓ | ✓ | ✓ | ✓ | AS3615E | ASM6675E |
| 25,000 | —253A | —2531 | ✓ | ✓ | ✓ | ✓ | ✓ | ✓ | ✓ | ✓ | ✓ | ✓ | ✓ | ✓ | AS3616E | ASM6676E |
| 35,000 | —353A | —3531 | ✓ | ✓ | ✓ | ✓ | ✓ | ✓ | ✓ | ✓ | ✓ | ✓ | ✓ | ✓ | AS3617E | ASM6677E |

✓ = Standard values; check availability
 * add "-E" for RoHS-compliant lead-free zinc-nickel plated product