

Potentiometers

Molded composition



Ohmite molded composition potentiometers are available in various models for applications in military devices, industrial equipment and in equipment requiring a convenient resistance control device.

FEATURES

- Low noise, smooth operation
- In accordance with “Mil” RV4N, RV4L, RV6L, RV6N, 2RV7N types
- RoHS compliant; non-RoHS version unavailable.



SERIES SPECIFICATIONS

Model	Watts	Ohmic range	Behind panel (in./mm)	Diameter (in./mm)	Rotation	Voltage (RMS)
AS	0.5	50-5M	0.703/17.9	0.50/12.7	295° ±5°	350
ASM	0.5	50-5M	0.703/17.9	0.50/12.7	295° ±5°	350
CA	2.0	50-5M	0.625/15.9	1.16/29.4	312° ±3°	500
CB	2.0	50-5M	0.625/15.9	1.16/29.4	312° ±3°	500
CU	2.0	50-5M	0.625/15.9	1.16/29.4	312° ±3°	500
CCU	2.0	50-5M	1.266/32.1	1.16/29.4	312° ±3°	500
CLU	2.0	50-5M	0.625/15.9	1.16/29.4	312° ±3°	500
CMU	2.0	50-5M	0.625/15.9	1.16/29.4	312° ±3°	500

CHARACTERISTICS

Derating linear from 100% at +70°C to 0% at +120°C

Operating temp. range -55°C to 120°C

Construction Elements molded into a single, integral structure. Metal cover protects and shields the internal parts.

Sealing synthetic resin containing non-mercurial fungicide

Product life Since all rheostats/potentiometers are electro-mechanical devices, they are subject to mechanical wear and, therefore, have a finite life.

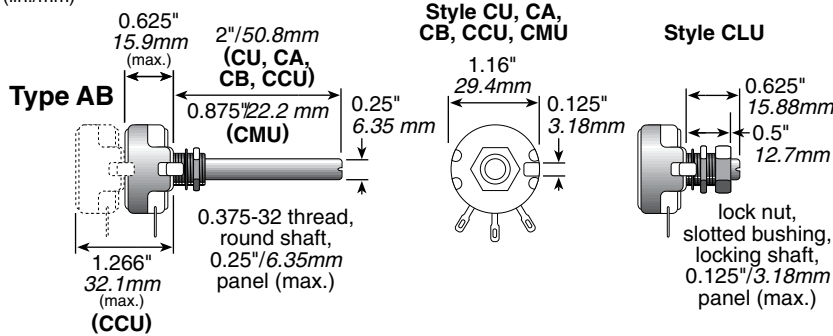
(continued)

Potentiometers

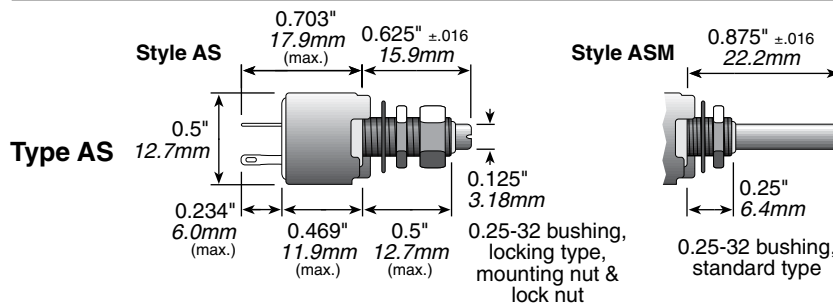
Molded composition

DIMENSIONS

(iin./mm)



Model	Watts	Behind panel	Diameter	Rotation
AS	0.5	0.703/17.9	0.50/12.7	295° ±5°
ASM	0.5	0.703/17.9	0.50/12.7	295° ±5°
CA	2.0	0.625/15.9	1.16/29.4	312° ±3°
CB	2.0	0.625/15.9	1.16/29.4	312° ±3°
CU	2.0	0.625/15.9	1.16/29.4	312° ±3°
CCU	2.0	1.266/32.1	1.16/29.4	312° ±3°
CLU	2.0	0.625/15.9	1.16/29.4	312° ±3°
CMU	2.0	0.625/15.9	1.16/29.4	312° ±3°



ORDERING INFORMATION

Ohmic value	MIL Designation			Part No.												
	Prefix	Suffix	Part No. Prefix Suffix	CMU	CU	CA	CB	CLU	CCU	RV6LAYSA	RV6NAVSD	RV6LAYSA	RV6NAVSD	RV6NAVSD		
50	—500A	—5001	✓	✓	✓	✓	✓	✓	✓	✓	✓	✓	✓	✓	AS3601E	ASM6661E
100	—101A	—1011	✓	✓	✓	✓	✓	✓	✓	✓	✓	✓	✓	✓	AS3602E	ASM6662E
150	—151A	—1511	✓	✓	✓	✓	✓	✓	✓	✓	✓	✓	✓	✓	AS3603E	ASM6663E
250	—251A	—2511	✓	✓	✓	✓	✓	✓	✓	✓	✓	✓	✓	✓	AS3604E	ASM6664E
350	—351A	—3511	✓	✓	✓	✓	✓	✓	✓	✓	✓	✓	✓	✓	AS3605E	ASM6665E
500	—501A	—5011	✓	✓	✓	✓	✓	✓	✓	✓	✓	✓	✓	✓	AS3606E	ASM6666E
750	—751A	—7511	✓	✓	✓	✓	✓	✓	✓	✓	✓	✓	✓	✓	AS3607E	ASM6667E
1,000	—102A	—1021	✓	✓	✓	✓	✓	✓	✓	✓	✓	✓	✓	✓	AS3608E	ASM6668E
1,500	—152A	—1521	✓	✓	✓	✓	✓	✓	✓	✓	✓	✓	✓	✓	AS3609E	ASM6669E
2,500	—252A	—2521	✓	✓	✓	✓	✓	✓	✓	✓	✓	✓	✓	✓	AS3610E	ASM6670E
3,500	—352A	—3521	✓	✓	✓	✓	✓	✓	✓	✓	✓	✓	✓	✓	AS3611E	ASM6671E
5,000	—502A	—5021	✓	✓	✓	✓	✓	✓	✓	✓	✓	✓	✓	✓	AS3612E	ASM6672E
7,500	—752A	—7521	✓	✓	✓	✓	✓	✓	✓	✓	✓	✓	✓	✓	AS3613E	ASM6673E
10,000	—103A	—1031	✓	✓	✓	✓	✓	✓	✓	✓	✓	✓	✓	✓	AS3614E	ASM6674E
15,000	—153A	—1531	✓	✓	✓	✓	✓	✓	✓	✓	✓	✓	✓	✓	AS3615E	ASM6675E
25,000	—253A	—2531	✓	✓	✓	✓	✓	✓	✓	✓	✓	✓	✓	✓	AS3616E	ASM6676E
35,000	—353A	—3531	✓	✓	✓	✓	✓	✓	✓	✓	✓	✓	✓	✓	AS3617E	ASM6677E

✓ = Standard values; check availability
 * add "-E" for RoHS-compliant lead-free zinc-nickel plated product