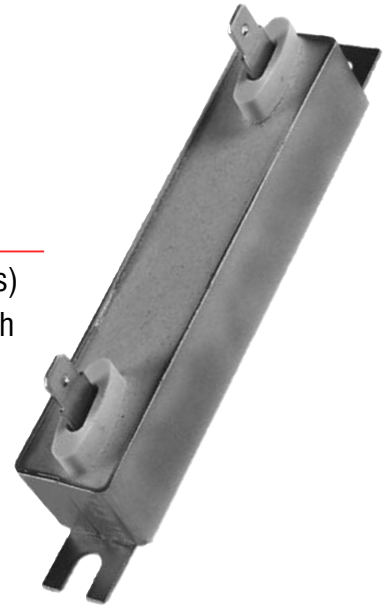


Metalohm Series

Cold Rolled Steel Encased Wirewound Heatsinkable Radial Terminal



FEATURES

- Flameproof and inorganic
- Higher power rating due to heat sink capacity
- All welded construction
- Nonhygroscopic
- High surge construction

OPTIONS

- Noninductive versions (Aryton-Perry windings)
- Terminal sleeves to increase dielectric strength and maximize creepage distance
- Variety of terminal choices
- Potted or soldered wire terminals including quick connect, ring, spade terminals
- Tapped models

SERIES SPECIFICATIONS

Style	Watts w/o heat sink	Watts w/ heat sink*	Ohmic range**
20/45M	20	45	0.05-6K
40/70M	40	70	1.0-25K
HV40-70M	40	70	1.0-25K
50/100M	50	100	1.5-47.5K
60/115M	60	115	2.5-81K
85/150M	85	150	4.5-100K

*Based on a 12"x12"x0.125" aluminum heat sink, using a thermal compound, in a 25°C ambient

**Standard winding ranges only listed, other values available; contact Ohmite.

CHARACTERISTICS

Wattage	Based on a 275°C "U" characteristic derating curve
Temperature coefficient	<ul style="list-style-type: none"> ≥18 ohm: 0 ±90ppm/°C 8 < 18 ohm: 0 ±50ppm/°C <8 ohm: 0 ±180ppm/°C (TC for some watt/ohm combinations may be lower)
Dielectric strength	Terminal to case, depends on terminal style (1500V min.)
Creepage	<ul style="list-style-type: none"> term. style 277: 1.2" term. style 278: 0.4" term. style 276: 0.7" term. styles 211/252/279: 0.15"
Termination Wires	<ul style="list-style-type: none"> • Stranded, available in any insulation rated 125°C or higher (may require term. style 297). • 12" standard length for term. 297 & 298 (custom lengths available) • Can be potted or pre-soldered to terminal styles 211 or 252 • Quick connect (fully or partially insulated), ring or spade terminations available
Dielectric Sleeves	<ul style="list-style-type: none"> • Steatite construction • Style 276 meets UL/NEMA 2500V RMS for one minute requirement • Available as terminal styles 276, 277, 278, 297

Dielectric Strength/Terminal Availability

Terminal Type	211	252, 279	276	278	277	297	298
Style	Dielectric Strength						
20/45M	1500	N/A	N/A	N/A	N/A	2500V	2500V
40/70M	1500	1500	2500	2500	N/A	2500V	2500V
HV40/70M	N/A	N/A	N/A	N/A	4250	N/A	N/A
50/100M	1500	1500	2500	2500	N/A	2500V	2500V
60/115M	1500	1500	2500	2500	N/A	2500V	2500V
85/150M	1500	1500	2500	2500	N/A	2500V	2500V

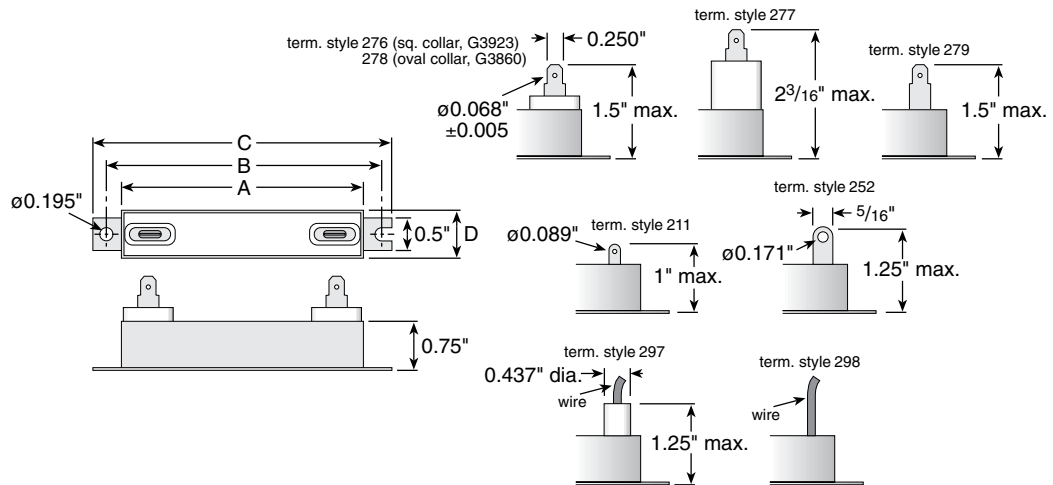
(continued)

Metalohm Series

Cold Rolled Steel Encased Wirewound Heatsinkable Radial Terminal

DIMENSIONS

(in.)



Style	A	B	C	D
20/45M	1	$1\frac{7}{16}$	$1\frac{7}{8}$	$\frac{3}{4}$
40/70M	$2\frac{9}{16}$	3	$3\frac{7}{16}$	$\frac{3}{4}$
HV40-70M	$2\frac{9}{16}$	3	$3\frac{7}{16}$	$\frac{7}{8}$
50/100M	$3\frac{11}{16}$	$4\frac{1}{8}$	$4\frac{9}{16}$	$\frac{3}{4}$
60/115M	$5\frac{9}{16}$	6	$6\frac{7}{16}$	$\frac{3}{4}$
85/150M	$7\frac{1}{2}$	8	$8\frac{1}{2}$	$\frac{3}{4}$

ORDERING INFORMATION

Not all terminal types available for all Metalohm sizes

