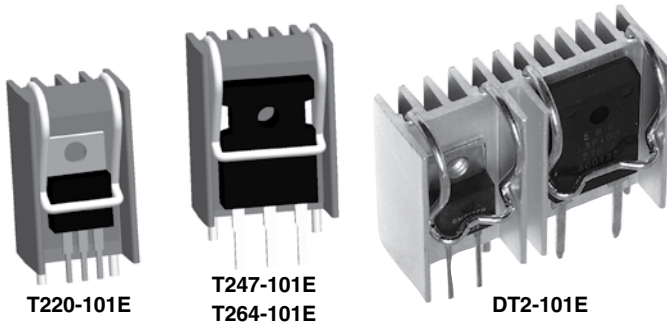


W Series Heatsinks

For TO-220, TO-247, and TO-264 devices



The unique design (patent pending) of the W Series heat sinks combines a tin plated, solderable, integral spring clip with an extruded aluminum heat sink body for an all-in-one solution to through-hole mounting of TO-220, TO-247, and TO-264 packages. These self-aligning heat sinks feature solderable feet and an integrated clip with 13.2 (lbf) of force on the center of the device to enhance thermal performance.

FEATURES

- Reduced Assembly Cost: spring clip and auto-align feature makes fasteners and fixtures obsolete, along with stray metal filings from tapped holes
- Maximum Repeatability: clamping force of the spring clip is not degraded by repeated loading and unloading
- Maximum Heat Transfer per Unit Space: maximum surface area per unit volume and consistent mounting force reduces thermal resistance
- Maximum Resistance to Shock and Vibration: light weight, resilient spring clip locks the component in place and is highly resistant to shock and vibration
- Maximum Reliability: helps prevent short circuits by eliminating metal particles from thread tapping
- RoHS Compliant

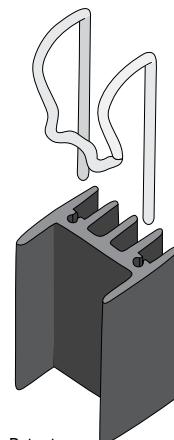
SERIES SPECIFICATIONS

| Heatsink Part Number | For Package Type | Ohmite Resistor Series | Surface Area (in ²) | Weight | Thermal Resistance* |
|------------------------------|------------------|-----------------------------|---------------------------------|-------------|----------------------------|
| WA-T220-101E WV-T220-101E | TO-220 | TBH25, TCH35 | 6.5 | 0.35 oz/10g | Rs-a=12°C/W Rs-a=13°C/W |
| WA-T247-101E WV-T247-101E | TO-247 | TEH70, TEH100 | 8.4 | 0.42 oz/12g | Rs-a=11°C/W Rs-a=12°C/W |
| WA-T264-101E WV-T264-101E | TO-264 | TFH85 | 8.4 | 0.42 oz/12g | Rs-a=11°C/W Rs-a=12°C/W |
| WA-DT2-101E WV-DT2-101E | TO-220 & TO-247 | TBH25, TCH35, TEH70, TEH100 | 15.1 | 0.79 oz/22g | Rs-a=7°C/W Rs-a=8°C/W |

*Natural convection at 10W heat dissipation

CHARACTERISTICS

| | |
|---------------------------------------|--|
| Heat Sink | Aluminum alloy 6063-T5 or equivalent. |
| Spring Clip | Music wire, per ASTM A228 |
| Pin | Solderable 100% tin over copper strike |
| Interface thermal resistance | for improvement, use thermal joint compound or 0.005 Grafoil (TGon 800 by Laird) |
| Interface electrical isolation | Sil-Pad 900S by Bergquist or equivalent |
| Mounting | Vertical thru-hole mount |
| Clip Force | 13.2 lbf. |



Patent Pending

(continued)

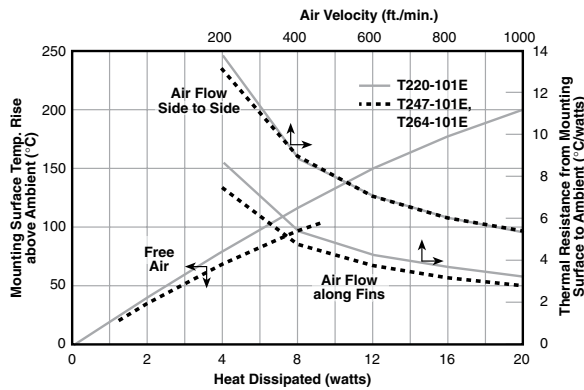
W Series Heatsinks

For TO-220, TO-247, and TO-264 devices

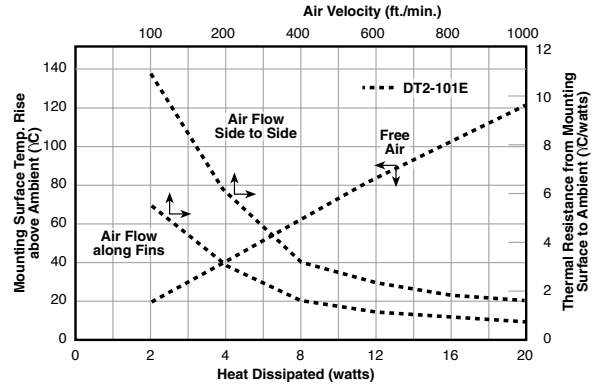
CHARACTERISTICS

Heat Dissipation

T220-101E, T247-101E and T264-101E

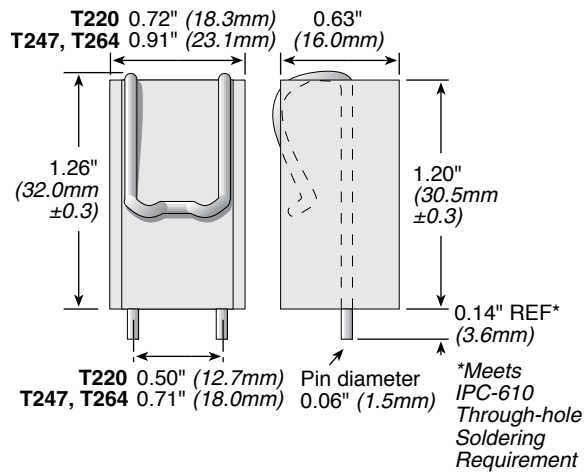


DT2-101E

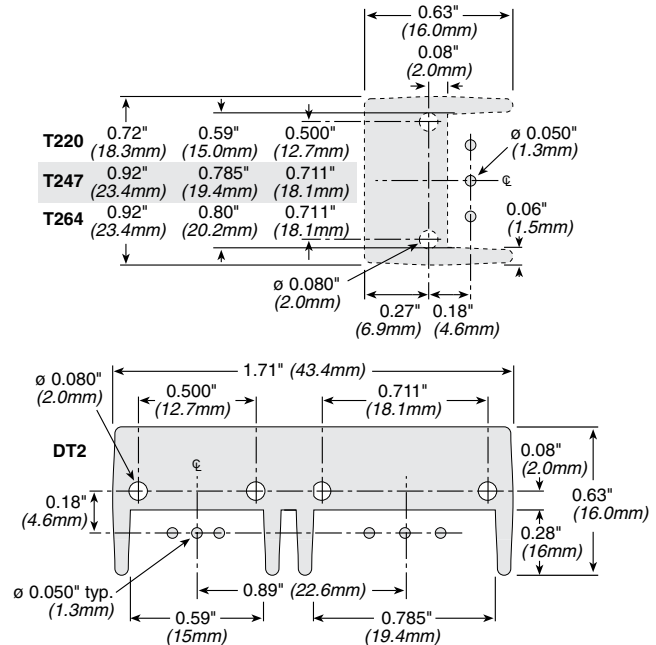


DIMENSIONS

(in./mm ±0.3mm)



Land pattern



ORDERING INFORMATION

W A - T 2 2 0 - 1 0 1 E

| | | | | |
|--------|--|-------------|------------------|----------------|
| Series | Coating | Device size | Package modifier | RoHS Compliant |
| | A- Black Anodized V- degreased N- Alodine 1500 Clear | | | |

Standard part numbers

WA-T220-101E
WV-T220-101E
WA-T247-101E
WV-T247-101E
WA-T264-101E
WV-T264-101E
WA-DT2-101E
WV-DT2-101E