

Ohmite molded composition potentiometers are available in various models for applications in military devices, industrial equipment and in equipment requiring a convenient resistance control device.



Potentiometers

Molded composition

FEATURES

- Low noise, smooth operation
- In accordance with "Mil" RV4N, RV4L, RV6L, RV6N, 2RV7N types
- RoHS compliant; non-RoHS version unavailable.

SPECIFICATIONS

Electrical

Derating: linear from 100% at +70°C to 0% at +120°C

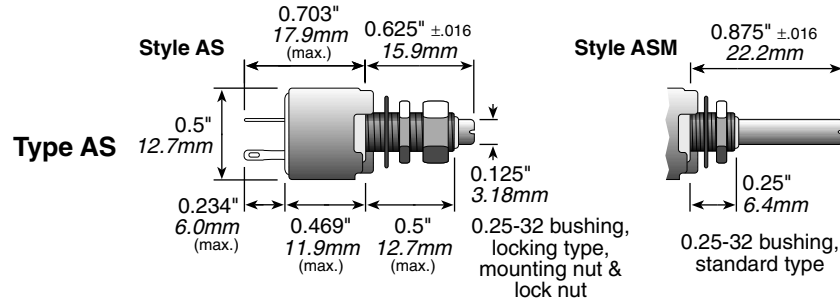
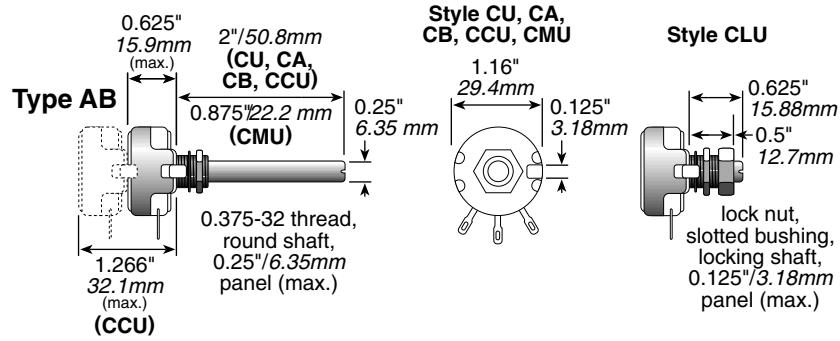
Operating temp. range: -55°C to 120°C

Material

Construction: Elements molded into a single, integral structure. Metal cover protects and shields the internal parts.

Sealing: synthetic resin containing non-mercurial fungicide

Since all rheostats/potentiometers are electro-mechanical devices, they are subject to mechanical wear and, therefore, have a finite life.



Model	Watts	Ohmic range	Behind panel (In./mm)	Diameter (In./mm)	Rotation	Voltage (RMS)
AS	0.5	50-5M	0.703/17.9	0.50/12.7	295° ±5°	350
ASM	0.5	50-5M	0.703/17.9	0.50/12.7	295° ±5°	350
CA	2.0	50-5M	0.625/15.9	1.16/29.4	312° ±3°	500
CB	2.0	50-5M	0.625/15.9	1.16/29.4	312° ±3°	500
CU	2.0	50-5M	0.625/15.9	1.16/29.4	312° ±3°	500
CCU	2.0	50-5M	1.266/32.1	1.16/29.4	312° ±3°	500
CLU	2.0	50-5M	0.625/15.9	1.16/29.4	312° ±3°	500
CMU	2.0	50-5M	0.625/15.9	1.16/29.4	312° ±3°	500

STANDARD PART NUMBERS FOR POTENTIOMETERS

Ohmic value	MIL Designation		Part No.								MIL Designation		Part No.									
	Prefix	Suffix	CMU	CJ	CA	CB	CLU	CCU	RV6LAYSA	RV6MAYSD	Prefix	Suffix	CMU	CJ	CA	CB	CLU	CCU	RV6LAYSA	RV6MAYSD		
50	500A	5001	✓	✓								50,000	503A	5031	✓	✓	✓	✓	✓	✓	AS3609E	ASM6669E
100	101A	1011	✓	✓								75,000	753A	7531	✓	✓	✓	✓	✓	✓	AS3610E	ASM6670E
150	151A	1511	✓	✓								100,000	104A	1041	✓	✓	✓	✓	✓	✓	AS3610E	ASM6670E
250	251A	2511	✓	✓								150,000	154A	1541	✓	✓	✓	✓	✓	✓	AS3611E	ASM6671E
350	351A	3511	✓	✓								250,000	254A	2541	✓	✓	✓	✓	✓	✓	AS3611E	ASM6671E
500	501A	5011	✓	✓								350,000	354A	3541	✓	✓	✓	✓	✓	✓	AS3612E	ASM6672E
750	751A	7511	✓	✓								500,000	504A	5041	✓	✓	✓	✓	✓	✓	AS3612E	ASM6672E
1,000	102A	1021	✓	✓								750,000	754B	7542	✓	✓	✓	✓	✓	✓	AS3613E	ASM6673E
1,500	152A	1521	✓	✓								1,000,000	105B	1052	✓	✓	✓	✓	✓	✓	AS3613E	ASM6673E
2,500	252A	2521	✓	✓								1,500,000	155B	1552	✓	✓	✓	✓	✓	✓	AS3613E	ASM6673E
3,500	352A	3521	✓	✓								2,000,000	205B	2052	✓	✓	✓	✓	✓	✓	AS3684E	ASM6674E
5,000	502A	5021	✓	✓								2,500,000	255B	2552	✓	✓	✓	✓	✓	✓	AS3614E	ASM6675E
7,500	752A	7521	✓	✓								3,500,000	355B	3552	✓	✓	✓	✓	✓	✓	AS3614E	ASM6675E
10,000	103A	1031	✓	✓	✓	✓						5,000,000	505B	5052	✓	✓	✓	✓	✓	✓	AS3615E	ASM6676E
15,000	153A	1531	✓	✓																	AS3615E	ASM6676E
25,000	253A	2531	✓	✓	✓	✓															AS3608E	ASM6668E
35,000	353A	3531	✓	✓																	AS3608E	ASM6668E

✓ = Standard values; check availability
* add "-E" for RoHS-compliant lead-free zinc-nickel plated product

Check product availability at www.ohmite.com