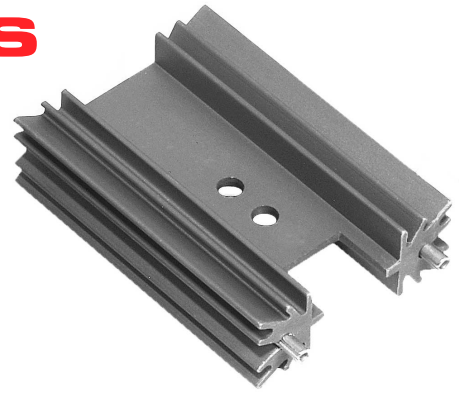


E Series Heatsinks

For TO-220 devices



FEATURES

- Vertical through-hole PCB mounting
- 0.142 in. diameter mounting holes (3)

SERIES SPECIFICATIONS

Heatsink Part Number	For Package Type	Ohmite Resistor Series	Surface Area (in ²)	Weight	Thermal Resistance* (°C/W)
EV-T220-38E EA-T220-38E	TO-220	TBH25, TCH35	11.5	0.63 oz/18g	11.4 9.5
EV-T220-51E EA-T220-51E	TO-220	TBH25, TCH35	15.2	0.85 oz/24g	9.0 7.5
EV-T220-64E EA-T220-64E	TO-220	TBH25, TCH35	18.8	1.06 oz/30g	7.4 6.2

*Natural convection at 10W dissipation

CHARACTERISTICS

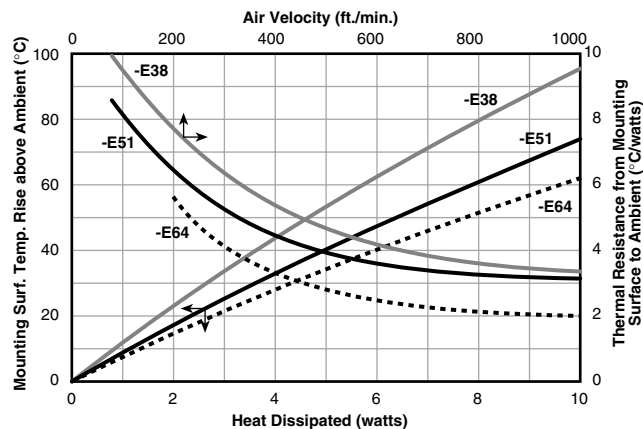
Heat sink Aluminum 6063-T5 or equivalent with either black anodized or degreased finish

Solder feet Tin plated brass

Interface thermal resistance for improvement, use thermal joint compound or 0.005 Grafoil (TGon 800 by Laird)

Interface electrical isolation Sil-Pad 900S by Bergquist or equivalent

Heat Dissipation



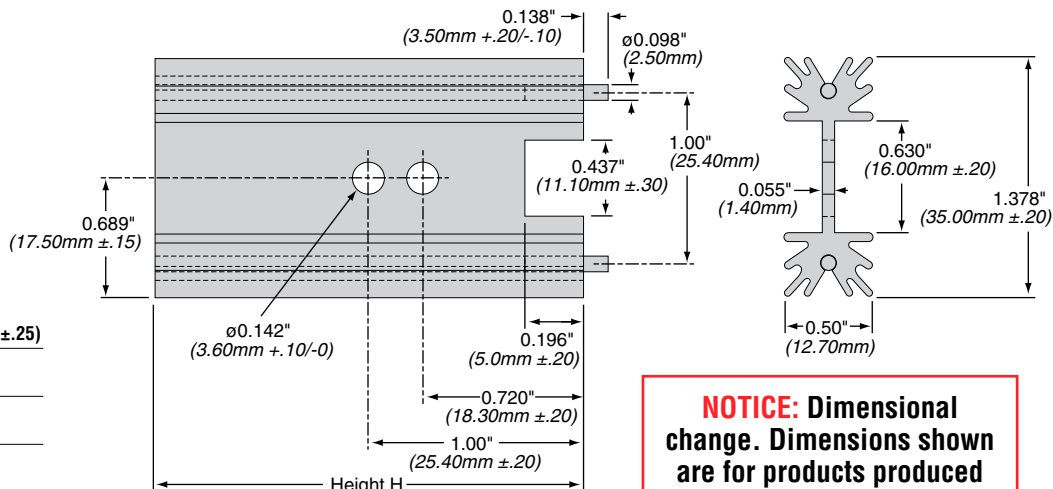
(continued)

E Series Heatsinks

For TO-220 devices

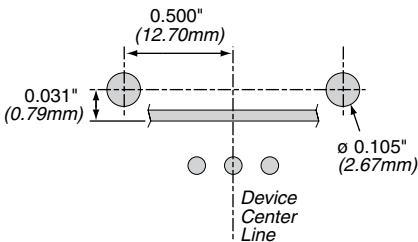
DIMENSIONS

(in./mm)



Part Number	Height (in. ±.010 / mm ±.25)
EV-T220-38E EA-T220-38E	1.5 / 38.10
EV-T220-51E EA-T220-51E	2.0 / 50.80
EV-T220-64E EA-T220-64E	2.5 / 63.50

Land Pattern



ORDERING INFORMATION

Series | Package type to be heatsinked | RoHS Compliant
E V - T 2 2 0 - 5 1 E
 Finish | Height (mm)
 A = black anodized
 V = degreased

Standard part numbers

Part Number	Description	Packaging
EV-T220-38E	Heat sink for TO-220, no finish (degreased)	Bulk
EA-T220-38E	Heat sink for TO-220, black anodized	Bulk
EV-T220-51E	Heat sink for TO-220, no finish (degreased)	Bulk
EA-T220-51E	Heat sink for TO-220, black anodized	Bulk
EV-T220-64E	Heat sink for TO-220, no finish (degreased)	Bulk
EA-T220-64E	Heat sink for TO-220, black anodized	Bulk