

# Potentiometers

## Molded composition



Ohmite molded composition potentiometers are available in various models for applications in military devices, industrial equipment and in equipment requiring a convenient resistance control device.

### FEATURES

- Low noise, smooth operation
- In accordance with “Mil” RV4N, RV4L, RV6L, RV6N, 2RV7N types
- RoHS compliant; non-RoHS version unavailable.



### SERIES SPECIFICATIONS

| Model | Watts | Ohmic range | Behind panel (in./mm) | Diameter (in./mm) | Rotation | Voltage (RMS) |
|-------|-------|-------------|-----------------------|-------------------|----------|---------------|
| AS    | 0.5   | 50-5M       | 0.703/17.9            | 0.50/12.7         | 295° ±5° | 350           |
| ASM   | 0.5   | 50-5M       | 0.703/17.9            | 0.50/12.7         | 295° ±5° | 350           |
| CA    | 2.0   | 50-5M       | 0.625/15.9            | 1.16/29.4         | 312° ±3° | 500           |
| CB    | 2.0   | 50-5M       | 0.625/15.9            | 1.16/29.4         | 312° ±3° | 500           |
| CU    | 2.0   | 50-5M       | 0.625/15.9            | 1.16/29.4         | 312° ±3° | 500           |
| CCU   | 2.0   | 50-5M       | 1.266/32.1            | 1.16/29.4         | 312° ±3° | 500           |
| CLU   | 2.0   | 50-5M       | 0.625/15.9            | 1.16/29.4         | 312° ±3° | 500           |
| CMU   | 2.0   | 50-5M       | 0.625/15.9            | 1.16/29.4         | 312° ±3° | 500           |

### CHARACTERISTICS

**Derating** linear from 100% at +70°C to 0% at +120°C

**Operating temp. range** -55°C to 120°C

**Construction** Elements molded into a single, integral structure. Metal cover protects and shields the internal parts.

**Sealing** synthetic resin containing non-mercurial fungicide

**Product life** Since all rheostats/potentiometers are electro-mechanical devices, they are subject to mechanical wear and, therefore, have a finite life.

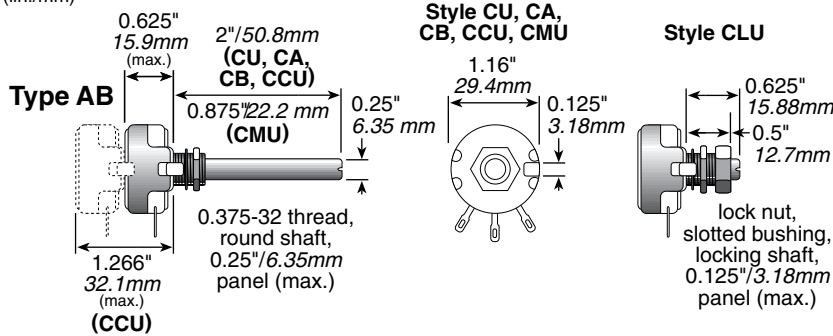
(continued)

# Potentiometers

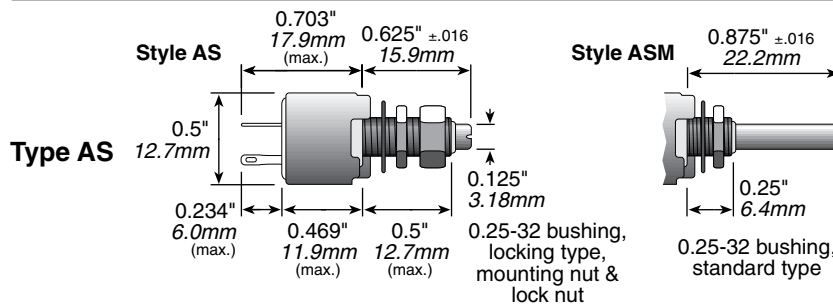
## Molded composition

### DIMENSIONS

(iin./mm)



| Model | Watts | Behind panel | Diameter  | Rotation |
|-------|-------|--------------|-----------|----------|
| AS    | 0.5   | 0.703/17.9   | 0.50/12.7 | 295° ±5° |
| ASM   | 0.5   | 0.703/17.9   | 0.50/12.7 | 295° ±5° |
| CA    | 2.0   | 0.625/15.9   | 1.16/29.4 | 312° ±3° |
| CB    | 2.0   | 0.625/15.9   | 1.16/29.4 | 312° ±3° |
| CU    | 2.0   | 0.625/15.9   | 1.16/29.4 | 312° ±3° |
| CCU   | 2.0   | 1.266/32.1   | 1.16/29.4 | 312° ±3° |
| CLU   | 2.0   | 0.625/15.9   | 1.16/29.4 | 312° ±3° |
| CMU   | 2.0   | 0.625/15.9   | 1.16/29.4 | 312° ±3° |



### ORDERING INFORMATION

| Ohmic value | MIL Designation |        |                        | Part No. |    |    |    |     |     |           |            |          |          |          |  |
|-------------|-----------------|--------|------------------------|----------|----|----|----|-----|-----|-----------|------------|----------|----------|----------|--|
|             | Prefix          | Suffix | Part No. Prefix Suffix | CMU      | CU | CA | CB | CLU | CCU | RV6LAYSA  | RV6NAVSD   | RV6LAYSA | RV6NAVSD | RV6NAVSD |  |
| 50          | 500A            | 5001   |                        | ✓        | ✓  |    |    | ✓   |     |           |            |          |          |          |  |
| 100         | 101A            | 1011   |                        | ✓        | ✓  |    |    | ✓   |     | ✓ AS3601E | ✓ ASM6661E |          |          |          |  |
| 150         | 151A            | 1511   |                        | ✓        | ✓  |    |    | ✓   |     |           |            |          |          |          |  |
| 250         | 251A            | 2511   |                        | ✓        | ✓  |    |    | ✓   |     | ✓ AS3602E | ✓ ASM6662E |          |          |          |  |
| 350         | 351A            | 3511   |                        | ✓        | ✓  |    |    | ✓   |     |           |            |          |          |          |  |
| 500         | 501A            | 5011   |                        | ✓        | ✓  |    |    | ✓   |     | ✓ AS3603E | ✓ ASM6663E |          |          |          |  |
| 750         | 751A            | 7511   |                        | ✓        | ✓  |    |    | ✓   |     |           |            |          |          |          |  |
| 1,000       | 102A            | 1021   |                        | ✓        | ✓  |    |    | ✓   |     | ✓ AS3604E | ✓ ASM6664E |          |          |          |  |
| 1,500       | 152A            | 1521   |                        | ✓        | ✓  |    |    | ✓   |     |           |            |          |          |          |  |
| 2,500       | 252A            | 2521   |                        | ✓        | ✓  |    |    | ✓   |     | ✓ AS3605E | ✓ ASM6665E |          |          |          |  |
| 3,500       | 352A            | 3521   |                        | ✓        | ✓  |    |    | ✓   |     |           |            |          |          |          |  |
| 5,000       | 502A            | 5021   |                        | ✓        | ✓  |    |    | ✓   |     | ✓ AS3606E | ✓ ASM6666E |          |          |          |  |
| 7,500       | 752A            | 7521   |                        | ✓        | ✓  |    |    | ✓   |     |           |            |          |          |          |  |
| 10,000      | 103A            | 1031   |                        | ✓        | ✓  |    |    | ✓   |     | ✓ AS3607E | ✓ ASM6667E |          |          |          |  |
| 15,000      | 153A            | 1531   |                        | ✓        | ✓  |    |    | ✓   |     |           |            |          |          |          |  |
| 25,000      | 253A            | 2531   |                        | ✓        | ✓  |    |    | ✓   |     | ✓ AS3608E | ✓ ASM6668E |          |          |          |  |
| 35,000      | 353A            | 3531   |                        | ✓        | ✓  |    |    | ✓   |     |           |            |          |          |          |  |

✓ = Standard values; check availability  
 \* add "-E" for RoHS-compliant lead-free zinc-nickel plated product