

# Potentiometers

## Molded composition



Ohmite molded composition potentiometers are available in various models for applications in military devices, industrial equipment and in equipment requiring a convenient resistance control device.

### FEATURES

- Low noise, smooth operation
- In accordance with “Mil” RV4N, RV4L, RV6L, RV6N, 2RV7N types
- RoHS compliant; non-RoHS version unavailable.



### SERIES SPECIFICATIONS

| Model | Watts | Ohmic range | Behind panel (in./mm) | Diameter (in./mm) | Rotation | Voltage (RMS) |
|-------|-------|-------------|-----------------------|-------------------|----------|---------------|
| AS    | 0.5   | 50-5M       | 0.703/17.9            | 0.50/12.7         | 295° ±5° | 350           |
| ASM   | 0.5   | 50-5M       | 0.703/17.9            | 0.50/12.7         | 295° ±5° | 350           |
| CA    | 2.0   | 50-5M       | 0.625/15.9            | 1.16/29.4         | 312° ±3° | 500           |
| CB    | 2.0   | 50-5M       | 0.625/15.9            | 1.16/29.4         | 312° ±3° | 500           |
| CU    | 2.0   | 50-5M       | 0.625/15.9            | 1.16/29.4         | 312° ±3° | 500           |
| CCU   | 2.0   | 50-5M       | 1.266/32.1            | 1.16/29.4         | 312° ±3° | 500           |
| CLU   | 2.0   | 50-5M       | 0.625/15.9            | 1.16/29.4         | 312° ±3° | 500           |
| CMU   | 2.0   | 50-5M       | 0.625/15.9            | 1.16/29.4         | 312° ±3° | 500           |

### CHARACTERISTICS

**Derating** linear from 100% at +70°C to 0% at +120°C

**Operating temp. range** -55°C to 120°C

**Construction** Elements molded into a single, integral structure. Metal cover protects and shields the internal parts.

**Sealing** synthetic resin containing non-mercurial fungicide

**Product life** Since all rheostats/potentiometers are electro-mechanical devices, they are subject to mechanical wear and, therefore, have a finite life.

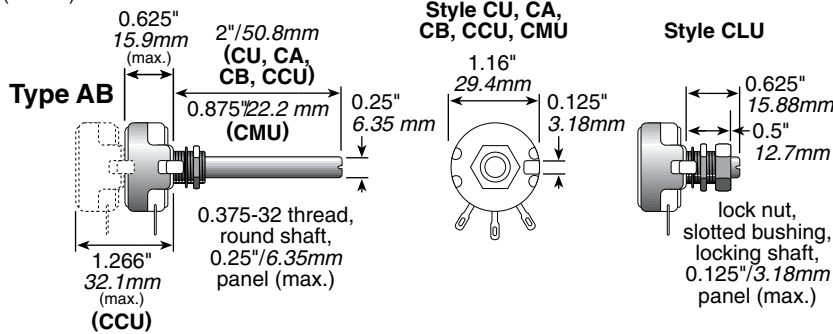
(continued)

# Potentiometers

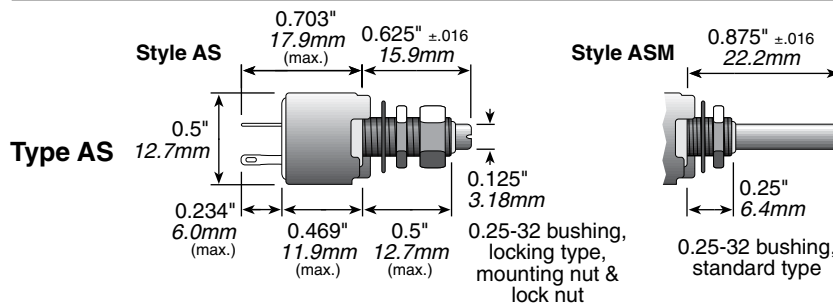
## Molded composition

### DIMENSIONS

(iin./mm)



| Model | Watts | Behind panel | Diameter  | Rotation |
|-------|-------|--------------|-----------|----------|
| AS    | 0.5   | 0.703/17.9   | 0.50/12.7 | 295° ±5° |
| ASM   | 0.5   | 0.703/17.9   | 0.50/12.7 | 295° ±5° |
| CA    | 2.0   | 0.625/15.9   | 1.16/29.4 | 312° ±3° |
| CB    | 2.0   | 0.625/15.9   | 1.16/29.4 | 312° ±3° |
| CU    | 2.0   | 0.625/15.9   | 1.16/29.4 | 312° ±3° |
| CCU   | 2.0   | 1.266/32.1   | 1.16/29.4 | 312° ±3° |
| CLU   | 2.0   | 0.625/15.9   | 1.16/29.4 | 312° ±3° |
| CMU   | 2.0   | 0.625/15.9   | 1.16/29.4 | 312° ±3° |



### ORDERING INFORMATION

| Ohmic value | MIL Designation |        |          | Part No. |           |        |        |        |         |        |             |        |        |   |         |   |          |
|-------------|-----------------|--------|----------|----------|-----------|--------|--------|--------|---------|--------|-------------|--------|--------|---|---------|---|----------|
|             | Prefix          | Suffix | Part No. | Prefix   | Suffix    | Linear | Linear | CW log | CCW log | Linear | Linear Dual | Linear | Linear |   |         |   |          |
| 50          | 500A            | 5001   | ✓        | CMU      | RV4NAVSD  | ✓      | ✓      | ✓      | ✓       | ✓      | ✓           | ✓      | ✓      | ✓ | AS3601E | ✓ | ASM6661E |
| 100         | 101A            | 1011   | ✓        | CU       | RV4NAV SJ | ✓      | ✓      | ✓      | ✓       | ✓      | ✓           | ✓      | ✓      | ✓ | AS3602E | ✓ | ASM6662E |
| 150         | 151A            | 1511   | ✓        | CA       | RV4NAV SJ | ✓      | ✓      | ✓      | ✓       | ✓      | ✓           | ✓      | ✓      | ✓ | AS3603E | ✓ | ASM6663E |
| 250         | 251A            | 2511   | ✓        | CB       | RV4NAV SJ | ✓      | ✓      | ✓      | ✓       | ✓      | ✓           | ✓      | ✓      | ✓ | AS3604E | ✓ | ASM6664E |
| 350         | 351A            | 3511   | ✓        | CLU      | RV4LAYSA  | ✓      | ✓      | ✓      | ✓       | ✓      | ✓           | ✓      | ✓      | ✓ | AS3605E | ✓ | ASM6665E |
| 500         | 501A            | 5011   | ✓        | CCU      | 2RV7NYSJ  | ✓      | ✓      | ✓      | ✓       | ✓      | ✓           | ✓      | ✓      | ✓ | AS3606E | ✓ | ASM6666E |
| 750         | 751A            | 7511   | ✓        |          |           | ✓      | ✓      | ✓      | ✓       | ✓      | ✓           | ✓      | ✓      | ✓ | AS3607E | ✓ | ASM6667E |
| 1,000       | 102A            | 1021   | ✓        |          |           | ✓      | ✓      | ✓      | ✓       | ✓      | ✓           | ✓      | ✓      | ✓ | AS3608E | ✓ | ASM6668E |
| 1,500       | 152A            | 1521   | ✓        |          |           | ✓      | ✓      | ✓      | ✓       | ✓      | ✓           | ✓      | ✓      | ✓ |         |   |          |
| 2,500       | 252A            | 2521   | ✓        |          |           | ✓      | ✓      | ✓      | ✓       | ✓      | ✓           | ✓      | ✓      | ✓ |         |   |          |
| 3,500       | 352A            | 3521   | ✓        |          |           | ✓      | ✓      | ✓      | ✓       | ✓      | ✓           | ✓      | ✓      | ✓ |         |   |          |
| 5,000       | 502A            | 5021   | ✓        |          |           | ✓      | ✓      | ✓      | ✓       | ✓      | ✓           | ✓      | ✓      | ✓ |         |   |          |
| 7,500       | 752A            | 7521   | ✓        |          |           | ✓      | ✓      | ✓      | ✓       | ✓      | ✓           | ✓      | ✓      | ✓ |         |   |          |
| 10,000      | 103A            | 1031   | ✓        |          |           | ✓      | ✓      | ✓      | ✓       | ✓      | ✓           | ✓      | ✓      | ✓ |         |   |          |
| 15,000      | 153A            | 1531   | ✓        |          |           | ✓      | ✓      | ✓      | ✓       | ✓      | ✓           | ✓      | ✓      | ✓ |         |   |          |
| 25,000      | 253A            | 2531   | ✓        |          |           | ✓      | ✓      | ✓      | ✓       | ✓      | ✓           | ✓      | ✓      | ✓ |         |   |          |
| 35,000      | 353A            | 3531   | ✓        |          |           | ✓      | ✓      | ✓      | ✓       | ✓      | ✓           | ✓      | ✓      | ✓ |         |   |          |

✓ = Standard values; check availability  
 \* add "-E" for RoHS-compliant lead-free zinc-nickel plated product