

Rotary Backlock Connector (0.3-mm Pitch, Dual Contact)

XF3B

**Compact body (with a low profile of just 0.9 mm)
supports the applicable FPC thickness of 0.2 mm**

- Wide molding wall on the rear bottom of the connector allows greater freedom in board design
- Dual contact model to enhance the contact structure of lower contact
- Gold plated with an applicable FPC thickness of 0.2 mm
- Halogen Free (See note)

Note: OMRON uses the following standard to determine halogen-free construction: 900 ppm max. for Br, 900 ppm max. for Cl, and 1,500 ppm max. for Br+Cl.

- RoHS Compliant



Ordering Information

| Pins | Model (See Note 1.) | Quantity per reel (unit) (See Note 2.) |
|------|---------------------|--|
| 8 | XF3B-0845-31A | 2,000 |
| 19 | XF3B-1945-31A | |
| 25 | XF3B-2545-31A | |
| 35 | XF3B-3545-31A | |
| 51 | XF3B-5145-31AE | 1,500 |
| 67 | XF3B-6745-31AE | |

- Note:** 1. The end of the model number indicates the slider specification. None: Standard type E: Easy lock type
2. Please order by integer multiple of the quantity per reel.

Ratings and Specifications

■ Characteristics

| | |
|-------------------------------|---|
| Rated current | 0.2 A AC/DC |
| Rated voltage | 50 V AC/DC |
| Contact resistance | 80 mΩ max. (at 20 mV DC max., 100 mA max.) |
| Insulation resistance | 100 MΩ min. (at 250 VDC) |
| Withstand voltage | 250 VAC for 1 min. (leakage current: 1 mA max.) |
| Insertion tolerance | 20 times |
| Ambient operating temperature | -30 to 85°C (with no icing or condensation) |

■ Materials and Finish

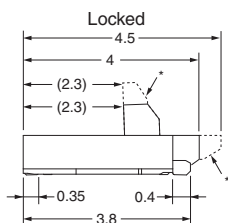
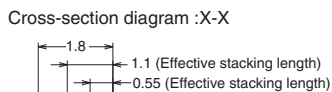
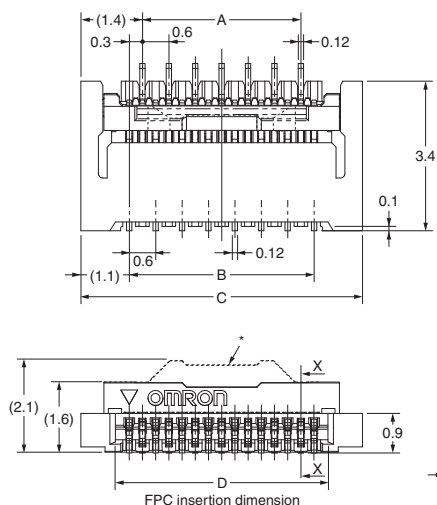
| | |
|----------|---|
| Housing | LCP resin (UL94V-0)/natural |
| Slider | LCP resin (UL94V-0)/brown |
| Contacts | Spring copper alloy/nickel substrate (2 μm) Gold-plated contacts (0.15 μm) |

Dimensions

Unit: mm

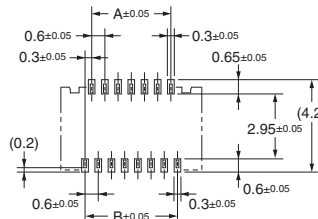
XF3B-□□45-31A

XF3B-□□45-31AE



* Dotted lines indicate the shape and dimensions of the XF3B-□□45-31AE connectors.

PCB Mating Dimensions (TOP VIEW)



Applicable FPC Dimensions

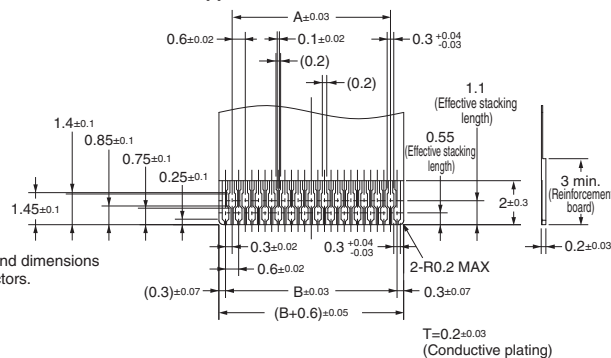


Table of Dimensions

| Pins | Model | A | B (See note) | C | D |
|------|----------------|------|--------------|------|-------|
| 8 | XF3B-0845-31A | 1.8 | 2.1 | 4.3 | 2.75 |
| 19 | XF3B-1945-31A | 4.8 | 5.4 | 7.6 | 6.05 |
| 25 | XF3B-2545-31A | 6.6 | 7.2 | 9.4 | 7.85 |
| 35 | XF3B-3545-31A | 9.6 | 10.2 | 12.4 | 10.85 |
| 51 | XF3B-5145-31AE | 14.4 | 15.0 | 17.2 | 15.65 |
| 67 | XF3B-6745-31AE | 19.2 | 19.8 | 22.0 | 20.45 |

Note: Dimension B indicates total pitch.



All sales are subject to Omron Electronic Components LLC standard terms and conditions of sale, which can be found at http://www.components.omron.com/components/web/webfiles.nsf/sales_terms.html

ALL DIMENSIONS SHOWN ARE IN MILLIMETERS.
To convert millimeters into inches, multiply by 0.03937. To convert grams into ounces, multiply by 0.03527.

OMRON[®]

**OMRON ELECTRONIC
COMPONENTS LLC**

55 E. Commerce Drive, Suite B
Schaumburg, IL 60173

847-882-2288

OMRON ON-LINE

Global - <http://www.omron.com>

USA - <http://www.components.omron.com>