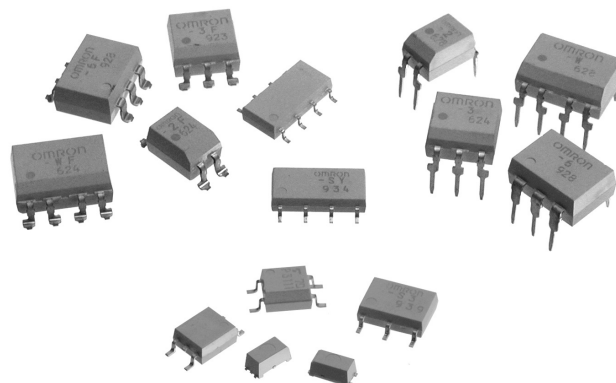


MOS FET Relays G3VM Series

Wide Range of Contact Forms, Sizes and Package Types

- Controls load voltages up to 600 V.
- Terminal packages include PCB through-hole, SMT gullwing, SOP, and SSOP.
- Low ON-resistance, low output capacitance, current limiting, and high dielectric (5000 VAC) models available.
- Packaged for efficient automatic insertion: PCB through-hole and SMT are in tubes; tape-and-reel packaging is standard for SOP and SSOP models, and optional for SMT models ("TR" suffix).
- Complete specifications follow, divided by Package Type, Terminals and Contact Form.



Typical Applications

■ Communications

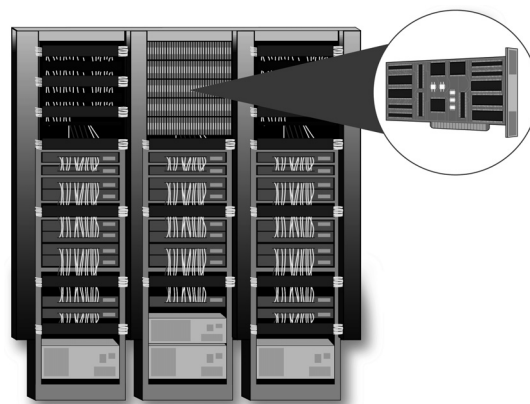
- Local area network equipment
- Central office circuit boards for subscriber line interfaces, multiplexers and other routing equipment
- Wireless communications for cell phones and pagers
- Set-top TV boxes with internal modems
- Fax machines
- PCMCIA card
- Internal modems for PDA equipment and laptop computers

■ Test & Measurement

- Board testers
- IC testers
- Portable voltage testers

■ Security

- Alarm control boards
- Home security systems
- Garage door openers



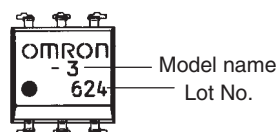
Selection Guide

| Load voltage | Contact form | Package/Terminal shape | No. of terminals | Model | Load current (mA) | Voltage withstand (VAC) | ON resistance (max.) | Output capacitance | Additional features | Page no. | | | | |
|--------------|------------------|------------------------|------------------|-------------------|-------------------|-------------------------|----------------------|--------------------|---------------------|-------------------|-----|---------------|-------------------|----|
| 20V | 1 Form A | SMT | 8 | G3VM-22FO | 150 | 2,500 | 4 Ω | 8 pF (typ.) | Low ON resistance | 62 | | | | |
| | | | 4 | G3VM-21GR | 160 | 1,500 | 8 Ω | 2.5 pF (max.) | Low pF•Ω | 70 | | | | |
| | | SSOP | 4 | G3VM-21GR1 | 300 | 1,500 | 1.5 Ω | 12 pF (max.) | Low pF•Ω | 70 | | | | |
| | | | 4 | G3VM-21LR | 150 | 1,500 | 8 Ω | 12 pF (max.) | — | 88 | | | | |
| | | | | G3VM-21LR1 | 300 | 1,500 | 1.5 Ω | 12 pF (max.) | Low pF•Ω | 88 | | | | |
| 40V | 1 Form A | SOP | 4 | G3VM-41GR3 | 80 | 1,500 | 37 Ω | 1.4 pF (max.) | — | 72 | | | | |
| | | | | G3VM-41GR4 | 250 | 1,500 | 3 Ω | 7 pF (max.) | Low pF•Ω | 74 | | | | |
| | | | | G3VM-41GR5 | 300 | 1,500 | 1.5 Ω | 14 pF (max.) | Low pF•Ω | 74 | | | | |
| | | | | G3VM-41GR6 | 120 | 1,500 | 15 Ω | 2 pF (max.) | Low pF•Ω | 74 | | | | |
| | | SSOP | 4 | G3VM-41LR3 | 80 | 1,500 | 35 Ω | 1.4 pF (max.) | — | 88 | | | | |
| | | | | G3VM-41LR4 | 250 | 1,500 | 3 Ω | 7 pF (max.) | Low pF•Ω | 90 | | | | |
| | | | | G3VM-41LR5 | 300 | 1,500 | 1.5 Ω | 14 pF (max.) | Low pF•Ω | 90 | | | | |
| | | | | G3VM-41LR6 | 120 | 1,500 | 15 Ω | 2 pF (max.) | Low pF•Ω | 90 | | | | |
| | | | | 60V | 1 Form A | Thru-hole | 4 | G3VM-61A | 500 | 2,500 | 2 Ω | 140 pF (max.) | Low ON resistance | 32 |
| | | | | | | | | G3VM-61A1 | 500 | 2,500 | 2 Ω | 130 pF (typ.) | Low ON resistance | 34 |
| 6 | G3VM-61B | 500 | 2,500 | 2 Ω | 140 pF (max.) | | Low ON resistance | 38 | | | | | | |
| | G3VM-61B1 | 500 | 2,500 | 2 Ω | 130 pF (typ.) | | Low ON resistance | 40 | | | | | | |
| | G3VM-V | 300 | 2,500 | 2 Ω | 170 pF (typ.) | | Low ON resistance | 40 | | | | | | |
| 8 | G3VM-61CP | 500 | 2,500 | 0.6 Ω | 500 pF (max.) | | Low ON resistance | 42 | | | | | | |
| | G3VM-61CR | 2000 | 1,500 | 0.12 Ω | 1400 pF (max.) | | Low ON resistance | 44 | | | | | | |
| SMT | 4 | G3VM-61D | 500 | 2,500 | 2 Ω | | 140 pF (max.) | Low ON resistance | 52 | | | | | |
| | | G3VM-61D1 | 500 | 2,500 | 2 Ω | | 130 pF (typ.) | Low ON resistance | 54 | | | | | |
| | | 6 | G3VM-61E | 500 | 2,500 | | 2 Ω | 140 pF (max.) | Low ON resistance | 58 | | | | |
| | | | G3VM-61E1 | 500 | 2,500 | | 2 Ω | 130 pF (typ.) | Low ON resistance | 60 | | | | |
| 60 V | 1 Form A | SMT | 6 | G3VM-VF | 300 | | 2,500 | 2 Ω | 170 pF (typ.) | Low ON resistance | 60 | | | |
| | | | 8 | G3VM-61FP | 500 | 2,500 | 0.6 Ω | 500 pF (max.) | Low ON resistance | 64 | | | | |
| | | | | G3VM-61FR | 2000 | 1,500 | 0.12 Ω | 1400 pF (max.) | Low ON resistance | 64 | | | | |
| | | SOP | 4 | G3VM-61G1 | 400 | 1,500 | 2 Ω | 130 pF (typ.) | Low ON resistance | 76 | | | | |
| | | | | G3VM-S1 | 400 | 1,500 | 2 Ω | 140 pF (max.) | Low ON resistance | 76 | | | | |
| | | | | G3VM-61H1 | 400 | 1,500 | 2 Ω | 130 pF (typ.) | Low ON resistance | 80 | | | | |
| | | 2 Form A | Thru-hole | 8 | G3VM-62C1 | 500 | 2,500 | 2 Ω | 130 pF (typ.) | Low ON resistance | 46 | | | |
| | | | SMT | 8 | G3VM-62F1 | 500 | 2,500 | 2 Ω | 130 pF (typ.) | Low ON resistance | 66 | | | |
| | | | SOP | 8 | G3VM-62J1 | 400 | 1,500 | 2 Ω | 130 pF (typ.) | Low ON resistance | 84 | | | |
| | G3VM-SY | 300 | | | 1,500 | 2 Ω | 140 pF (max.) | Low ON resistance | 86 | | | | | |
| | 80 V | 1 Form A | SOP | 4 | G3VM-81G1 | 350 | 1,500 | 1.2 Ω | 40 pF (max.) | Low ON resistance | 76 | | | |
| 6 | | | | G3VM-81HR | 1250 | 1,500 | 0.15 Ω | 1000 pF (max.) | Low ON resistance | 80 | | | | |
| 200 V | 1 Form A | SOP | 4 | G3VM-S5 | 150 | 1,500 | 8 Ω | 100 pF (typ.) | — | 78 | | | | |

| Load voltage | Contact form | Package/ Terminal shape | No. of terminals | Model | Load current (mA) | Voltage withstand (VAC) | ON resistance (max.) | Output capacitance | Additional features | Page no. | | | |
|--------------|--------------|----------------------------|------------------|------------------------|-------------------|-------------------------|----------------------|--------------------|---------------------|------------------|--------------|----|----|
| 350 V | 1 Form A | Thru-hole | 4 | G3VM-2 | 120 | 2,500 | 35 Ω | 75 pF (typ.) | — | 30 | | | |
| | | | | G3VM-2L | 120 | 2,500 | 35 Ω | 75 pF (typ.) | Current limiting | 30 | | | |
| | | | | G3VM-351A | 120 | 2,500 | 35 Ω | 30 pF (typ.) | — | 30 | | | |
| | | | 6 | G3VM-351B | 120 | 2,500 | 35 Ω | 30 pF (typ.) | — | 34 | | | |
| | | | | G3VM-3 | 120 | 2,500 | 35 Ω | 75 pF (typ.) | — | 36 | | | |
| | | | | G3VM-3L | 120 | 2,500 | 35 Ω | 75 pF (typ.) | Current limiting | 36 | | | |
| 350 V | 1 Form A | SMT | 4 | G3VM-2F | 120 | 2,500 | 35 Ω | 75 pF (typ.) | — | 50 | | | |
| | | | | G3VM-2FL | 120 | 2,500 | 35 Ω | 75 pF (typ.) | Current limiting | 50 | | | |
| | | | | G3VM-351D | 120 | 2,500 | 35 Ω | 30 pF (typ.) | — | 50 | | | |
| | | | 6 | G3VM-351E | 120 | 2,500 | 35 Ω | 30 pF (typ.) | — | 54 | | | |
| | | | | G3VM-3F | 120 | 2,500 | 35 Ω | 75 pF (typ.) | — | 56 | | | |
| | | | | G3VM-3FL | 120 | 2,500 | 35 Ω | 75 pF (typ.) | Current limiting | 56 | | | |
| | | SOP | 4 | G3VM-351G | 110 | 1,500 | 35 Ω | 30 pF (typ.) | — | 70 | | | |
| | | | | G3VM-S2 | 120 | 1,500 | 35 Ω | 75 pF (typ.) | — | 78 | | | |
| | | | | G3VM-351H | 110 | 1,500 | 35 Ω | 30 pF (typ.) | — | 78 | | | |
| | | | 6 | G3VM-S3 | 120 | 1,500 | 35 Ω | 75 pF (typ.) | — | 82 | | | |
| | | | | 1 Form A + 1 Form B | Thru-hole | 8 | G3VM-355CR | 120 | 2,500 | 25 Ω | 65 pF (typ.) | — | 44 |
| | | | | | SMT | 8 | G3VM-355FR | 120 | 2,500 | 25 Ω | 65 pF (typ.) | — | 64 |
| | SOP | 8 | G3VM-355JR | 120 | 2,500 | 25 Ω | 65 pF (typ.) | — | 82 | | | | |
| | 2 Form A | Thru-hole | 8 | G3VM-352C | 120 | 2,500 | 35 Ω | 30 pF (typ.) | — | 44 | | | |
| | | | | G3VM-W | 120 | 2,500 | 35 Ω | 75 pF (typ.) | — | 46 | | | |
| | | | | G3VM-WL | 120 | 2,500 | 35 Ω | 75 pF (typ.) | Current limiting | 48 | | | |
| | | | SMT | 8 | G3VM-352F | 120 | 2,500 | 35 Ω | 30 pF (typ.) | — | 66 | | |
| | | | | | G3VM-WF | 120 | 2,500 | 35 Ω | 75 pF (typ.) | — | 68 | | |
| | | | | | G3VM-WFL | 120 | 2,500 | 35 Ω | 75 pF (typ.) | Current limiting | 68 | | |
| | | SOP | 8 | G3VM-352J | 110 | 1,500 | 35 Ω | 30 pF (typ.) | — | 82 | | | |
| | | | | G3VM-SW | 120 | 1,500 | 35 Ω | 75 pF (typ.) | — | 84 | | | |
| 1 Form B | | | | Thru-hole | 4 | G3VM-353A | 150 | 2,500 | 25 Ω | 100 pF (typ.) | — | 32 | |
| | | 6 | G3VM-353B | | 150 | 2,500 | 25 Ω | 100 pF (typ.) | — | 34 | | | |
| SMT | | 4 | G3VM-353D | 150 | 2,500 | 25 Ω | 100 pF (typ.) | — | 52 | | | | |
| | | | 6 | G3VM-353E | 150 | 2,500 | 25 Ω | 100 pF (typ.) | — | 54 | | | |
| 350 V | 1 Form B | SOP | 4 | G3VM-353G | 120 | 1,500 | 25 Ω | 130 pF (typ.) | — | 72 | | | |
| | | | 6 | G3VM-353H | 120 | 1,500 | 25 Ω | 65 pF (typ.) | — | 80 | | | |
| | 2 Form B | Thru-hole | 8 | G3VM-354C | 120 | 2,500 | 35 Ω | 100 pF (typ.) | — | 48 | | | |
| | | | 8 | G3VM-354F | 120 | 2,500 | 35 Ω | 100 pF (typ.) | — | 68 | | | |
| | | | 8 | G3VM-354J | 120 | 1,500 | 25 Ω | 65 pF (typ.) | — | 86 | | | |
| | | | 8 | G3VM-401A | 120 | 2,500 | 35 Ω | 70 pF (typ.) | — | 32 | | | |
| 400 V | 1 Form A | Thru-hole | 4 | G3VM-401A | 120 | 2,500 | 35 Ω | 70 pF (typ.) | — | 32 | | | |
| | | | | 6 | G3VM-401B | 120 | 2,500 | 35 Ω | 75 pF (typ.) | — | 36 | | |
| | | | 6 | G3VM-401BY | 120 | 5,000 | 35 Ω | 75 pF (typ.) | High I/O isolation | 38 | | | |
| | | SMT | 4 | G3VM-401D | 120 | 2,500 | 35 Ω | 70 pF (typ.) | — | 52 | | | |
| | | | | 6 | G3VM-401E | 120 | 2,500 | 35 Ω | 75 pF (typ.) | — | 56 | | |
| | | | 6 | G3VM-401EY | 120 | 5,000 | 35 Ω | 75 pF (typ.) | High I/O isolation | 58 | | | |
| | SOP | 4 | G3VM-401G | 120 | 1,500 | 35 Ω | 70 pF (typ.) | — | 72 | | | | |
| | | | 2 Form A | Thru-hole | 8 | G3VM-402C | 120 | 2,500 | 35 Ω | 70 pF (typ.) | — | 46 | |
| | | | | | 8 | G3VM-402F | 120 | 2,500 | 35 Ω | 70 pF (typ.) | — | 66 | |
| | | | | | 8 | G3VM-402J | 120 | 2,500 | 35 Ω | 70 pF (typ.) | — | 84 | |
| 600 V | 1 Form A | Thru-hole | 6 | G3VM-601BY | 100 | 5,000 | 45 Ω | 100 pF (typ.) | High I/O isolation | 38 | | | |
| | | SMT | 6 | G3VM-601EY | 100 | 5,000 | 35 Ω | 100 pF (typ.) | High I/O isolation | 58 | | | |

Part Number Index and Ordering Information

Note: "G3VM" is not printed on the actual product.



The following tables show standard quantities of G3VM relays as shipped in tubes or tape-and-reel packaging. Dimensions for tape-and-reel parts are shown in individual data sheets that follow.

| Description | Packaging | Standard pack quantity | Model | Page no. |
|------------------------|---------------|------------------------|----------------|----------|
| MOSFET THRU-HOLE RELAY | Tube | 50 | G3VM-2 | 30 |
| MOSFET SMT RELAY | Tube | 50 | G3VM-2F | 50 |
| MOSFET SMT RELAY | Tape-and-reel | 1500 | G3VM-2F(TR) | 50 |
| MOSFET SMT RELAY | Tube | 50 | G3VM-2FL | 50 |
| MOSFET SMT RELAY | Tape-and-reel | 1500 | G3VM-2FL(TR) | 50 |
| MOSFET THRU-HOLE RELAY | Tube | 50 | G3VM-2L | 30 |
| MOSFET SOP RELAY | Tube | 50 | G3VM-21GR | 70 |
| MOSFET SOP RELAY | Tape-and-reel | 2500 | G3VM-21GR(TR) | 70 |
| MOSFET SOP RELAY | Tube | 50 | G3VM-21GR1 | 70 |
| MOSFET SOP RELAY | Tape-and-reel | 2500 | G3VM-21GR1(TR) | 70 |
| MOSFET SSOP RELAY | Tape-and-reel | 1500 | G3VM-21LR | 88 |
| MOSFET SSOP RELAY | Tape-and-reel | 1500 | G3VM-21LR1 | 88 |
| MOSFET SMT RELAY | Tube | 50 | G3VM-22FO | 62 |
| MOSFET SMT RELAY | Tape-and-reel | 1500 | G3VM-22FO(TR) | 62 |
| MOSFET THRU-HOLE RELAY | Tube | 50 | G3VM-3 | 36 |
| MOSFET SMT RELAY | Tube | 50 | G3VM-3F | 56 |
| MOSFET SMT RELAY | Tape-and-reel | 1500 | G3VM-3F(TR) | 56 |
| MOSFET SMT RELAY | Tube | 50 | G3VM-3FL | 56 |
| MOSFET SMT RELAY | Tape-and-reel | 1500 | G3VM-3FL(TR) | 56 |
| MOSFET THRU-HOLE RELAY | Tube | 50 | G3VM-3L | 36 |
| MOSFET THRU-HOLE RELAY | Tube | 50 | G3VM-351A | 30 |
| MOSFET THRU-HOLE RELAY | Tube | 50 | G3VM-351B | 34 |
| MOSFET SMT RELAY | Tube | 50 | G3VM-351D | 50 |
| MOSFET SMT RELAY | Tape-and-reel | 1500 | G3VM-351D(TR) | 50 |
| MOSFET SMT RELAY | Tube | 50 | G3VM-351E | 54 |
| MOSFET SMT RELAY | Tape-and-reel | 1500 | G3VM-351E(TR) | 54 |
| MOSFET SOP RELAY | Tube | 50 | G3VM-351G | 70 |
| MOSFET SOP RELAY | Tape-and-reel | 2500 | G3VM-351G(TR) | 70 |
| MOSFET SOP RELAY | Tube | 50 | G3VM-351H | 78 |
| MOSFETSOP RELAY | Tape-and-reel | 2500 | G3VM-351H(TR) | 78 |
| MOSFET THRU-HOLE RELAY | Tube | 50 | G3VM-352C | 44 |
| MOSFET SMT RELAY | Tube | 50 | G3VM-352F | 66 |
| MOSFET SMT RELAY | Tape-and-reel | 1500 | G3VM-352F(TR) | 66 |
| MOSFET SOP RELAY | Tube | 50 | G3VM-352J | 82 |
| MOSFET SOP RELAY | Tape-and-reel | 2500 | G3VM-352J(TR) | 82 |

| Description | Packaging | Standard pack quantity | Model | Page no. |
|------------------------|---------------|------------------------|----------------|----------|
| MOSFET THRU-HOLE RELAY | Tube | 50 | G3VM-353A | 32 |
| MOSFET THRU-HOLE RELAY | Tube | 50 | G3VM-353B | 34 |
| MOSFET SMT RELAY | Tube | 50 | G3VM-353D | 52 |
| MOSFET SMT RELAY | Tape-and-reel | 1500 | G3VM-353D(TR) | 52 |
| MOSFET SMT RELAY | Tube | 50 | G3VM-353E | 54 |
| MOSFET SMT RELAY | Tape-and-reel | 1500 | G3VM-353E(TR) | 54 |
| MOSFET SOP RELAY | Tube | 50 | G3VM-353G | 72 |
| MOSFET SOP RELAY | Tape-and-reel | 2500 | G3VM-353G(TR) | 72 |
| MOSFET SOP RELAY | Tube | 50 | G3VM-353H | 80 |
| MOSFET SOP RELAY | Tape-and-reel | 2500 | G3VM-353H(TR) | 80 |
| MOSFET THRU-HOLE RELAY | Tube | 50 | G3VM-354C | 48 |
| MOSFET SMT RELAY | Tube | 50 | G3VM-354F | 68 |
| MOSFET SMT RELAY | Tape-and-reel | 1500 | G3VM-354F(TR) | 68 |
| MOSFET SOP RELAY | Tube | 50 | G3VM-354J | 86 |
| MOSFET SOP RELAY | Tape-and-reel | 2500 | G3VM-354J(TR) | 86 |
| MOSFET THRU-HOLE RELAY | Tube | 50 | G3VM-355CR | 44 |
| MOSFET SMT RELAY | Tube | 50 | G3VM-355FR | 64 |
| MOSFET SMT RELAY | Tape-and-reel | 1500 | G3VM-355FR(TR) | 64 |
| MOSFET SOP RELAY | Tube | 50 | G3VM-355JR | 82 |
| MOSFET SOP RELAY | Tape-and-reel | 2500 | G3VM-355JR(TR) | 82 |
| MOSFET SOP RELAY | Tube | 50 | G3VM-41GR3 | 72 |
| MOSFET SOP RELAY | Tape-and-reel | 2500 | G3VM-41GR3(TR) | 72 |
| MOSFET SOP RELAY | Tube | 50 | G3VM-41GR4 | 74 |
| MOSFET SOP RELAY | Tape-and-reel | 2500 | G3VM-41GR4(TR) | 74 |
| MOSFET SOP RELAY | Tube | 50 | G3VM-41GR5 | 74 |
| MOSFET SOP RELAY | Tape-and-reel | 2500 | G3VM-41GR5(TR) | 74 |
| MOSFET SOP RELAY | Tube | 50 | G3VM-41GR6 | 74 |
| MOSFET SOP RELAY | Tape-and-reel | 2500 | G3VM-41GR6(TR) | 74 |
| MOSFET SSOP RELAY | Tape-and-reel | 1500 | G3VM-41LR3 | 88 |
| MOSFET SSOP RELAY | Tape-and-reel | 1500 | G3VM-41LR4 | 90 |
| MOSFET SSOP RELAY | Tape-and-reel | 1500 | G3VM-41LR5 | 90 |
| MOSFET SSOP RELAY | Tape-and-reel | 1500 | G3VM-41LR6 | 90 |
| MOSFET THRU-HOLE RELAY | Tube | 50 | G3VM-401A | 32 |
| MOSFET THRU-HOLE RELAY | Tube | 50 | G3VM-401B | 36 |
| MOSFET THRU-HOLE RELAY | Tube | 50 | G3VM-401BY | 38 |
| MOSFET SMT RELAY | Tube | 50 | G3VM-401D | 52 |
| MOSFET SMT RELAY | Tape-and-reel | 1500 | G3VM-401D(TR) | 52 |
| MOSFET SMT RELAY | Tube | 50 | G3VM-401E | 56 |
| MOSFET SMT RELAY | Tape-and-reel | 1500 | G3VM-401E(TR) | 56 |
| MOSFET SMT RELAY | Tube | 50 | G3VM-401EY | 58 |
| MOSFET SMT RELAY | Tape-and-reel | 1500 | G3VM-401EY(TR) | 58 |

This table continues on the next page.

| Description | Packaging | Standard pack quantity | Model | Page no. |
|------------------------|---------------|------------------------|----------------|----------|
| MOSFET SOP RELAY | Tube | 50 | G3VM-401G | 72 |
| MOSFET SOP RELAY | Tape-and-reel | 2500 | G3VM-401G(TR) | 72 |
| MOSFET THRU-HOLE RELAY | Tube | 50 | G3VM-402C | 46 |
| MOSFET SMT RELAY | Tube | 50 | G3VM-402F | 66 |
| MOSFET SMT RELAY | Tape-and-reel | 1500 | G3VM-402F(TR) | 66 |
| MOSFET SOP RELAY | Tube | 50 | G3VM-402J | 84 |
| MOSFET SOP RELAY | Tape-and-reel | 2500 | G3VM-402J(TR) | 84 |
| MOSFET THRU-HOLE RELAY | Tube | 50 | G3VM-61A | 32 |
| MOSFET THRU-HOLE RELAY | Tube | 50 | G3VM-61A1 | 34 |
| MOSFET THRU-HOLE RELAY | Tube | 50 | G3VM-61B | 38 |
| MOSFET THRU-HOLE RELAY | Tube | 50 | G3VM-61B1 | 40 |
| MOSFET THRU-HOLE RELAY | Tube | 50 | G3VM-61CP | 42 |
| MOSFET THRU-HOLE RELAY | Tube | 50 | G3VM-61CR | 44 |
| MOSFET SMT RELAY | Tube | 50 | G3VM-61D | 52 |
| MOSFET SMT RELAY | Tape-and-reel | 1500 | G3VM-61D(TR) | 52 |
| MOSFET SMT RELAY | Tube | 50 | G3VM-61D1 | 54 |
| MOSFET SMT RELAY | Tape-and-reel | 1500 | G3VM-61D1(TR) | 54 |
| MOSFET SMT RELAY | Tube | 50 | G3VM-61E | 58 |
| MOSFET SMT RELAY | Tape-and-reel | 1500 | G3VM-61E(TR) | 58 |
| MOSFET SMT RELAY | Tube | 50 | G3VM-61E1 | 60 |
| MOSFET SMT RELAY | Tape-and-reel | 1500 | G3VM-61E1(TR) | 60 |
| MOSFET SMT RELAY | Tube | 50 | G3VM-61FP | 64 |
| MOSFET SMT RELAY | Tape-and-reel | 1500 | G3VM-61FP(TR) | 64 |
| MOSFET SMT RELAY | Tube | 50 | G3VM-61FR | 64 |
| MOSFET SMT RELAY | Tape-and-reel | 1500 | G3VM-61FR(TR) | 64 |
| MOSFET SOP RELAY | Tube | 50 | G3VM-61G1 | 76 |
| MOSFET SOP RELAY | Tape-and-reel | 2500 | G3VM-61G1(TR) | 76 |
| MOSFET SOP RELAY | Tube | 50 | G3VM-61H1 | 80 |
| MOSFET SOP RELAY | Tape-and-reel | 2500 | G3VM-61H1(TR) | 80 |
| MOSFET THRU-HOLE RELAY | Tube | 50 | G3VM-62C1 | 46 |
| MOSFET SMT RELAY | Tube | 50 | G3VM-62F1 | 66 |
| MOSFET SMT RELAY | Tape-and-reel | 1500 | G3VM-62F1(TR) | 66 |
| MOSFET SOP RELAY | Tube | 50 | G3VM-62J1 | 84 |
| MOSFET SOP RELAY | Tape-and-reel | 2500 | G3VM-62J1(TR) | 84 |
| MOSFET THRU-HOLE RELAY | Tube | 50 | G3VM-601BY | 38 |
| MOSFET SMT RELAY | Tube | 50 | G3VM-601EY | 58 |
| MOSFET SMT RELAY | Tape-and-reel | 1500 | G3VM-601EY(TR) | 58 |
| MOSFET SOP RELAY | Tube | 50 | G3VM-81G1 | 76 |
| MOSFET SOP RELAY | Tape-and-reel | 2500 | G3VM-81G1(TR) | 76 |
| MOSFET SOP RELAY | Tube | 50 | G3VM-81HR | 80 |
| MOSFET SOP RELAY | Tape-and-reel | 2500 | G3VM-81HR(TR) | 80 |

| Description | Packaging | Standard pack quantity | Model | Page no. |
|------------------------|---------------|------------------------|--------------|----------|
| MOSFET SOP RELAY | Tube | 50 | G3VM-S1 | 76 |
| MOSFET SOP RELAY | Tape-and-reel | 2500 | G3VM-S1(TR) | 76 |
| MOSFET SOP RELAY | Tube | 50 | G3VM-S2 | 78 |
| MOSFET SOP RELAY | Tape-and-reel | 2500 | G3VM-S2(TR) | 78 |
| MOSFET SOP RELAY | Tube | 50 | G3VM-S3 | 82 |
| MOSFET SOP RELAY | Tape-and-reel | 2500 | G3VM-S3(TR) | 82 |
| MOSFET SOP RELAY | Tube | 50 | G3VM-S5 | 78 |
| MOSFET SOP RELAY | Tape-and-reel | 2500 | G3VM-S5(TR) | 78 |
| MOSFET SOP RELAY | Tube | 50 | G3VM-SW | 84 |
| MOSFET SOP RELAY | Tape-and-reel | 2500 | G3VM-SW(TR) | 84 |
| MOSFET SOP RELAY | Tube | 50 | G3VM-SY | 86 |
| MOSFET SOP RELAY | Tape-and-reel | 2500 | G3VM-SY(TR) | 86 |
| MOSFET THRU-HOLE RELAY | Tube | 50 | G3VM-V | 40 |
| MOSFET SMT RELAY | Tube | 50 | G3VM-VF | 60 |
| MOSFET SMT RELAY | Tape-and-reel | 1500 | G3VM-VF(TR) | 60 |
| MOSFET THRU-HOLE RELAY | Tube | 50 | G3VM-W | 46 |
| MOSFET SMT RELAY | Tube | 50 | G3VM-WF | 68 |
| MOSFET SMT RELAY | Tape-and-reel | 1500 | G3VM-WF(TR) | 68 |
| MOSFET SMT RELAY | Tube | 50 | G3VM-WFL | 68 |
| MOSFET SMT RELAY | Tape-and-reel | 1500 | G3VM-WFL(TR) | 68 |
| MOSFET THRU-HOLE RELAY | Tube | 50 | G3VM-WL | 48 |

Specifications tables begin on the following page.

Specifications

G3VM-2, -2L, -351A

Maximum Rating

| Parameter | | Comments and conditions | | G3VM-2 | G3VM-2L | G3VM-351A |
|--------------------------------|--------------------------------|---------------------------------------|---------|---------------------------------------|---------------------------------------|---------------------------------------|
| Contact form/no. of terminals | | — | | 1 Form A/4 pins | 1 Form A/4 pins | 1 Form A/4 pins |
| Input (LED) | LED forward current | I_F | Typical | 50 mA | 50 mA | 50 mA |
| | | I_{FP} (100 μ s pulse, 100 pps) | Max. | 1 A | 1 A | 1 A |
| | Forward current derating | $T_a \geq 25^\circ\text{C}$ | | -0.5 mA/ $^\circ\text{C}$ | -0.5 mA/ $^\circ\text{C}$ | -0.5 mA/ $^\circ\text{C}$ |
| | Reverse voltage | V_R | Max. | 5 V | 6 V | 5 V |
| Junction temperature (T_J) | | | | 125 $^\circ\text{C}$ | 125 $^\circ\text{C}$ | 125 $^\circ\text{C}$ |
| Output (Detector) | Output voltage strength | V_{OFF} | | 350 V | 350 V (AC or DC peak) | 350 V |
| | Continuous load current | I_O | | 120 mA | 120 mA | 120 mA |
| | ON-state current derating | $T_a \geq 25^\circ\text{C}$ | | -1.2 mA/ $^\circ\text{C}$ | -1.2 mA/ $^\circ\text{C}$ | -1.2 mA/ $^\circ\text{C}$ |
| | Junction temperature (T_J) | | | | 125 $^\circ\text{C}$ | 125 $^\circ\text{C}$ |
| Dielectric strength | | $V_{I/O}$ for 1 minute min. | | 2500 VAC | 2500 VAC | 2500 VAC |
| Temperature | Ambient | T_a with no icing | | -20 $^\circ$ to +85 $^\circ\text{C}$ | -40 $^\circ$ to +85 $^\circ\text{C}$ | -40 $^\circ$ to +85 $^\circ\text{C}$ |
| | Storage | T_{stg} with no icing | | -55 $^\circ$ to +100 $^\circ\text{C}$ | -55 $^\circ$ to +125 $^\circ\text{C}$ | -55 $^\circ$ to +125 $^\circ\text{C}$ |

Electrical Characteristics

| Parameter | | Comments and conditions | | G3VM-2 | G3VM-2L | G3VM-351A |
|----------------------------------|---|-------------------------------|---------|-----------------|-----------------|---------------------------------------|
| Input | LED forward voltage (V_F) | $I_F=10$ mA | Min. | 1.0 V | 1.0 V | 1.0 V |
| | | | Typical | 1.15 V | 1.15 V | 1.15 V |
| | | | Max. | 1.3 V | 1.3 V | 1.3 V |
| | Reverse current | I_R | Max. | 10 μ A | 10 μ A | 10 μ A |
| | Reverse voltage | V_R | Max. | 5 V | 6 V | 5 V |
| | Capacitance (C_T) | $V = 0$; freq. = 1 MHz | Typical | 30 pF | 30 pF | 30 pF |
| Keep ON LED current (I_{FT}) | $I_O = 120$ mA | Typical | 2 mA | 1 mA | 1 mA | |
| | | Max. | 3 mA | 3 mA | 3 mA | |
| Output | ON-resistance (R_{ON}) | $I_{ON}=120$ mA $I_F=5$ mA | Typical | 22 Ω | 22 Ω | 35 Ω (25 Ω , $t < 1$ s) |
| | | | Max. | 35 Ω | 35 Ω | 50 Ω (35 Ω , $t < 1$ s) |
| | OFF-state leakage current (I_{LEAK}) | $V_{OFF} = 350$ V | Max. | 1.0 μ A | 1.0 μ A | 1.0 μ A |
| Limit current (I_{LIM}) | $I_F = 5$ mA, $V_{DD} = 5$ V, $t = 5$ ms | Min. | — | 150 mA | — | |
| | | Max. | — | 300 mA | — | |
| Transfer characteristics | I/O capacitance | $(C_{I/O})$ | Typical | 0.8 pF | 0.8 pF | 0.8 pF |
| | I/O resistance | $(R_{I/O})$ | Min. | 1000 M Ω | 1000 M Ω | 1000 M Ω |
| | Operate time | (t_{ON}) | Max. | 1.0 ms | 1.0 ms | 1.0 ms |
| | Release time | (t_{OFF}) | Max. | 1.0 ms | 1.0 ms | 1.0 ms |

Optimum Operating Conditions

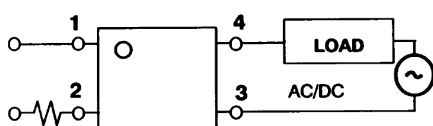
| Parameter | Comments and conditions | G3VM-2 | G3VM-2L | G3VM-351A |
|-----------------------------|-------------------------|----------------|--------------|--------------|
| Output voltage strength | V_{DD} | Max. 280 V | 280 V | 280 V |
| Operate LED forward current | I_F | Min. 5 mA | 5 mA | 5 mA |
| | | Typical 7.5 mA | 7.5 mA | 7.5 mA |
| | | Max. 25 mA | 25 mA | 25 mA |
| Continuous load current | I_O | Max. 100 mA | 100 mA | 100 mA |
| Ambient temperature | T_A | -20° to 65°C | -20° to 65°C | -20° to 65°C |

Dimensions

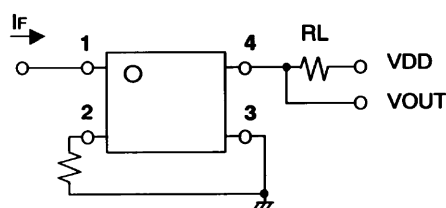
| Item | G3VM-2 | G3VM-2L | G3VM-351A |
|------------|-------------|-------------|-------------|
| Dimensions | See page 92 | See page 92 | See page 92 |

Connections

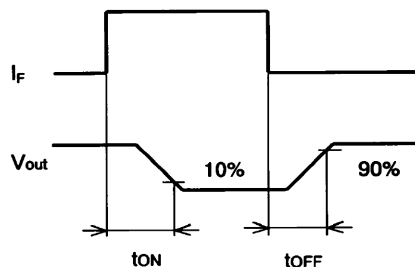
G3VM-2, 2L



G3VM-2, 2L, 351A



Timing Chart



G3VM-353A, -401A, -61A

Maximum Rating

| Parameter | | Comments and conditions | | G3VM-353A | G3VM-401A | G3VM-61A |
|--------------------------------|--------------------------------|---------------------------------------|---------|---------------------------------------|---------------------------------------|---------------------------------------|
| Contact form/no. of terminals | | — | | 1 Form B/4 pins | 1 Form A/4 pins | 1 Form A/4 pins |
| Input (LED) | LED forward current | I_F | Typical | 50 mA | 50 mA | 50 mA |
| | | I_{FP} (100 μ s pulse, 100 pps) | Max. | 1 A | 1 A | 1 A |
| | Forward current derating | $T_a \geq 25^\circ\text{C}$ | | -0.5 mA/ $^\circ\text{C}$ | -0.5 mA/ $^\circ\text{C}$ | -0.5 mA/ $^\circ\text{C}$ |
| | Reverse voltage | V_R | Max. | 5 V | 5 V | 5 V |
| Junction temperature (T_J) | | | | 125 $^\circ\text{C}$ | 125 $^\circ\text{C}$ | 125 $^\circ\text{C}$ |
| Output (Detector) | Output voltage strength | V_{OFF} | | 350 V | 400 V | 60 V |
| | Continuous load current | I_O | | 150 mA | 120 mA | 500 mA |
| | ON-state current derating | $T_a \geq 25^\circ\text{C}$ | | -1.5 mA/ $^\circ\text{C}$ | -1.2 mA/ $^\circ\text{C}$ | -5.0 mA/ $^\circ\text{C}$ |
| | Junction temperature (T_J) | | | | 125 $^\circ\text{C}$ | 125 $^\circ\text{C}$ |
| Dielectric strength | | $V_{I/O}$ for 1 minute min. | | 2500 VAC | 2500 VAC | 2500 VAC |
| Temperature | Ambient | T_a with no icing | | -40 $^\circ$ to +85 $^\circ\text{C}$ | -40 $^\circ$ to +85 $^\circ\text{C}$ | -40 $^\circ$ to +85 $^\circ\text{C}$ |
| | Storage | T_{stg} with no icing | | -55 $^\circ$ to +125 $^\circ\text{C}$ | -55 $^\circ$ to +125 $^\circ\text{C}$ | -55 $^\circ$ to +125 $^\circ\text{C}$ |

Electrical Characteristics

| Parameter | | Comments and conditions | | G3VM-353A | G3VM-401A | G3VM-61A | |
|----------------------------------|---|-------------------------------|---------|-------------|-----------------|-------------------------------|----------------------------|
| Input | LED forward voltage (V_F) | $I_F=10$ mA | Min. | 1.0 V | 1.0 V | 1.0 V | |
| | | | Typical | 1.15 V | 1.15 V | 1.15 V | |
| | | | Max. | 1.3 V | 1.3 V | 1.3 V | |
| | Reverse current | I_R | Max. | 10 μ A | 10 μ A | 10 μ A | |
| | Reverse voltage | V_R | Max. | 5 V | 5 V | 5 V | |
| | Capacitance (C_T) | $V = 0$; freq. = 1 MHz | | Typical | 30 pF | 30 pF | 30 pF |
| Keep ON LED current (I_{FT}) | $I_O = 120$ mA | | Typical | 1 mA | 1 mA | 1 mA | |
| | | | Max. | 3 mA | 3 mA | 3 mA | |
| | | | | | | | |
| Output | ON-resistance (R_{ON}) | $I_{ON}=150$ mA $I_F=5$ mA | Typical | 15 Ω | 18 Ω | 1 Ω ($I_{ON}=500$ mA) | |
| | | | Max. | 25 Ω | 35 Ω | 2 Ω ($I_{ON}=500$ mA) | |
| | OFF-state leakage current (I_{LEAK}) | At V_{OFF} | | Max. | 1.0 μ A | 1.0 μ A | 1.0 μ A |
| Limit current (I_{LIM}) | $I_F = 5$ mA, $V_{DD} = 5$ V, $t = 5$ ms | | Min. | — | — | — | |
| | | | Max. | — | — | — | |
| Transfer characteristics | I/O capacitance | $(C_{I/O})$ | | Typical | 0.8 pF | 0.8 pF | 0.8 pF |
| | I/O resistance | $(R_{I/O})$ | | Min. | 1000 M Ω | 1000 M Ω | 1000 M Ω |
| | Operate time | (t_{ON}) | | Max. | 1.0 ms | 1.0 ms | 1.0 ms ($I_F = 10$ mA) |
| | Release time | (t_{OFF}) | | Max. | 3.0 ms | 1.0 ms | 1.0 ms ($I_F = 10$ mA) |

Optimum Operating Conditions

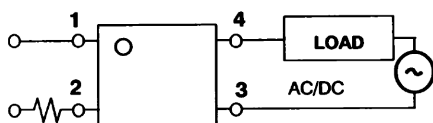
| Parameter | | Comments and conditions | | G3VM-353A | G3VM-401A | G3VM-61A |
|-----------------------------|-------|-------------------------|---------|-------------------------------------|-------------------------------------|-------------------------------------|
| Output voltage strength | | V_{DD} | Max. | 280 V | 320 V | 48 V |
| Operate LED forward current | I_F | | Min. | 5 mA | 5 mA | 5 mA |
| | | | Typical | — | 7.5 mA | 7.5 mA |
| | | | Max. | 25 mA | 25 mA | 25 mA |
| Continuous load current | | I_O | Max. | 150 mA | 100 mA | 400 mA |
| Ambient temperature | | T_A | | -20 $^\circ$ to 65 $^\circ\text{C}$ | -20 $^\circ$ to 65 $^\circ\text{C}$ | -20 $^\circ$ to 65 $^\circ\text{C}$ |

Dimensions

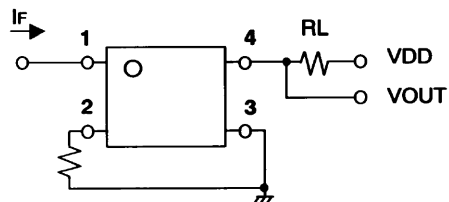
| Item | G3VM-353A | G3VM-401A | G3VM-61A |
|------------|-------------|-------------|-------------|
| Dimensions | See page 92 | See page 92 | See page 92 |

Connections

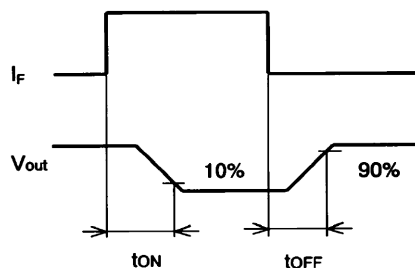
G3VM-353A



G3VM-353A, 401A, 61A



Timing Chart



G3VM-61A1, -351B, -353B

Maximum Rating

| Parameter | | Comments and conditions | | G3VM-61A1 | G3VM-351B | G3VM-353B |
|-------------------------------|--------------------------------|---------------------------------------|---------|---------------------------------------|--|--|
| Contact form/no. of terminals | | — | | 1 Form A/4 pins | 1 Form A/6 pins | 1 Form B/6 pins |
| Input (LED) | LED forward current | I_F | Typical | 50 mA | 50 mA | 50 mA |
| | | I_{FP} (100 μ s pulse, 100 pps) | Max. | 1 A | 1 A | 1 A |
| | Forward current derating | $T_a \geq 25^\circ\text{C}$ | | -0.5 mA/ $^\circ\text{C}$ | -0.5 mA/ $^\circ\text{C}$ | -0.5 mA/ $^\circ\text{C}$ |
| | Reverse voltage | V_R | Max. | 5 V | 5 V | 5 V |
| | Junction temperature (T_J) | | | 125 $^\circ\text{C}$ | 125 $^\circ\text{C}$ | 125 $^\circ\text{C}$ |
| Output (Detector) | Output voltage strength | V_{OFF} | | 60 V | 350 V | 350 V |
| | Continuous load current | I_O | | 500 mA | 120 mA (for A) 120 mA (for B) 240 mA (for C) | 150 mA (for A) 150 mA (for B) 300 mA (for C) |
| | ON-state current derating | $T_a \geq 25^\circ\text{C}$ | | -5.0 mA/ $^\circ\text{C}$ | -1.2 mA/ $^\circ\text{C}$ (for A) | -1.5 mA/ $^\circ\text{C}$ (for A) |
| | Junction temperature (T_J) | | | 125 $^\circ\text{C}$ | 125 $^\circ\text{C}$ | 125 $^\circ\text{C}$ |
| Dielectric strength | | V_{IO} for 1 minute min. | | 2500 VAC | 2500 VAC | 2500 VAC |
| Temperature | Ambient | T_a with no icing | | -40 $^\circ$ to +85 $^\circ\text{C}$ | -40 $^\circ$ to +85 $^\circ\text{C}$ | -40 $^\circ$ to +85 $^\circ\text{C}$ |
| | Storage | T_{stg} with no icing | | -55 $^\circ$ to +125 $^\circ\text{C}$ | -55 $^\circ$ to +125 $^\circ\text{C}$ | -55 $^\circ$ to +125 $^\circ\text{C}$ |

Electrical Characteristics

| Parameter | | Comments and conditions | | G3VM-61A1 | G3VM-351B | G3VM-353B |
|----------------------------------|--|---|-------------|-------------------------------|---|---|
| Input | LED forward voltage (V_F) | $I_F=10$ mA | Min. | 1.0 V | 1.0 V | 1.0 V |
| | | | Typical | 1.15 V | 1.15 V | 1.15 V |
| | | | Max. | 1.3 V | 1.3 V | 1.3 V |
| | Reverse current | I_R | Max. | 10 μ A | 10 μ A | 10 μ A |
| | Reverse voltage | V_R | Max. | 5 V | 5 V | 5 V |
| | Capacitance (C_T) | $V = 0$; freq. = 1 MHz | | Typical | 30 pF | 30 pF |
| Keep ON LED current (I_{FT}) | $I_O = 120$ mA | Typical | 1.6 mA | 1 mA | 1 mA | |
| | | Max. | 3 mA | 3 mA | 3 mA | |
| Output | ON-resistance (R_{ON}) | $I_F=5$ mA | Typical | 1 Ω ($I_{ON}=500$ mA) | 35 Ω ($I_{ON}=120$ mA) for connection A | 15 Ω ($I_{ON}=150$ mA) for connection A |
| | | | Max. | 2 Ω ($I_{ON}=500$ mA) | 50 Ω ($I_{ON}=120$ mA) for connection A | 25 Ω ($I_{ON}=150$ mA) for connection A |
| | | | Typical | — | 28 Ω ($I_{ON}=120$ mA) for connection B | 8 Ω ($I_{ON}=150$ mA) for connection B |
| | | | Max. | — | 40 Ω ($I_{ON}=120$ mA) for connection B | 14 Ω ($I_{ON}=150$ mA) for connection B |
| | | | Typical | — | 14 Ω ($I_{ON}=240$ mA) for connection C | 4 Ω ($I_{ON}=300$ mA) for connection C |
| | | | Max. | — | 20 Ω ($I_{ON}=240$ mA) for connection C | 7 Ω ($I_{ON}=300$ mA) for connection C |
| | OFF-state leakage current (I_{LEAK}) | At V_{OFF} | | Max. | 1.0 μ A | 1.0 μ A |
| | Limit current (I_{LIM}) | $I_F = 5$ mA, $V_{DD} = 5$ V, $t = 5$ ms | Min. | — | — | — |
| | | | Max. | — | — | — |
| | Transfer characteristics | I/O capacitance | $(C_{I/O})$ | Typical | 0.8 pF | 0.8 pF |
| I/O resistance | | $(R_{I/O})$ | Min. | 1000 M Ω | 1000 M Ω | 1000 M Ω |
| Operate time | | (t_{ON}) | Max. | 2.0 ms | 1.0 ms | 1.0 ms |
| Release time | | (t_{OFF}) | Max. | 0.5 ms | 1.0 ms | 3.0 ms |

Optimum Operating Conditions

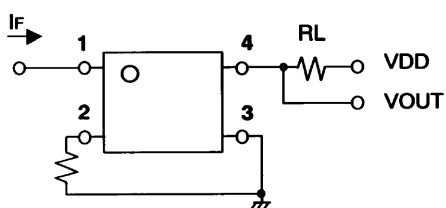
| Parameter | Comments and conditions | G3VM-61A1 | G3VM-351B | G3VM-353B |
|-----------------------------|-------------------------|----------------|--------------|--------------|
| Output voltage strength | V_{DD} | Max. 48 V | 280 V | 280 V |
| Operate LED forward current | I_F | Min. 5 mA | 5 mA | 5 mA |
| | | Typical 7.5 mA | 10 mA | — |
| | | Max. 25 mA | 25 mA | 25 mA |
| Continuous load current | I_O | Max. 500 mA | 100 mA | 150 mA |
| Ambient temperature | T_A | -20° to 65°C | -20° to 65°C | -20° to 65°C |

Dimensions

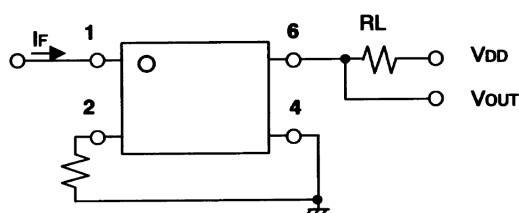
| Item | G3VM-61A1 | G3VM-351B | G3VM-353B |
|------------|-------------|-------------|-------------|
| Dimensions | See page 92 | See page 92 | See page 92 |

Connections

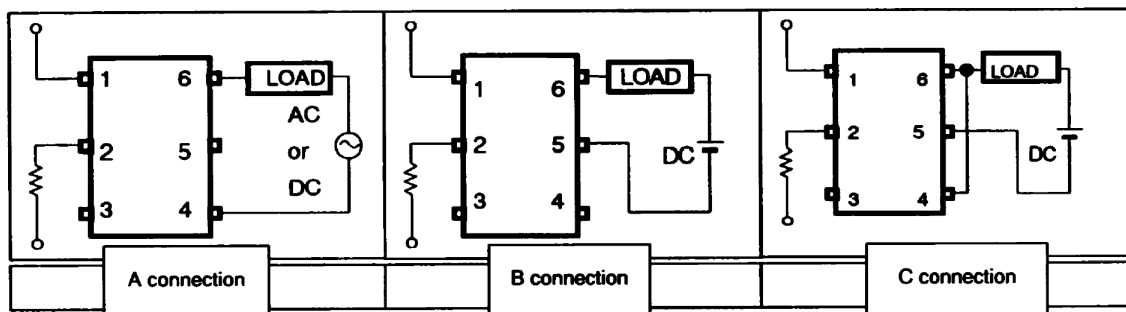
G3VM-61A1



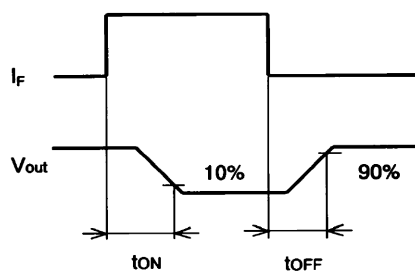
G3VM-351B, -353B



G3VM-351B, -353B



Timing Chart



G3VM-3, -3L, -401B

Maximum Rating

| Parameter | | Comments and conditions | | G3VM-3 | G3VM-3L | G3VM-401B |
|-------------------------------|--------------------------------|---------------------------------------|---------|--|---------------------------------------|--|
| Contact form/no. of terminals | | — | | 1 Form A/6 pins | 1 Form A/6 pins | 1 Form A/6 pins |
| Input (LED) | LED forward current | I_F | Typical | 50 mA | 50 mA | 50 mA |
| | | I_{FP} (100 μ s pulse, 100 pps) | Max. | 1 A | 1 A | 1 A |
| | Forward current derating | $T_a \geq 25^\circ\text{C}$ | | -0.5 mA/ $^\circ\text{C}$ | -0.5 mA/ $^\circ\text{C}$ | -0.5 mA/ $^\circ\text{C}$ |
| | Reverse voltage | V_R | Max. | 5 V | 5 V | 5 V |
| | Junction temperature (T_J) | | | 125 $^\circ\text{C}$ | 125 $^\circ\text{C}$ | 125 $^\circ\text{C}$ |
| Output (Detector) | Output voltage strength | V_{OFF} | | 60 V | 350 V | 400 V |
| | Continuous load current | I_O | | 120 mA (for A) 120 mA (for B) 160 mA (for C) | 120 mA | 120 mA (for A) 120 mA (for B) 240 mA (for C) |
| | ON-state current derating | $T_a \geq 25^\circ\text{C}$ | | -1.2 mA/ $^\circ\text{C}$ (for A) | -1.2 mA/ $^\circ\text{C}$ | -1.2 mA/ $^\circ\text{C}$ (for A) |
| | Junction temperature (T_J) | | | 125 $^\circ\text{C}$ | 125 $^\circ\text{C}$ | 125 $^\circ\text{C}$ |
| Dielectric strength | | V_{IO} for 1 minute min. | | 2500 VAC | 2500 VAC | 2500 VAC |
| Temperature | Ambient | T_a with no icing | | -20 $^\circ$ to +85 $^\circ\text{C}$ | -40 $^\circ$ to +85 $^\circ\text{C}$ | -40 $^\circ$ to +85 $^\circ\text{C}$ |
| | Storage | T_{stg} with no icing | | -55 $^\circ$ to +100 $^\circ\text{C}$ | -55 $^\circ$ to +125 $^\circ\text{C}$ | -55 $^\circ$ to +125 $^\circ\text{C}$ |

Electrical Characteristics

| Parameter | | Comments and conditions | | G3VM-3 | G3VM-3L | G3VM-401B | |
|----------------------------------|--|---|-------------|--|--------------------------------|--|-------------|
| Input | LED forward voltage (V_F) | $I_F=10$ mA | Min. | 1.0 V | 1.0 V | 1.0 V | |
| | | | Typical | 1.15 V | 1.15 V | 1.15 V | |
| | | | Max. | 1.3 V | 1.3 V | 1.3 V | |
| | Reverse current | I_R | Max. | 10 μ A | 10 μ A | 10 μ A | |
| | Reverse voltage | V_R | Max. | 5 V | 5 V | 5 V | |
| | Capacitance (C_T) | $V = 0$; freq. = 1 MHz | | Typical | 30 pF | 30 pF | 30 pF |
| Keep ON LED current (I_{FT}) | At I_O | | Typical | — | — | 1 mA | |
| | | | Max. | 3 mA | 3 mA | 3 mA | |
| Output | ON-resistance (R_{ON}) | $I_F=5$ mA | Typical | 22 Ω ($I_{ON}=120$ mA) for connection A | 22 Ω ($I_{ON}=120$ mA) | 17 Ω ($I_{ON}=120$ mA) for connection A | |
| | | | Max. | 35 Ω ($I_{ON}=120$ mA) for connection A | 35 Ω ($I_{ON}=120$ mA) | 35 Ω ($I_{ON}=120$ mA) for connection A | |
| | | | Typical | 16 Ω ($I_{ON}=120$ mA) for connection B | — | 11 Ω ($I_{ON}=120$ mA) for connection B | |
| | | | Max. | 23 Ω ($I_{ON}=120$ mA) for connection B | — | 20 Ω ($I_{ON}=120$ mA) for connection B | |
| | | | Typical | 8 Ω ($I_{ON}=160$ mA) for connection C | — | 6 Ω ($I_{ON}=240$ mA) for connection C | |
| | | | Max. | 12 Ω ($I_{ON}=160$ mA) for connection C | — | 10 Ω ($I_{ON}=240$ mA) for connection C | |
| | OFF-state leakage current (I_{LEAK}) | At V_{OFF} | | Max. | 1.0 μ A | 1.0 μ A | 1.0 μ A |
| | Limit current (I_{LIM}) | $I_F = 5$ mA, $V_{DD} = 5$ V, $t = 5$ ms | | Min. | — | 150 mA | — |
| | | | | Max. | — | 300 mA | — |
| | Transfer characteristics | I/O capacitance | $(C_{I/O})$ | | Typical | 0.8 pF | 0.8 pF |
| I/O resistance | | $(R_{I/O})$ | | Min. | 1000 M Ω | 1000 M Ω | |
| Operate time | | (t_{ON}) | | Max. | 1.0 ms | 1.0 ms | |
| Release time | | (t_{OFF}) | | Max. | 1.0 ms | 1.0 ms | |

Optimum Operating Conditions

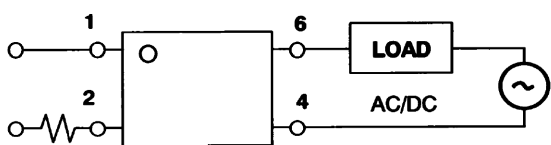
| Parameter | Comments and conditions | | G3VM-3 | G3VM-3L | G3VM-401B |
|-----------------------------|-------------------------|---------|--------------|--------------|--------------|
| Output voltage strength | V_{DD} | Max. | 280 V | 280 V | 320 V |
| Operate LED forward current | I_F | Min. | 5 mA | 5 mA | 5 mA |
| | | Typical | 7.5 mA | 10 mA | 7.5 mA |
| | | Max. | 25 mA | 25 mA | 25 mA |
| | | Max. | 25 mA | 25 mA | 25 mA |
| Continuous load current | I_O | Max. | 120 mA | 120 mA | 120 mA |
| Ambient temperature | T_A | | -20° to 65°C | -20° to 65°C | -20° to 65°C |

Dimensions

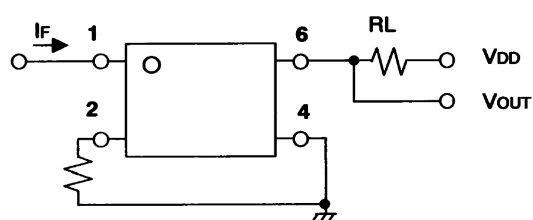
| Item | G3VM-3 | G3VM-3L | G3VM-401B |
|------------|-------------|-------------|-------------|
| Dimensions | See page 92 | See page 92 | See page 92 |

Connections

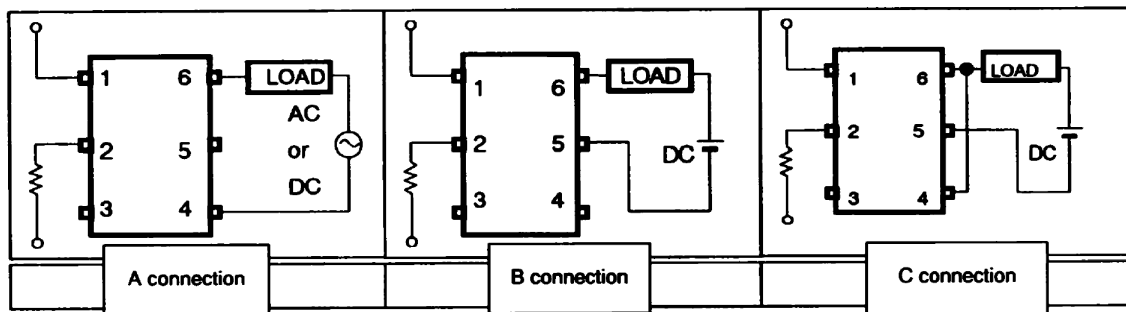
G3VM-3L



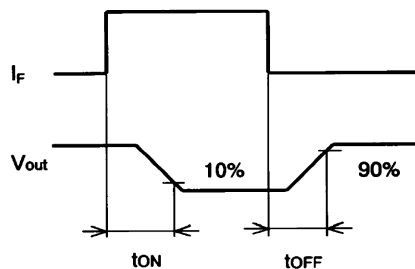
G3VM-3, -3L, -401B



G3VM-3, -401B



Timing Chart



G3VM-401BY, -601BY, -61B

Maximum Rating

| Parameter | | Comments and conditions | | G3VM-401BY | G3VM-601BY | G3VM-61B |
|-------------------------------|--------------------------------|---------------------------------------|---------|--|--|---|
| Contact form/no. of terminals | | — | | 1 Form A/6 pins | 1 Form A/6 pins | 1 Form A/6 pins |
| Input (LED) | LED forward current | I_F | Typical | 50 mA | 50 mA | 50 mA |
| | | I_{FP} (100 μ s pulse, 100 pps) | Max. | 1 A | 1 A | 1 A |
| | Forward current derating | $T_a \geq 25^\circ\text{C}$ | | -0.5 mA/ $^\circ\text{C}$ | -0.5 mA/ $^\circ\text{C}$ | -0.5 mA/ $^\circ\text{C}$ |
| | Reverse voltage | V_R | Max. | 5 V | 5 V | 5 V |
| | Junction temperature (T_J) | | | 125 $^\circ\text{C}$ | 125 $^\circ\text{C}$ | 125 $^\circ\text{C}$ |
| Output (Detector) | Output voltage strength | V_{OFF} | | 400 V | 600 V | 60 V |
| | Continuous load current | I_O | | 120 mA (for A) 120 mA (for B) 240 mA (for C) | 100 mA (for A) 100 mA (for B) 200 mA (for C) | 500 mA (for A) 500 mA (for B) 1000 mA (for C) |
| | ON-state current derating | $T_a \geq 25^\circ\text{C}$ | | -1.2 mA/ $^\circ\text{C}$ (for A) | -1.0 mA/ $^\circ\text{C}$ (for A) | -5.0 mA/ $^\circ\text{C}$ (for A) |
| | Junction temperature (T_J) | | | 125 $^\circ\text{C}$ | 125 $^\circ\text{C}$ | 125 $^\circ\text{C}$ |
| Dielectric strength | | $V_{I/O}$ for 1 minute min. | | 5000 VAC | 5000 VAC | 2500 VAC |
| Temperature | Ambient | T_a with no icing | | -40 $^\circ\text{C}$ to +85 $^\circ\text{C}$ | -40 $^\circ\text{C}$ to +85 $^\circ\text{C}$ | -40 $^\circ\text{C}$ to +85 $^\circ\text{C}$ |
| | Storage | T_{stg} with no icing | | -55 $^\circ\text{C}$ to +125 $^\circ\text{C}$ | -55 $^\circ\text{C}$ to +125 $^\circ\text{C}$ | -55 $^\circ\text{C}$ to +125 $^\circ\text{C}$ |

Electrical Characteristics

| Parameter | | Comments and conditions | | G3VM-401BY | G3VM-601BY | G3VM-61B | |
|----------------------------------|--|--|---------|---|---|---|-----------------|
| Input | LED forward voltage (V_F) | $I_F=10$ mA | Min. | 1.0 V | 1.0 V | 1.0 V | |
| | | | Typical | 1.15 V | 1.15 V | 1.15 V | |
| | | | Max. | 1.3 V | 1.3 V | 1.3 V | |
| | Reverse current | I_R | Max. | 10 μ A | 10 μ A | 10 μ A | |
| | Reverse voltage | V_R | Max. | 5 V | 5 V | 5 V | |
| | Capacitance (C_T) | $V = 0$; freq. = 1 MHz | | Typical | 30 pF | 30 pF | 30 pF |
| Keep ON LED current (I_{FT}) | At I_O | | Typical | — | | — | |
| | | | Max. | 3 mA | 5 mA | 3 mA | |
| Output | ON-resistance (R_{ON}) | $I_F=5$ mA | Typical | 17 Ω ($I_{ON}=120$ mA) for connection A | 30 Ω ($I_{ON}=100$ mA) for connection A | 1 Ω ($I_{ON}=500$ mA) for connection A | |
| | | | Max. | 35 Ω ($I_{ON}=120$ mA) for connection A | 45 Ω ($I_{ON}=100$ mA) for connection A | 2 Ω ($I_{ON}=500$ mA) for connection A | |
| | | | Typical | 11 Ω ($I_{ON}=120$ mA) for connection B | 23 Ω ($I_{ON}=100$ mA) for connection B | 0.5 Ω ($I_{ON}=500$ mA) for connection B | |
| | | | Max. | 20 Ω ($I_{ON}=120$ mA) for connection B | 35 Ω ($I_{ON}=100$ mA) for connection B | 1 Ω ($I_{ON}=500$ mA) for connection B | |
| | | | Typical | 6 Ω ($I_{ON}=240$ mA) for connection C | 12 Ω ($I_{ON}=200$ mA) for connection C | 0.3 Ω ($I_{ON}=1000$ mA) for connection C | |
| | | | Max. | 10 Ω ($I_{ON}=240$ mA) for connection C | 18 Ω ($I_{ON}=200$ mA) for connection C | — | |
| | OFF-state leakage current (I_{LEAK}) | At V_{OFF} | | Max. | 1.0 μ A | 1.0 μ A | 1.0 μ A |
| | Limit current (I_{LIM}) | $I_F = 5$ mA, $V_{DD} = 5$ V, $t = 5$ ms | | Min. | — | — | — |
| Transfer characteristics | I/O capacitance | $(C_{I/O})$ | | Typical | 0.8 pF | 0.8 pF | 0.8 pF |
| | I/O resistance | $(R_{I/O})$ | | Min. | 1000 M Ω | 1000 M Ω | 1000 M Ω |
| | Operate time | (t_{ON}) | | Max. | 1.0 ms | 1.5 ms | 1.0 ms |
| | Release time | (t_{OFF}) | | Max. | 1.0 ms | 1.0 ms | 1.0 ms |

Optimum Operating Conditions

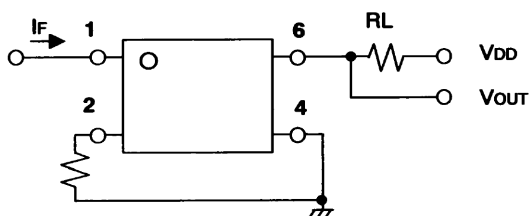
| Parameter | Comments and conditions | | G3VM-401BY | G3VM-601BY | G3VM-61B |
|-----------------------------|-------------------------|---------|--------------|--------------|--------------|
| Output voltage strength | V_{DD} | Max. | 320 V | 480 V | 48 V |
| Operate LED forward current | I_F | Min. | 5 mA | 7.5 mA | 5 mA |
| | | Typical | 7.5 mA | 15 mA | 7.5 mA |
| | | Max. | 25 mA | 25 mA | 25 mA |
| | | | | | |
| Continuous load current | I_O | Max. | 120 mA | 100 mA | 400 mA |
| Ambient temperature | T_A | | -20° to 65°C | -20° to 65°C | -20° to 65°C |

Dimensions

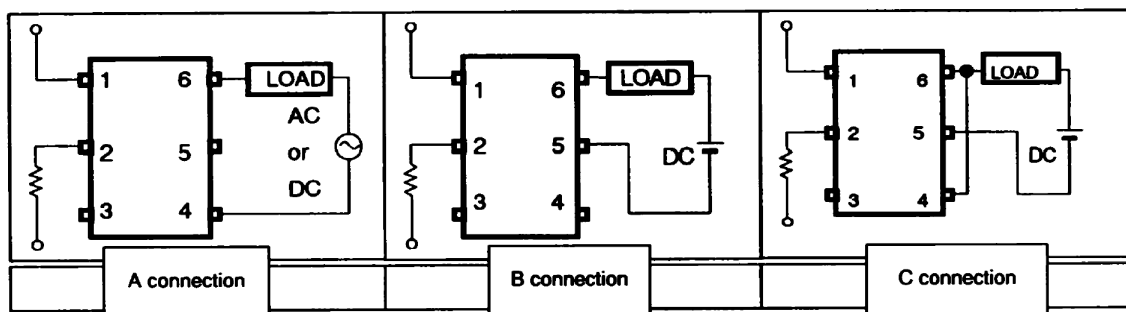
| Item | G3VM-401BY | G3VM-601BY | G3VM-61B |
|------------|-------------|-------------|-------------|
| Dimensions | See page 92 | See page 92 | See page 92 |

Connections

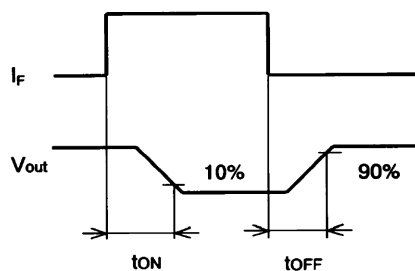
G3VM-401BY, -601BY, -61B



G3VM-401BY, -601BY, -61B



Timing Chart



G3VM-61B1, -V

Maximum Rating

| Parameter | | Comments and conditions | | G3VM-61B1 | G3VM-V |
|-------------------------------|--------------------------------|---------------------------------------|---------|---|--|
| Contact form/no. of terminals | | — | | 1 Form A/6 pins | 1 Form A/6 pins |
| Input (LED) | LED forward current | I_F | Typical | 50 mA | 50 mA |
| | | I_{FP} (100 μ s pulse, 100 pps) | Max. | 1 A | 1 A |
| | Forward current derating | $T_a \geq 25^\circ\text{C}$ | | -0.5 mA/ $^\circ\text{C}$ | -0.5 mA/ $^\circ\text{C}$ |
| | Reverse voltage | V_R | Max. | 5 V | 5 V |
| | Junction temperature (T_J) | | | 125 $^\circ\text{C}$ | 125 $^\circ\text{C}$ |
| Output (Detector) | Output voltage strength | V_{OFF} | | 60 V | 60 V |
| | Continuous load current | I_O | | 500 mA (for A) 500 mA (for B) 1000 mA (for C) | 300 mA (for A) 450 mA (for B) 600 mA (for C) |
| | ON-state current derating | $T_a \geq 25^\circ\text{C}$ | | -5.0 mA/ $^\circ\text{C}$ (for A) | -3.0 mA/ $^\circ\text{C}$ (for A) |
| | Junction temperature (T_J) | | | 125 $^\circ\text{C}$ | 125 $^\circ\text{C}$ |
| Dielectric strength | | V_{IO} for 1 minute min. | | 2500 VAC | 2500 VAC |
| Temperature | Ambient | T_a with no icing | | -40 $^\circ$ to +85 $^\circ\text{C}$ | -20 $^\circ$ to +85 $^\circ\text{C}$ |
| | Storage | T_{stg} with no icing | | -55 $^\circ$ to +125 $^\circ\text{C}$ | -55 $^\circ$ to +100 $^\circ\text{C}$ |

Electrical Characteristics

| Parameter | | Comments and conditions | | G3VM-61B1 | G3VM-V | |
|--------------|--|---|--------------|--|---|-----------------|
| Input | LED forward voltage (V_F) | $I_F=10$ mA | Min. | 1.0 V | 1.0 V | |
| | | | Typical | 1.15 V | 1.15 V | |
| | | | Max. | 1.3 V | 1.3 V | |
| | Reverse current | I_R | Max. | 10 μ A | 10 μ A | |
| | Reverse voltage | V_R | Max. | 5 V | 5 V | |
| | Capacitance (C_T) | $V = 0$; freq. = 1 MHz | Typical | 30 pF | 30 pF | |
| Output | ON-resistance (R_{ON}) | $I_F=5$ mA | Typical | 1 Ω ($I_{ON}=500$ mA) for connection A | 1.4 Ω ($I_{ON}=300$ mA) for connection A | |
| | | | Max. | 2 Ω ($I_{ON}=500$ mA) for connection A | 2 Ω ($I_{ON}=300$ mA) for connection A | |
| | | | Typical | 0.5 Ω ($I_{ON}=500$ mA) for connection B | 0.7 Ω ($I_{ON}=450$ mA) for connection B | |
| | | | Max. | 1 Ω ($I_{ON}=500$ mA) for connection B | 1 Ω ($I_{ON}=450$ mA) for connection B | |
| | | | Typical | 0.25 Ω ($I_{ON}=1000$ mA) for connection C | 0.35 Ω ($I_{ON}=600$ mA) for connection C | |
| | | | Max. | — | 0.5 Ω ($I_{ON}=600$ mA) for connection C | |
| | OFF-state leakage current (I_{LEAK}) | At V_{OFF} | Max. | 1.0 μ A | 1.0 μ A | |
| | Limit current (I_{LIM}) | $I_F = 5$ mA, $V_{DD} = 5$ V, $t = 5$ ms | Min. | — | — | |
| | | | Max. | — | — | |
| | Transfer characteristics | I/O capacitance | (C_{IO}) | Typical | 0.8 pF | 0.8 pF |
| | | I/O resistance | (R_{IO}) | Min. | 1000 M Ω | 1000 M Ω |
| | | Operate time | (t_{ON}) | Max. | 2.0 ms | 1.0 ms |
| Release time | | (t_{OFF}) | Max. | 0.5 ms | 1.0 ms | |

Optimum Operating Conditions

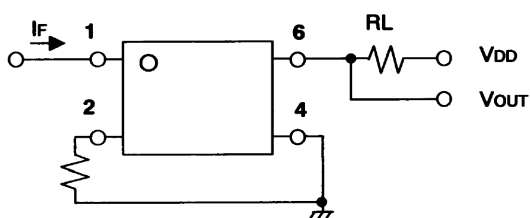
| Parameter | Comments and conditions | | G3VM-61B1 | G3VM-V |
|-----------------------------|-------------------------|---------|--------------|--------------|
| Output voltage strength | V_{DD} | Max. | 48 V | 48V |
| Operate LED forward current | I_F | Min. | 5 mA | 7.5 mA |
| | | Typical | 7.5 mA | 15 mA |
| | | Max. | 25 mA | 25 mA |
| | | Max. | 500 mA | 300 mA |
| Continuous load current | I_O | Max. | 500 mA | 300 mA |
| Ambient temperature | T_A | | -20° to 65°C | -20° to 80°C |

Dimensions

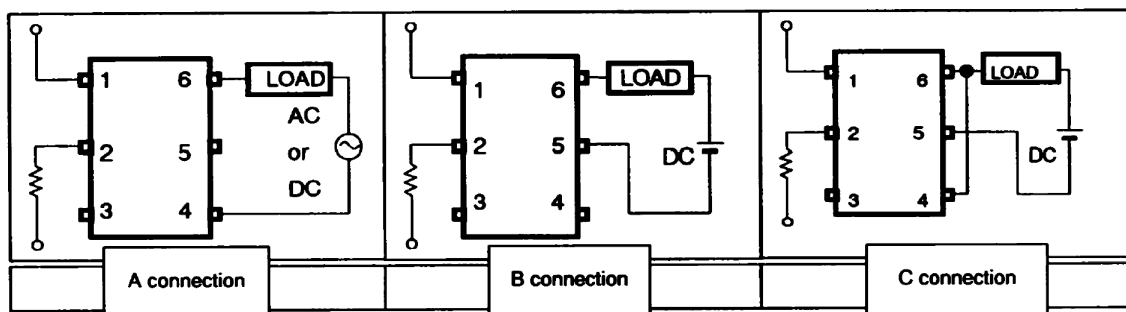
| Item | G3VM-61B1 | G3VM-V |
|------------|-------------|-------------|
| Dimensions | See page 92 | See page 92 |

Connections

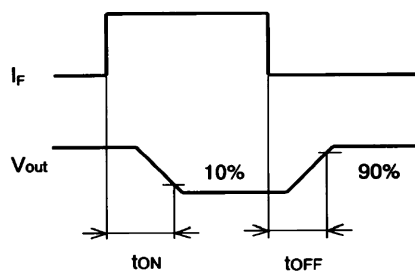
G3VM-61B1, -V



G3VM-61B1, -V



Timing Chart



G3VM-61CP

Maximum Rating

| Parameter | | Comments and conditions | | G3VM-61CP |
|-------------------------------|--------------------------------|---------------------------------------|---------|---------------------------------------|
| Contact form/no. of terminals | | — | | 1 Form A/8 pins |
| Input (LED) | LED forward current | I_F | Typical | 50 mA |
| | | I_{FP} (100 μ s pulse, 100 pps) | Max. | 1 A |
| | Forward current derating | $T_a \geq 25^\circ\text{C}$ | | -0.5 mA/ $^\circ\text{C}$ |
| | Reverse voltage | V_R | Max. | 6 V |
| | Junction temperature (T_J) | | | 125 $^\circ\text{C}$ |
| Output (Detector) | Output voltage strength | V_{OFF} | | 60 V |
| | Continuous load current | I_O | | 500 mA |
| | ON-state current derating | $T_a \geq 25^\circ\text{C}$ | | -5.0 mA/ $^\circ\text{C}$ |
| | Junction temperature (T_J) | | | 125 $^\circ\text{C}$ |
| Dielectric strength | | $V_{I/O}$ for 1 minute min. | | 2500 VAC |
| Temperature | Ambient | T_a with no icing | | -40 $^\circ$ to +85 $^\circ\text{C}$ |
| | Storage | Tstg with no icing | | -55 $^\circ$ to +125 $^\circ\text{C}$ |

Electrical Characteristics

| Parameter | | Comments and conditions | | G3VM-61CP |
|--------------------------|--|----------------------------|---------|---------------------------------|
| Input | LED forward voltage (V_F) | $I_F=10$ mA | Min. | 1.0 V |
| | | | Typical | 1.2 V |
| | | | Max. | 1.4 V |
| | Reverse current | I_R | Max. | 15 μ A |
| | Reverse voltage | V_R | Max. | 6 V |
| | Capacitance (C_T) | $V = 0$; freq. = 1 MHz | Typical | 15 pF |
| | Keep ON LED current (I_{FT}) | At I_O | Typical | — |
| Max. | | | 5 mA | |
| Output | ON-resistance (R_{ON}) | $I_F=5$ mA | Typical | 0.3 Ω ($I_{ON}=500$ mA) |
| | | | Max. | 0.6 Ω ($I_{ON}=500$ mA) |
| | | | Typical | — |
| | | | Max. | — |
| | | | Typical | — |
| | | | Max. | — |
| | OFF-state leakage current (I_{LEAK}) | At V_{OFF} | Max. | 1.0 μ A |
| | Capacitance | COFF | Typical | 200 pF |
| Max. | | | 500 pF | |
| Transfer characteristics | I/O capacitance | ($C_{I/O}$) | Typical | 0.8 pF |
| | I/O resistance | ($R_{I/O}$) | Min. | 1000 M Ω |
| | Operate time | (t_{ON}) | Max. | 2.0 ms |
| | Release time | (t_{OFF}) | Max. | 0.5 ms |

Optimum Operating Conditions

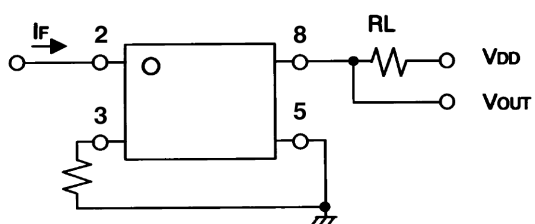
| Parameter | Comments and conditions | | G3VM-61CP |
|-----------------------------|-------------------------|---------|--------------|
| Output voltage strength | V_{DD} | Max. | 48 V |
| Operate LED forward current | I_F | Min. | 10 mA |
| | | Typical | — mA |
| | | Max. | 30 mA |
| Continuous load current | I_O | Max. | 500 mA |
| Ambient temperature | T_A | | -25° to 50°C |

Dimensions

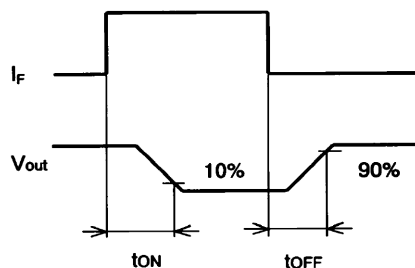
| Item | G3VM-61CP |
|------------|-------------|
| Dimensions | See page 93 |

Connections

G3VM-61CP



Timing Chart



G3VM-61CR, 355CR, 352C

Maximum Rating

| Parameter | | Comments and conditions | | G3VM-61CR | G3VM-355CR | G3VM-352C |
|-------------------------------|--------------------------------|--|---------|---------------------------------------|---------------------------------------|---------------------------------------|
| Contact form/no. of terminals | | — | | 1 Form A/8 pins | 1FormA+1FormB/ 8 pins | 2 Form A/8 pins |
| Input (LED) | LED forward current | I_F | Typical | 50 mA | 50 mA | 50 mA |
| | | I_{FP} (100 μ s pulse, 100 pps) | Max. | 1 A | 1 A | 1 A |
| | Forward current derating | $T_a \geq 25^\circ\text{C}$ | | -0.5 mA/ $^\circ\text{C}$ | -0.5 mA/ $^\circ\text{C}$ | -0.5 mA/ $^\circ\text{C}$ |
| | Reverse voltage | V_R | Max. | 6 V | 5 V | 5 V |
| | Junction temperature (T_J) | | | 125 $^\circ\text{C}$ | 125 $^\circ\text{C}$ | 125 $^\circ\text{C}$ |
| Output (Detector) | Output voltage strength | V_{OFF} | | 60 V | 350 V | 350 V |
| | Continuous load current | I_O | | 2000 mA | 120 mA | 120 mA |
| | ON-state current derating | $T_a \geq 25^\circ\text{C}$ | | -20 mA/ $^\circ\text{C}$ | -1.2 mA/ $^\circ\text{C}$ | -1.2 mA/ $^\circ\text{C}$ |
| | Junction temperature (T_J) | | | 125 $^\circ\text{C}$ | 125 $^\circ\text{C}$ | 125 $^\circ\text{C}$ |
| Dielectric strength | | V_{IO} for 1 minute min. | | 1500 VAC | 2500 VAC | 2500 VAC |
| Temperature | Ambient | T_a with no icing | | -20 $^\circ$ to +85 $^\circ\text{C}$ | -40 $^\circ$ to +85 $^\circ\text{C}$ | -40 $^\circ$ to +85 $^\circ\text{C}$ |
| | Storage | T_{stg} with no icing | | -55 $^\circ$ to +125 $^\circ\text{C}$ | -55 $^\circ$ to +125 $^\circ\text{C}$ | -55 $^\circ$ to +100 $^\circ\text{C}$ |

Electrical Characteristics

| Parameter | | Comments and conditions | | G3VM-61CR | G3VM-355CR | G3VM-352C |
|----------------------------------|--|----------------------------|---------------|-----------------|--------------------------------|--|
| Input | LED forward voltage (V_F) | $I_F=10$ mA | Min. | 1.0 V | 1.0 V | 1.0 V |
| | | | Typical | 1.2 V | 1.15 V | 1.15 V |
| | | | Max. | 1.4 V | 1.3 V | 1.3 V |
| | Reverse current | I_R | Max. | 10 μ A | 10 μ A | 10 μ A |
| | Reverse voltage | V_R | Max. | 6 V | 5 V | 5 V |
| | Capacitance (C_T) | $V = 0$; freq. = 1 MHz | | Typical | 15 pF | 30 pF |
| Keep ON LED current (I_{FT}) | At I_O | Typical | — | 1 mA | 1 mA | |
| | | Max. | 5 mA | 3 mA | 3 mA | |
| Output | ON-resistance (R_{ON}) | $I_F=5$ mA (1a) | Typical | — | 15 Ω ($I_{ON}=120$ mA) | 35 Ω (25 Ω , $t \leq 1$ s) |
| | | | Max. | 0.12 Ω | 25 Ω ($I_{ON}=120$ mA) | 50 Ω (35 Ω , $t \leq 1$ s) |
| | | $I_F=0$ mA (1b) | Typical | — | 15 Ω ($I_{ON}=120$ mA) | — |
| | | | Max. | — | 25 Ω ($I_{ON}=120$ mA) | — |
| | | | Typical | — | — | — |
| | | | Max. | — | — | — |
| | OFF-state leakage current (I_{LEAK}) | At V_{OFF} | Max. | 4.0 μ A | 1.0 μ A | 1.0 μ A |
| | Capacitance | COFF | Typical | — | — | — pF |
| | | | Max. | — | — | — pF |
| | Transfer characteristics | I/O capacitance | ($C_{I/O}$) | Typical | 0.8 pF | 0.8 pF |
| I/O resistance | | ($R_{I/O}$) | Min. | 1000 M Ω | 1000 M Ω | 1000 M Ω |
| Operate time | | (t_{ON}) | Max. | 5.0 ms | 1.0 ms | 1.0 ms |
| Release time | | (t_{OFF}) | Max. | 3.5 ms | 3.0 ms | 1.0 ms |

Optimum Operating Conditions

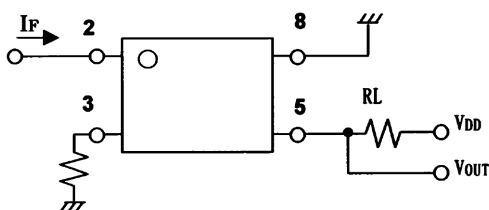
| Parameter | Comments and conditions | | G3VM-61CR | G3VM-355CR | G3VM-352C |
|-----------------------------|-------------------------|---------|--------------|--------------|--------------|
| Output voltage strength | V_{DD} | Max. | 48 V | 280V | 280 V |
| Operate LED forward current | I_F | Min. | 10 mA | 5 mA | 5 mA |
| | | Typical | — mA | — | 7.5 mA |
| | | Max. | 30 mA | 25 mA | 25 mA |
| Continuous load current | I_O | Max. | 2000 mA | 120 mA | 100 mA |
| Ambient temperature | T_A | | -25° to 50°C | -20° to 65°C | -20° to 65°C |

Dimensions

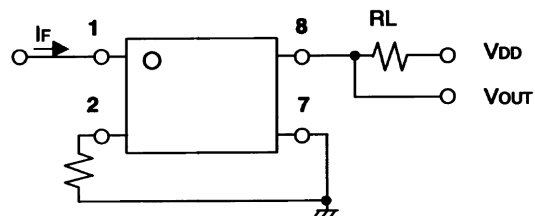
| Item | G3VM-61CR | G3VM-355CR | G3VM-352C |
|------------|-------------|-------------|-------------|
| Dimensions | See page 93 | See page 93 | See page 93 |

Connections

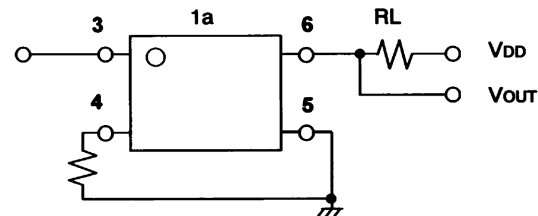
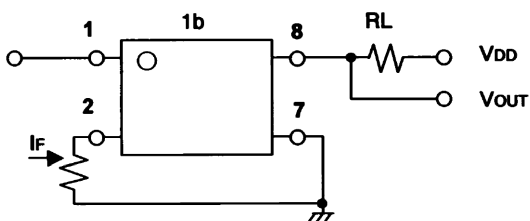
G3VM-61CR



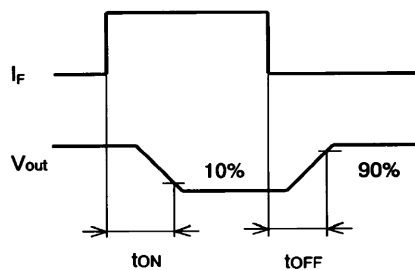
G3VM-352C



G3VM-355CR



Timing Chart



G3VM-402C, -62C1, -W

Maximum Rating

| Parameter | | Comments and conditions | | G3VM-402C | G3VM-62C1 | G3VM-W |
|-------------------------------|--------------------------------|---------------------------------------|---------|---------------------------------------|---------------------------------------|---------------------------------------|
| Contact form/no. of terminals | | — | | 2 Form A/8 pins | 2 Form A/8 pins | 2 Form A/8 pins |
| Input (LED) | LED forward current | I_F | Typical | 50 mA | 50 mA | 50 mA |
| | | I_{FP} (100 μ s pulse, 100 pps) | Max. | 1 A | 1 A | 1 A |
| | Forward current derating | $T_a \geq 25^\circ\text{C}$ | | -0.5 mA/ $^\circ\text{C}$ | -0.5 mA/ $^\circ\text{C}$ | -0.5 mA/ $^\circ\text{C}$ |
| | Reverse voltage | V_R | Max. | 5 V | 5 V | 5 V |
| | Junction temperature (T_J) | | | 125 $^\circ\text{C}$ | 125 $^\circ\text{C}$ | 125 $^\circ\text{C}$ |
| Output (Detector) | Output voltage strength | V_{OFF} | | 400 V | 60 V | 350 V |
| | Continuous load current | I_O | | 120 mA | 500 mA | 120 mA |
| | ON-state current derating | $T_a \geq 25^\circ\text{C}$ | | -1.2 mA/ $^\circ\text{C}$ | -5.0 mA/ $^\circ\text{C}$ | -1.2 mA/ $^\circ\text{C}$ |
| | Junction temperature (T_J) | | | 125 $^\circ\text{C}$ | 125 $^\circ\text{C}$ | 125 $^\circ\text{C}$ |
| Dielectric strength | | $V_{I/O}$ for 1 minute min. | | 2500 VAC | 2500 VAC | 2500 VAC |
| Temperature | Ambient | T_a with no icing | | -40 $^\circ$ to +85 $^\circ\text{C}$ | -40 $^\circ$ to +85 $^\circ\text{C}$ | -20 $^\circ$ to +85 $^\circ\text{C}$ |
| | Storage | T_{stg} with no icing | | -55 $^\circ$ to +125 $^\circ\text{C}$ | -55 $^\circ$ to +125 $^\circ\text{C}$ | -55 $^\circ$ to +100 $^\circ\text{C}$ |

Electrical Characteristics

| Parameter | | Comments and conditions | | G3VM-402C | G3VM-62C1 | G3VM-W |
|----------------------------------|--|----------------------------|---------------|--------------------------------|---------------------------------|--------------------------------|
| Input | LED forward voltage (V_F) | $I_F=10$ mA | Min. | 1.0 V | 1.0 V | 1.0 V |
| | | | Typical | 1.15 V | 1.15 V | 1.15 V |
| | | | Max. | 1.3 V | 1.3 V | 1.3 V |
| | Reverse current | I_R | Max. | 10 μ A | 10 μ A | 10 μ A |
| | Reverse voltage | V_R | Max. | 5 V | 5 V | 5 V |
| | Capacitance (C_T) | $V = 0$; freq. = 1 MHz | | Typical | 30 pF | 30 pF |
| Keep ON LED current (I_{FT}) | At I_O | Typical | 1 | 1.6 mA | 2 mA | |
| | | Max. | 3 mA | 3 mA | 3 mA | |
| Output | ON-resistance (R_{ON}) | $I_F=5$ mA (1a) | Typical | 18 Ω ($I_{ON}=120$ mA) | 1.0 Ω ($I_{ON}=500$ mA) | 22 Ω ($I_{ON}=120$ mA) |
| | | | Max. | 35 Ω ($I_{ON}=120$ mA) | 2.0 Ω ($I_{ON}=500$ mA) | 35 Ω ($I_{ON}=120$ mA) |
| | | $I_F=0$ mA (1b) | Typical | — | — | — |
| | | | Max. | — | — | — |
| | | | Typical | — | — | — |
| | | | Max. | — | — | — |
| | OFF-state leakage current (I_{LEAK}) | At V_{OFF} | Max. | 1.0 μ A | 1.0 μ A | 1.0 μ A |
| | Capacitance | COFF | Typical | — | — | — |
| | | | Max. | — | — | — |
| | Transfer characteristics | I/O capacitance | ($C_{I/O}$) | Typical | 0.8 pF | 0.8 pF |
| I/O resistance | | ($R_{I/O}$) | Min. | 1000 M Ω | 1000 M Ω | 1000 M Ω |
| Operate time | | (t_{ON}) | Max. | 1.0 ms | 2.0 ms | 1.0 ms |
| Release time | | (t_{OFF}) | Max. | 1.0 ms | 0.5 ms | 1.0 ms |

Optimum Operating Conditions

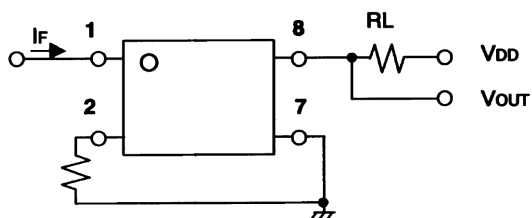
| Parameter | Comments and conditions | | G3VM-402C | G3VM-62C1 | G3VM-W |
|-----------------------------|-------------------------|---------|--------------|--------------|--------------|
| Output voltage strength | V_{DD} | Max. | 320 V | 48 V | 280 V |
| Operate LED forward current | I_F | Min. | 5 mA | 5 mA | 5 mA |
| | | Typical | 7.5 mA | 7.5 | 7.5 mA |
| | | Max. | 25 mA | 25 mA | 25 mA |
| Continuous load current | I_O | Max. | 100 mA | 500 mA | 100 mA |
| Ambient temperature | T_A | | -20° to 65°C | -20° to 65°C | -20° to 65°C |

Dimensions

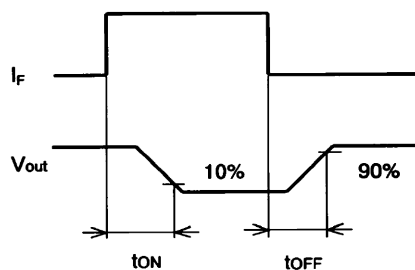
| Item | G3VM-402C | G3VM-62C1 | G3VM-W |
|------------|-------------|-------------|-------------|
| Dimensions | See page 93 | See page 93 | See page 93 |

Connections

G3VM-402C, -62C1, -W



Timing Chart



G3VM-WL, -354C

Maximum Rating

| Parameter | | Comments and conditions | | G3VM-WL | G3VM-354C |
|-------------------------------|--------------------------------|---------------------------------------|---------|---|---|
| Contact form/no. of terminals | | — | | 2 Form A/8 pins | 2 Form B/8 pins |
| Input (LED) | LED forward current | I_F | Typical | 50 mA | 50 mA |
| | | I_{FP} (100 μ s pulse, 100 pps) | Max. | 1 A | 1 A |
| | Forward current derating | $T_a \geq 25^\circ\text{C}$ | | -0.5 mA/ $^\circ\text{C}$ | -0.5 mA/ $^\circ\text{C}$ |
| | Reverse voltage | V_R | Max. | 6 V | 5 V |
| | Junction temperature (T_J) | | | 125 $^\circ\text{C}$ | 125 $^\circ\text{C}$ |
| Output (Detector) | Output voltage strength | V_{OFF} | | 350 V | 350 V |
| | Continuous load current | I_O | | 120 mA | 150 mA |
| | ON-state current derating | $T_a \geq 25^\circ\text{C}$ | | -1.2 mA/ $^\circ\text{C}$ | -1.5 mA/ $^\circ\text{C}$ |
| | Junction temperature (T_J) | | | 125 $^\circ\text{C}$ | 125 $^\circ\text{C}$ |
| Dielectric strength | | $V_{I/O}$ for 1 minute min. | | 2500 VAC | 2500 VAC |
| Temperature | Ambient | T_a with no icing | | -40 $^\circ\text{C}$ to +85 $^\circ\text{C}$ | -40 $^\circ\text{C}$ to +85 $^\circ\text{C}$ |
| | Storage | T_{stg} with no icing | | -55 $^\circ\text{C}$ to +125 $^\circ\text{C}$ | -55 $^\circ\text{C}$ to +125 $^\circ\text{C}$ |

Electrical Characteristics

| Parameter | | Comments and conditions | | G3VM-WL | G3VM-354C |
|----------------------------------|--|----------------------------|---------|--------------------------------|--------------------------------|
| Input | LED forward voltage (V_F) | $I_F=10$ mA | Min. | 1.0 V | 1.0 V |
| | | | Typical | 1.15 V | 1.15 V |
| | | | Max. | 1.3 V | 1.3 V |
| | Reverse current | I_R | Max. | 10 μ A | 10 μ A |
| | Reverse voltage | V_R | Max. | 6 V | 5 V |
| | Capacitance (C_T) | $V = 0$; freq. = 1 MHz | Typical | 30 pF | 30 pF |
| Keep ON LED current (I_{FT}) | At I_O | Typical | 1 | 1 mA | |
| | | Max. | 3 mA | 3 mA | |
| Output | ON-resistance (R_{ON}) | $I_F=5$ mA | Typical | 22 Ω ($I_{ON}=120$ mA) | 15 Ω ($I_{ON}=150$ mA) |
| | | | Max. | 35 Ω ($I_{ON}=120$ mA) | 25 Ω ($I_{ON}=150$ mA) |
| | | | Typical | — | — |
| | | | Max. | — | — |
| | | | Typical | — | — |
| | | | Max. | — | — |
| | OFF-state leakage current (I_{LEAK}) | At V_{OFF} | Max. | 1.0 μ A | 1.0 μ A |
| | Limit current | I_{LIM} | Min. | 150 mA | — |
| Max. | | | 300 mA | — | |
| Transfer characteristics | I/O capacitance | ($C_{I/O}$) | Typical | 0.8 pF | 0.8 pF |
| | I/O resistance | ($R_{I/O}$) | Min. | 1000 M Ω | 1000 M Ω |
| | Operate time | (t_{ON}) | Max. | 1.0 ms | 1.0 ms |
| | Release time | (t_{OFF}) | Max. | 1.0 ms | 3.0 ms |

Optimum Operating Conditions

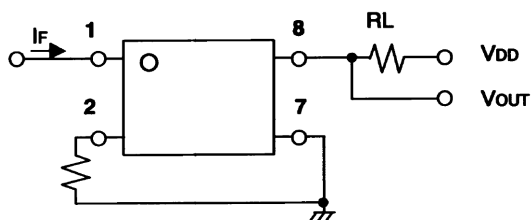
| Parameter | Comments and conditions | G3VM-WL | G3VM-354C |
|-----------------------------|-------------------------|----------------|--------------|
| Output voltage strength | V_{DD} | Max. 280 V | 280 V |
| Operate LED forward current | I_F | Min. 5 mA | 5 mA |
| | | Typical 7.5 mA | — |
| | | Max. 25 mA | 25 mA |
| Continuous load current | I_O | Max. 100 mA | 150 mA |
| Ambient temperature | T_A | -20° to 65°C | -20° to 65°C |

Dimensions

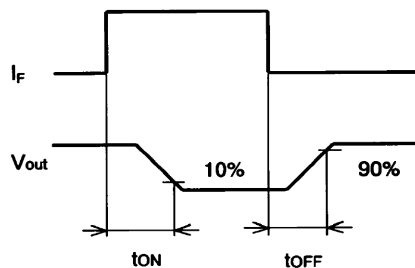
| Item | G3VM-WL | G3VM-354C |
|------------|-------------|-------------|
| Dimensions | See page 93 | See page 93 |

Connections

G3VM-WL, -354C



Timing Chart



G3VM-2F(TR), -2FL(TR), -351D(TR)

Maximum Rating

| Parameter | | Comments and conditions | | G3VM-2F, G3VM-2F(TR) | G3VM-2FL, G3VM-2FL(TR) | G3VM-351D, G3VM-351D(TR) |
|-------------------------------|--------------------------------|---------------------------------------|---------|---------------------------------------|---------------------------------------|---------------------------------------|
| Contact form/no. of terminals | | — | | 1 Form A/4 pins | 1 Form A/4 pins | 1 Form A/4 pins |
| Input (LED) | LED forward current | I_F | Typical | 50 mA | 50 mA | 50 mA |
| | | I_{FP} (100 μ s pulse, 100 pps) | Max. | 1 A | 1 A | 1 A |
| | Forward current derating | $T_a \geq 25^\circ\text{C}$ | | -0.5 mA/ $^\circ\text{C}$ | -0.5 mA/ $^\circ\text{C}$ | -0.5 mA/ $^\circ\text{C}$ |
| | Reverse voltage | V_R | Max. | 5 V | 6 V | 5 V |
| | Junction temperature (T_J) | | | 125 $^\circ\text{C}$ | 125 $^\circ\text{C}$ | 125 $^\circ\text{C}$ |
| Output (Detector) | Output voltage strength | V_{OFF} | | 350 V | 350 V | 350 V |
| | Continuous load current | I_O | | 120 mA | 120 mA | 120 mA |
| | ON-state current derating | $T_a \geq 25^\circ\text{C}$ | | -1.2 mA/ $^\circ\text{C}$ | -1.2 mA/ $^\circ\text{C}$ | -1.2 mA/ $^\circ\text{C}$ |
| | Junction temperature (T_J) | | | 125 $^\circ\text{C}$ | 125 $^\circ\text{C}$ | 125 $^\circ\text{C}$ |
| Dielectric strength | | $V_{I/O}$ for 1 minute min. | | 2500 VAC | 2500 VAC | 2500 VAC |
| Temperature | Ambient | T_a with no icing | | -20 $^\circ$ to +85 $^\circ\text{C}$ | -40 $^\circ$ to +85 $^\circ\text{C}$ | -40 $^\circ$ to +85 $^\circ\text{C}$ |
| | Storage | T_{stg} with no icing | | -55 $^\circ$ to +100 $^\circ\text{C}$ | -55 $^\circ$ to +125 $^\circ\text{C}$ | -55 $^\circ$ to +100 $^\circ\text{C}$ |

Electrical Characteristics

| Parameter | | Comments and conditions | | G3VM-2F, G3VM-2F(TR) | G3VM-2FL, G3VM-2FL(TR) | G3VM-351D, G3VM-351D(TR) |
|----------------------------------|---|-------------------------------|---------|-------------------------|---------------------------|---------------------------------------|
| Input | LED forward voltage (V_F) | $I_F=10$ mA | Min. | 1.0 V | 1.0 V | 1.0 V |
| | | | Typical | 1.15 V | 1.15 V | 1.15 V |
| | | | Max. | 1.3 V | 1.3 V | 1.3 V |
| | Reverse current | I_R | Max. | 10 μ A | 10 μ A | 10 μ A |
| | Reverse voltage | V_R | Max. | 5 V | 6 V | 5 V |
| | Capacitance (C_T) | $V = 0$; freq. = 1 MHz | | Typical | 30 pF | 30 pF |
| Keep ON LED current (I_{FT}) | I_O | | Typical | 2 mA ($I_O = 100$ mA) | 1 mA ($I_O = 120$ mA) | 1 mA ($I_O = 120$ mA) |
| | | | Max. | 3 mA ($I_O = 100$ mA) | 3 mA ($I_O = 120$ mA) | 3 mA ($I_O = 120$ mA) |
| Output | ON-resistance (R_{ON}) | $I_{ON}=120$ mA $I_F=5$ mA | Typical | 22 Ω | 22 Ω | 35 Ω (25 Ω , $t < 1$ s) |
| | | | Max. | 35 Ω | 35 Ω | 50 Ω (35 Ω , $t < 1$ s) |
| | OFF-state leakage current (I_{LEAK}) | $V_{OFF} = 350$ V | | Max. | 1.0 μ A | 1.0 μ A |
| Limit current (I_{LIM}) | $I_F = 5$ mA, $V_{DD} = 5$ V, $t = 5$ ms | | Min. | — | 150 mA | — |
| | | | Max. | — | 300 mA | — |
| Transfer characteristics | I/O capacitance | $(C_{I/O})$ | | Typical | 0.8 pF | 0.8 pF |
| | I/O resistance | $(R_{I/O})$ | | Min. | 1000 M Ω | 1000 M Ω |
| | Operate time | (t_{ON}) | | Max. | 1.0 ms | 1.0 ms |
| | Release time | (t_{OFF}) | | Max. | 1.0 ms | 1.0 ms |

Optimum Operating Conditions

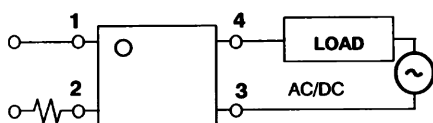
| Parameter | Comments and conditions | | G3VM-2F, G3VM-2F(TR) | G3VM-2FL, G3VM-2FL(TR) | G3VM-351D, G3VM-351D(TR) |
|-----------------------------|-------------------------|---------|-------------------------|---------------------------|-----------------------------|
| Output voltage strength | V_{DD} | Max. | 280 V | 280 V | 280 V |
| Operate LED forward current | I_F | Min. | 5 mA | 5 mA | 5 mA |
| | | Typical | 7.5 mA | 7.5 mA | 7.5 mA |
| | | Max. | 25 mA | 25 mA | 25 mA |
| Continuous load current | I_O | Max. | 100 mA | 100 mA | 100 mA |
| Ambient temperature | T_A | | -20° to 65°C | -20° to 65°C | -20° to 65°C |

Dimensions

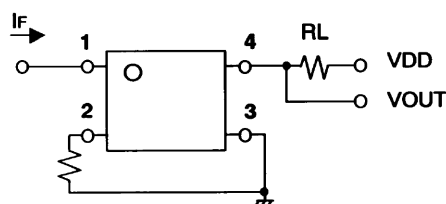
| Item | G3VM-2F, G3VM-2F(TR) | G3VM-2FL, G3VM-2FL(TR) | G3VM-351D, G3VM-351D(TR) |
|------------|-------------------------|---------------------------|-----------------------------|
| Dimensions | See pages 94, 98 | See pages 94, 98 | See pages 94, 98 |

Connections

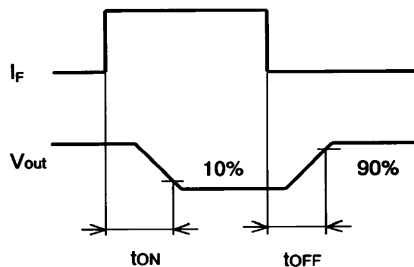
G3VM-2F, -2F(TR), -2FL, -2FL(TR)



G3VM-2F, -2F(TR), -2FL, -2FL(TR), -351D, -351D(TR)



Timing Chart



G3VM-353D(TR), -401D(TR), -61D(TR)

Maximum Rating

| Parameter | | Comments and conditions | | G3VM-353D, G3VM-353D(TR) | G3VM-401D, G3VM-401D(TR) | G3VM-61D, G3VM-61D(TR) |
|-------------------------------|--------------------------------|---------------------------------------|---------|---------------------------------------|---------------------------------------|---------------------------------------|
| Contact form/no. of terminals | | — | | 1 Form B/4 pins | 1 Form A/4 pins | 1 Form A/4 pins |
| Input (LED) | LED forward current | I_F | Typical | 50 mA | 50 mA | 50 mA |
| | | I_{FP} (100 μ s pulse, 100 pps) | Max. | 1 A | 1 A | 1 A |
| | Forward current derating | $T_a \geq 25^\circ\text{C}$ | | -0.5 mA/ $^\circ\text{C}$ | -0.5 mA/ $^\circ\text{C}$ | -0.5 mA/ $^\circ\text{C}$ |
| | Reverse voltage | V_R | Max. | 5 V | 5 V | 5 V |
| | Junction temperature (T_J) | | | 125 $^\circ\text{C}$ | 125 $^\circ\text{C}$ | 125 $^\circ\text{C}$ |
| Output (Detector) | Output voltage strength | V_{OFF} | | 350 V | 400 V | 60 V |
| | Continuous load current | I_O | | 150 mA | 120 mA | 500 mA |
| | ON-state current derating | $T_a \geq 25^\circ\text{C}$ | | -1.5 mA/ $^\circ\text{C}$ | -1.2 mA/ $^\circ\text{C}$ | -5.0 mA/ $^\circ\text{C}$ |
| | Junction temperature (T_J) | | | 125 $^\circ\text{C}$ | 125 $^\circ\text{C}$ | 125 $^\circ\text{C}$ |
| Dielectric strength | | V_{IO} for 1 minute min. | | 2500 VAC | 2500 VAC | 2500 VAC |
| Temperature | Ambient | T_a with no icing | | -40 $^\circ$ to +85 $^\circ\text{C}$ | -40 $^\circ$ to +85 $^\circ\text{C}$ | -40 $^\circ$ to +85 $^\circ\text{C}$ |
| | Storage | T_{stg} with no icing | | -55 $^\circ$ to +125 $^\circ\text{C}$ | -55 $^\circ$ to +100 $^\circ\text{C}$ | -55 $^\circ$ to +125 $^\circ\text{C}$ |

Electrical Characteristics

| Parameter | | Comments and conditions | | G3VM-353D, G3VM-353D(TR) | G3VM-401D, G3VM-401D(TR) | G3VM-61D, G3VM-61D(TR) |
|----------------------------------|--|----------------------------|---------|--------------------------------|--------------------------------|-------------------------------|
| Input | LED forward voltage (V_F) | $I_F=10$ mA | Min. | 1.0 V | 1.0 V | 1.0 V |
| | | | Typical | 1.15 V | 1.15 V | 1.15 V |
| | | | Max. | 1.3 V | 1.3 V | 1.3 V |
| | Reverse current | I_R | Max. | 10 μ A | 10 μ A | 10 μ A |
| | Reverse voltage | V_R | Max. | 5 V | 5 V | 5 V |
| | Capacitance (C_T) | $V = 0$; freq. = 1 MHz | | Typical | 30 pF | 30 pF |
| Keep ON LED current (I_{FT}) | At I_{ON} | Typical | 1 mA | 1 mA | 1 mA | |
| | | Max. | 3 mA | 3 mA | 3 mA | |
| Output | ON-resistance (R_{ON}) | At I_O | Typical | 15 Ω ($I_{ON}=150$ mA) | 18 Ω ($I_{ON}=120$ mA) | 1 Ω ($I_{ON}=500$ mA) |
| | | | Max. | 25 Ω ($I_{ON}=150$ mA) | 35 Ω ($I_{ON}=120$ mA) | 2 Ω ($I_{ON}=500$ mA) |
| | OFF-state leakage current (I_{LEAK}) | At V_{OFF} | Max. | 1.0 μ A | 1.0 μ A | 1.0 μ A |
| Limit current (I_{LIM}) | $I_F = 5$ mA, $V_{DD} = 5$ V, $t = 5$ ms | Min. | — | — | — | |
| | | Max. | — | — | — | |
| Transfer characteristics | I/O capacitance | (C_{IO}) | Typical | 0.8 pF | 0.8 pF | 0.8 pF |
| | I/O resistance | (R_{IO}) | Min. | 1000 M Ω | 1000 M Ω | 1000 M Ω |
| | Operate time | (t_{ON}) | Max. | 1.0 ms | 1.0 ms | 1.0 ms ($I_F = 10$ mA) |
| | Release time | (t_{OFF}) | Max. | 3.0 ms | 1.0 ms | 1.0 ms ($I_F = 10$ mA) |

Optimum Operating Conditions

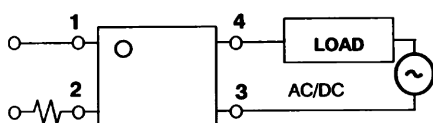
| Parameter | Comments and conditions | | G3VM-353D, G3VM-353D(TR) | G3VM-401D, G3VM-401D(TR) | G3VM-61D, G3VM-61D(TR) |
|-----------------------------|-------------------------|---------|-----------------------------|-----------------------------|---------------------------|
| Output voltage strength | V_{DD} | Max. | 280 V | 320 V | 48 V |
| Operate LED forward current | I_F | Min. | 5 mA | 5 mA | 5 mA |
| | | Typical | — | 7.5 mA | 7.5 mA |
| | | Max. | 25 mA | 25 mA | 25 mA |
| Continuous load current | I_O | Max. | 150 mA | 100 mA | 400 mA |
| Ambient temperature | T_A | | -20° to 65°C | -20° to 65°C | -20° to 65°C |

Dimensions

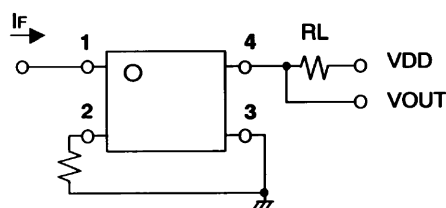
| Item | G3VM-353D, G3VM-353D(TR) | G3VM-401D, G3VM-401D(TR) | G3VM-61D, G3VM-61D(TR) |
|------------|-----------------------------|-----------------------------|---------------------------|
| Dimensions | See pages 94, 98 | See pages 94, 98 | See pages 94, 98 |

Connections

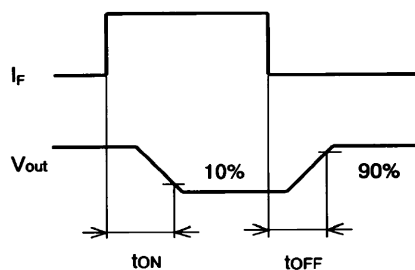
G3VM-353D, -353D(TR)



G3VM-353D, -353D(TR), -401D, -401D(TR), -61D, -61D(TR)



Timing Chart



G3VM-61D1(TR), -351E(TR), -353E(TR)

Maximum Rating

| Parameter | | Comments and conditions | | G3VM-61D1, G3VM-61D1(TR) | G3VM-351E, G3VM-351E(TR) | G3VM-353E, G3VM-353E(TR) |
|-------------------------------|--------------------------------|---------------------------------------|---------|---------------------------------------|--|--|
| Contact form/no. of terminals | | — | | 1 Form A/4 pins | 1 Form A/6 pins | 1 Form B/6 pins |
| Input (LED) | LED forward current | I_F | Typical | 50 mA | 50 mA | 50 mA |
| | | I_{FP} (100 μ s pulse, 100 pps) | Max. | 1 A | 1 A | 1 A |
| | Forward current derating | $T_a \geq 25^\circ\text{C}$ | | -0.5 mA/ $^\circ\text{C}$ | -0.5 mA/ $^\circ\text{C}$ | -0.5 mA/ $^\circ\text{C}$ |
| | Reverse voltage | V_R | Max. | 5 V | 5 V | 5 V |
| | Junction temperature (T_j) | | | 125 $^\circ\text{C}$ | 125 $^\circ\text{C}$ | 125 $^\circ\text{C}$ |
| Output (Detector) | Output voltage strength | V_{OFF} | | 60 V | 350 V | 350 V |
| | Continuous load current | I_O | | 500 mA | 120 mA (for A) 120 mA (for B) 240 mA (for C) | 150 mA (for A) 150 mA (for B) 300 mA (for C) |
| | ON-state current derating | $T_a \geq 25^\circ\text{C}$ | | -5.0 mA/ $^\circ\text{C}$ | -1.2 mA/ $^\circ\text{C}$ (for A) | -1.5 mA/ $^\circ\text{C}$ (for A) |
| | Junction temperature (T_j) | | | 125 $^\circ\text{C}$ | 125 $^\circ\text{C}$ | 125 $^\circ\text{C}$ |
| Dielectric strength | | $V_{I/O}$ for 1 minute min. | | 2500 VAC | 2500 VAC | 2500 VAC |
| Temperature | Ambient | T_a with no icing | | -40 $^\circ$ to +85 $^\circ\text{C}$ | -40 $^\circ$ to +85 $^\circ\text{C}$ | -40 $^\circ$ to +85 $^\circ\text{C}$ |
| | Storage | T_{stg} with no icing | | -55 $^\circ$ to +125 $^\circ\text{C}$ | -55 $^\circ$ to +125 $^\circ\text{C}$ | -55 $^\circ$ to +125 $^\circ\text{C}$ |

Electrical Characteristics

| Parameter | | Comments and conditions | | G3VM-61D1, G3VM-61D1(TR) | G3VM-351E, G3VM-351E(TR) | G3VM-353E, G3VM-353E(TR) |
|--------------------------|--|----------------------------|---------|-------------------------------|---|---|
| Input | LED forward voltage (V_F) | $I_F=10$ mA | Min. | 1.0 V | 1.0 V | 1.0 V |
| | | | Typical | 1.15 V | 1.15 V | 1.15 V |
| | | | Max. | 1.3 V | 1.3 V | 1.3 V |
| | Reverse current | I_R | Max. | 10 μ A | 10 μ A | 10 μ A |
| | Reverse voltage | V_R | Max. | 5 V | 5 V | 5 V |
| | Capacitance (C_T) | $V = 0$; freq. = 1 MHz | Typical | 30 pF | 30 pF | 30 pF |
| | Keep ON LED current (I_{FT}) | At I_{ON} | Typical | 1.6 mA | 1 mA | 1 mA |
| | | | Max. | 3 mA | 3 mA | 3 mA |
| Output | ON-resistance (R_{ON}) | $I_F=5$ mA | Typical | 1 Ω ($I_{ON}=500$ mA) | 35 Ω ($I_{ON}=120$ mA) for connection A | 15 Ω ($I_{ON}=150$ mA) for connection A |
| | | | Max. | 2 Ω ($I_{ON}=500$ mA) | 50 Ω ($I_{ON}=120$ mA) for connection A | 25 Ω ($I_{ON}=150$ mA) for connection A |
| | | | Typical | — | 28 Ω ($I_{ON}=120$ mA) for connection B | 8 Ω ($I_{ON}=150$ mA) for connection B |
| | | | Max. | — | 40 Ω ($I_{ON}=120$ mA) for connection B | 14 Ω ($I_{ON}=150$ mA) for connection B |
| | | | Typical | — | 14 Ω ($I_{ON}=240$ mA) for connection C | 4 Ω ($I_{ON}=300$ mA) for connection C |
| | | | Max. | — | 20 Ω ($I_{ON}=240$ mA) for connection C | 7 Ω ($I_{ON}=300$ mA) for connection C |
| | OFF-state leakage current (I_{LEAK}) | At V_{OFF} | Max. | 1.0 μ A | 1.0 μ A | 1.0 μ A |
| Transfer characteristics | I/O capacitance | ($C_{I/O}$) | Typical | 0.8 pF | 0.8 pF | 0.8 pF |
| | I/O resistance | ($R_{I/O}$) | Min. | 1000 M Ω | 1000 M Ω | 1000 M Ω |
| | Operate time | (t_{ON}) | Max. | 2.0 ms | 1.0 ms | 1.0 ms |
| | Release time | (t_{OFF}) | Max. | 0.5 ms | 1.0 ms | 3.0 ms |

Optimum Operating Conditions

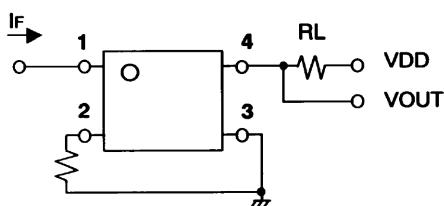
| Parameter | Comments and conditions | | G3VM-61D1, G3VM-61D1(TR) | G3VM-351E, G3VM-351E(TR) | G3VM-353E, G3VM-353E(TR) |
|-----------------------------|-------------------------|---------|-----------------------------|-----------------------------|-----------------------------|
| Output voltage strength | V_{DD} | Max. | 48 V | 280 V | 280 V |
| Operate LED forward current | I_F | Min. | 5 mA | 5 mA | 5 mA |
| | | Typical | 7.5 mA | 10 mA | — |
| | | Max. | 25 mA | 25 mA | 25 mA |
| Continuous load current | I_O | Max. | 500 mA | 100 mA | 150 mA |
| Ambient temperature | T_A | | -20° to 65°C | -20° to 65°C | -20° to 65°C |

Dimensions

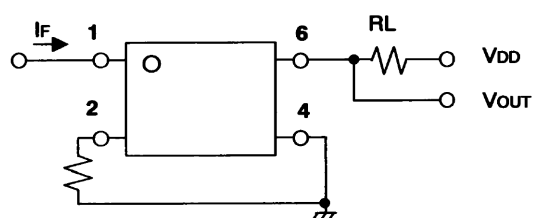
| Item | G3VM-61D1, G3VM-61D1(TR) | G3VM-351E, G3VM-351E(TR) | G3VM-353E, G3VM-353E(TR) |
|------------|-----------------------------|-----------------------------|-----------------------------|
| Dimensions | See pages 94, 98 | See pages 94, 99 | See pages 94, 99 |

Connections

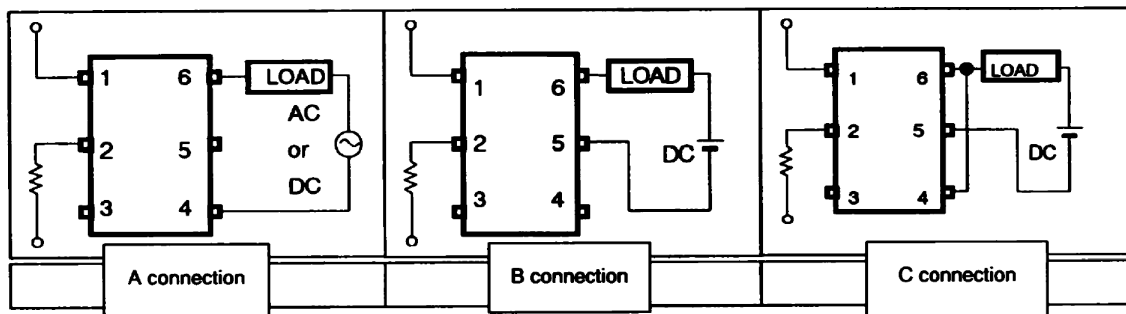
G3VM-61D1, -61D(TR)



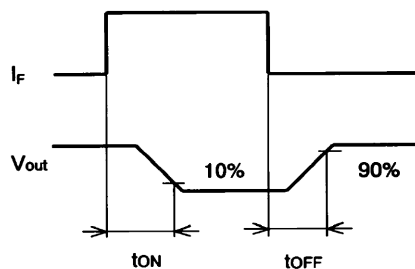
G3VM-351E, -351E(TR), -353E, -353E(TR)



G3VM-351E, -351E(TR), -353E, -353E(TR)



Timing Chart



G3VM-3F(TR), -3FL(TR), -401E(TR)

Maximum Rating

| Parameter | | Comments and conditions | | G3VM-3F, G3VM-3F(TR) | G3VM-3FL, G3VM-3FL(TR) | G3VM-401E, G3VM-401E(TR) |
|-------------------------------|--------------------------------|---------------------------------------|---------|--|---------------------------------------|--|
| Contact form/no. of terminals | | — | | 1 Form A/6 pins | 1 Form A/6 pins | 1 Form A/6 pins |
| Input (LED) | LED forward current | I_F | Typical | 50 mA | 50 mA | 50 mA |
| | | I_{FP} (100 μ s pulse, 100 pps) | Max. | 1 A | 1 A | 1 A |
| | Forward current derating | $T_a \geq 25^\circ\text{C}$ | | -0.5 mA/ $^\circ\text{C}$ | -0.5 mA/ $^\circ\text{C}$ | -0.5 mA/ $^\circ\text{C}$ |
| | Reverse voltage | V_R | Max. | 5 V | 5 V | 5 V |
| | Junction temperature (T_J) | | | 125 $^\circ\text{C}$ | 125 $^\circ\text{C}$ | 125 $^\circ\text{C}$ |
| Output (Detector) | Output voltage strength | V_{OFF} | | 350 V | 350 V | 400 V |
| | Continuous load current | I_O | | 120 mA (for A) 120 mA (for B) 160 mA (for C) | 120 mA | 120 mA (for A) 120 mA (for B) 240 mA (for C) |
| | ON-state current derating | $T_a \geq 25^\circ\text{C}$ | | -1.2 mA/ $^\circ\text{C}$ (for A) | -1.2 mA/ $^\circ\text{C}$ | -1.2 mA/ $^\circ\text{C}$ (for A) |
| | Junction temperature (T_J) | | | 125 $^\circ\text{C}$ | 125 $^\circ\text{C}$ | 125 $^\circ\text{C}$ |
| Dielectric strength | | $V_{I/O}$ for 1 minute min. | | 2500 VAC | 2500 VAC | 2500 VAC |
| Temperature | Ambient | T_a with no icing | | -20 $^\circ$ to +85 $^\circ\text{C}$ | -40 $^\circ$ to +85 $^\circ\text{C}$ | -40 $^\circ$ to +85 $^\circ\text{C}$ |
| | Storage | T_{stg} with no icing | | -55 $^\circ$ to +100 $^\circ\text{C}$ | -55 $^\circ$ to +125 $^\circ\text{C}$ | -55 $^\circ$ to +125 $^\circ\text{C}$ |

Electrical Characteristics

| Parameter | | Comments and conditions | | G3VM-3F, G3VM-3F(TR) | G3VM-3FL, G3VM-3FL(TR) | G3VM-401E, G3VM-401E(TR) | |
|----------------------------------|--|----------------------------|-------------|--|--|--|-------------|
| Input | LED forward voltage (V_F) | $I_F=10$ mA | Min. | 1.0 V | 1.0 V | 1.0 V | |
| | | | Typical | 1.15 V | 1.15 V | 1.15 V | |
| | | | Max. | 1.3 V | 1.3 V | 1.3 V | |
| | Reverse current | I_R | Max. | 10 μ A | 10 μ A | 10 μ A | |
| | Reverse voltage | V_R | Max. | 5 V | 5 V | 5 V | |
| | Capacitance (C_T) | $V = 0$; freq. = 1 MHz | | Typical | 30 pF | 30 pF | 30 pF |
| Keep ON LED current (I_{FT}) | At I_O | | Typical | — | — | 1 mA | |
| | | | Max. | 3 mA | 3 mA | 3 mA | |
| Output | ON-resistance (R_{ON}) | $I_F=5$ mA | Typical | 22 Ω ($I_{ON}=120$ mA) for connection A | 22 Ω ($I_{ON}=120$ mA) for connection A | 17 Ω ($I_{ON}=120$ mA) for connection A | |
| | | | Max. | 35 Ω ($I_{ON}=120$ mA) for connection A | 35 Ω ($I_{ON}=120$ mA) for connection A | 35 Ω ($I_{ON}=120$ mA) for connection A | |
| | | | Typical | 16 Ω ($I_{ON}=120$ mA) for connection B | — | 11 Ω ($I_{ON}=120$ mA) for connection B | |
| | | | Max. | 23 Ω ($I_{ON}=120$ mA) for connection B | — | 20 Ω ($I_{ON}=120$ mA) for connection B | |
| | | | Typical | 8 Ω ($I_{ON}=160$ mA) for connection C | — | 6 Ω ($I_{ON}=240$ mA) for connection C | |
| | | | Max. | 12 Ω ($I_{ON}=160$ mA) for connection C | — | 10 Ω ($I_{ON}=240$ mA) for connection C | |
| | OFF-state leakage current (I_{LEAK}) | At V_{OFF} | | Max. | 1.0 μ A | 1.0 μ A | 1.0 μ A |
| | Limit current | (I_{LIM}) | | Min. | — | 150 mA | — |
| | | | | Max. | — | 300 mA | — |
| | Transfer characteristics | I/O capacitance | $(C_{I/O})$ | | Typical | 0.8 pF | 0.8 pF |
| I/O resistance | | $(R_{I/O})$ | | Min. | 1000 M Ω | 1000 M Ω | |
| Operate time | | (t_{ON}) | | Max. | 1.0 ms | 1.0 ms | |
| Release time | | (t_{OFF}) | | Max. | 1.0 ms | 1.0 ms | |

Optimum Operating Conditions

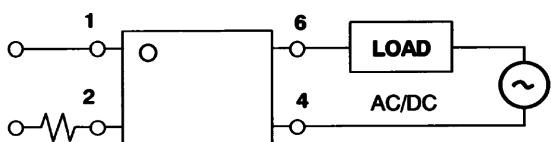
| Parameter | Comments and conditions | | G3VM-3F, G3VM-3F(TR) | G3VM-3FL, G3VM-3FL(TR) | G3VM-401E, G3VM-401E(TR) |
|-----------------------------|-------------------------|---------|-------------------------|---------------------------|-----------------------------|
| Output voltage strength | V_{DD} | Max. | 280 V | 280 V | 320 V |
| Operate LED forward current | I_F | Min. | 5 mA | 5 mA | 5 mA |
| | | Typical | 7.5 mA | 7.5 mA | 7.5 mA |
| | | Max. | 25 mA | 25 mA | 25 mA |
| Continuous load current | I_O | Max. | 120 mA | 120 mA | 120 mA |
| Ambient temperature | T_A | | -20° to 65°C | -20° to 65°C | -20° to 65°C |

Dimensions

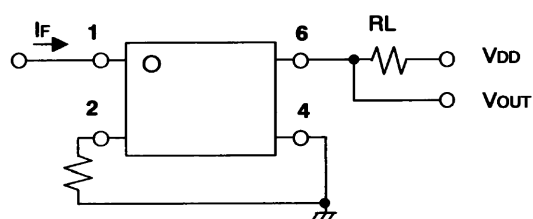
| Item | G3VM-3F, G3VM-3F(TR) | G3VM-3FL, G3VM-3FL(TR) | G3VM-401E, G3VM-401E(TR) |
|------------|-------------------------|---------------------------|-----------------------------|
| Dimensions | See pages 94, 99 | See pages 94, 99 | See pages 94, 99 |

Connections

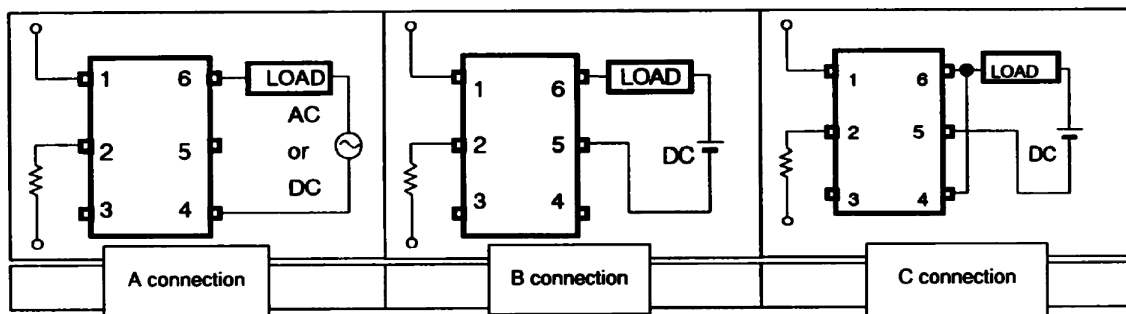
G3VM-3FL, -3FL(TR)



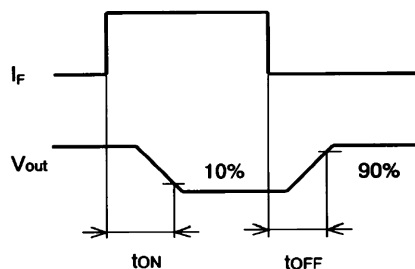
G3VM-3F, -3F(TR), -3FL, -3FL(TR), -401E, -401E(TR)



G3VM-3F, -3F(TR), -401E, -401E(TR)



Timing Chart



G3VM-401EY(TR), -601EY(TR), G3VM-61E(TR)

Maximum Rating

| Parameter | | Comments and conditions | | G3VM-401EY, G3VM-401EY(TR) | G3VM-601EY, G3VM-601EY(TR) | G3VM-61E, G3VM-61E(TR) |
|-------------------------------|--------------------------------|---------------------------------------|---------|--|--|---|
| Contact form/no. of terminals | | — | | 1 Form A/6 pins | 1 Form A/6 pins | 1 Form A/6 pins |
| Input (LED) | LED forward current | I_F | Typical | 50 mA | 50 mA | 50 mA |
| | | I_{FP} (100 μ s pulse, 100 pps) | Max. | 1 A | 1 A | 1 A |
| | Forward current derating | $T_a \geq 25^\circ\text{C}$ | | -0.5 mA/ $^\circ\text{C}$ | -0.5 mA/ $^\circ\text{C}$ | -0.5 mA/ $^\circ\text{C}$ |
| | Reverse voltage | V_R | Max. | 5 V | 5 V | 5 V |
| | Junction temperature (T_J) | | | 125 $^\circ\text{C}$ | 125 $^\circ\text{C}$ | 125 $^\circ\text{C}$ |
| Output (Detector) | Output voltage strength | V_{OFF} | | 400 V | 600 V | 60 V |
| | Continuous load current | I_O | | 120 mA (for A) 120 mA (for B) 240 mA (for C) | 100 mA (for A) 100 mA (for B) 200 mA (for C) | 500 mA (for A) 500 mA (for B) 1000 mA (for C) |
| | ON-state current derating | $T_a \geq 25^\circ\text{C}$ | | -1.2 mA/ $^\circ\text{C}$ (for A) | -1.0 mA/ $^\circ\text{C}$ (for A) | -5.0 mA/ $^\circ\text{C}$ (for A) |
| | Junction temperature (T_J) | | | 125 $^\circ\text{C}$ | 125 $^\circ\text{C}$ | 125 $^\circ\text{C}$ |
| Dielectric strength | | $V_{i/O}$ for 1 minute min. | | 5000 VAC | 5000 VAC | 2500 VAC |
| Temperature | Ambient | T_a with no icing | | -40 $^\circ$ to +85 $^\circ\text{C}$ | -40 $^\circ$ to +85 $^\circ\text{C}$ | -40 $^\circ$ to +85 $^\circ\text{C}$ |
| | Storage | T_{stg} with no icing | | -55 $^\circ$ to +125 $^\circ\text{C}$ | -55 $^\circ$ to +125 $^\circ\text{C}$ | -55 $^\circ$ to +125 $^\circ\text{C}$ |

Electrical Characteristics

| Parameter | | Comments and conditions | | G3VM-401EY, G3VM-401EY(TR) | G3VM-601EY, G3VM-601EY(TR) | G3VM-61E, G3VM-61E(TR) |
|----------------------------------|--|----------------------------|---------|---|--|---|
| Input | LED forward voltage (V_F) | $I_F=10$ mA | Min. | 1.0 V | 1.0 V | 1.0 V |
| | | | Typical | 1.15 V | 1.15 V | 1.15 V |
| | | | Max. | 1.3 V | 1.3 V | 1.3 V |
| | Reverse current | I_R | Max. | 10 μ A | 10 μ A | 10 μ A |
| | Reverse voltage | V_R | Max. | 5 V | 5 V | 5 V |
| | Capacitance (C_T) | $V = 0$; freq. = 1 MHz | | Typical | 30 pF | 30 pF |
| Keep ON LED current (I_{FT}) | At I_O | | Typical | — | 1.6 mA | — |
| | | | Max. | 3 mA | 5 mA | 3 mA |
| Output | ON-resistance (R_{ON}) | $I_F=5$ mA | Typical | 17 Ω ($I_{ON}=120$ mA) for connection A | 22 Ω ($I_{ON}=100$ mA) for connection A | 1 Ω ($I_{ON}=500$ mA) for connection A |
| | | | | Max. | 35 Ω ($I_{ON}=120$ mA) for connection A | 35 Ω ($I_{ON}=100$ mA) for connection A |
| | | | Typical | 11 Ω ($I_{ON}=120$ mA) for connection B | 17 Ω ($I_{ON}=100$ mA) for connection B | 0.5 Ω ($I_{ON}=500$ mA) for connection B |
| | | | | Max. | 20 Ω ($I_{ON}=120$ mA) for connection B | 27 Ω ($I_{ON}=100$ mA) for connection B |
| | | | Typical | 6 Ω ($I_{ON}=240$ mA) for connection C | 8.5 Ω ($I_{ON}=200$ mA) for connection C | 0.3 Ω ($I_{ON}=1000$ mA) for connection C |
| | | | | Max. | 10 Ω ($I_{ON}=240$ mA) for connection C | 13.5 Ω ($I_{ON}=200$ mA) for connection C |
| | OFF-state leakage current (I_{LEAK}) | At V_{OFF} | Max. | 1.0 μ A | 1.0 μ A | 1.0 μ A |
| Transfer characteristics | I/O capacitance | ($C_{i/O}$) | Typical | 0.8 pF | 0.8 pF | 0.8 pF |
| | I/O resistance | ($R_{i/O}$) | Min. | 1000 M Ω | 1000 M Ω | 1000 M Ω |
| | Operate time | (t_{ON}) | Max. | 1.0 ms | 1.5 ms | 1.0 ms |
| | Release time | (t_{OFF}) | Max. | 1.0 ms | 1.0 ms | 1.0 ms |

Optimum Operating Conditions

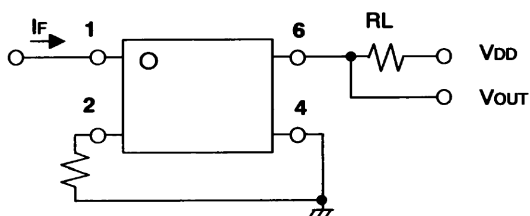
| Parameter | Comments and conditions | | G3VM-401EY, G3VM-401EY(TR) | G3VM-601EY, G3VM-601EY(TR) | G3VM-61E, G3VM-61E(TR) |
|-----------------------------|-------------------------|---------|-------------------------------|-------------------------------|---------------------------|
| Output voltage strength | V_{DD} | Max. | 320 V | 480 V | 48 V |
| Operate LED forward current | I_F | Min. | 5 mA | 5 mA | 5 mA |
| | | Typical | 7.5 mA | — | 7.5 mA |
| | | Max. | 25 mA | 25 mA | 25 mA |
| Continuous load current | I_O | Max. | 120 mA | 100 mA | 400 mA |
| Ambient temperature | T_A | | -20° to 65°C | -20° to 65°C | -20° to 65°C |

Dimensions

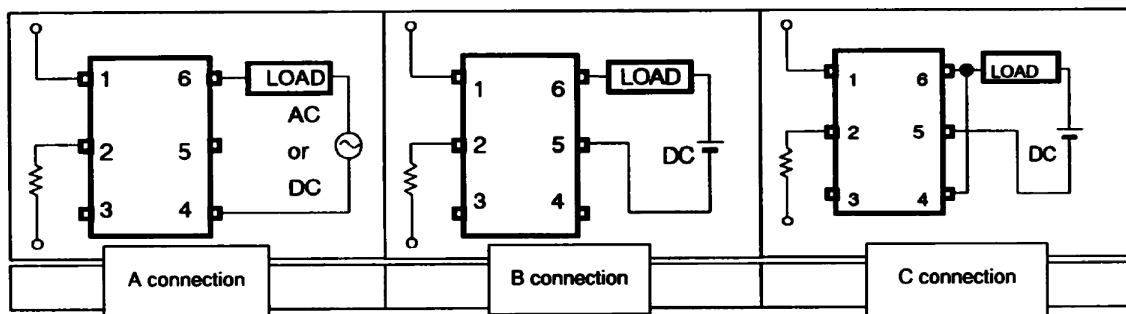
| Item | G3VM-401EY, G3VM-401EY(TR) | G3VM-601EY, G3VM-601EY(TR) | G3VM-61E, G3VM-61E(TR) |
|------------|-------------------------------|-------------------------------|---------------------------|
| Dimensions | See pages 94, 99 | See pages 94, 99 | See pages 94, 99 |

Connections

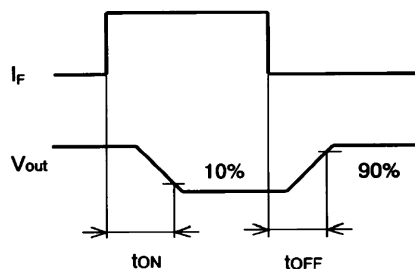
G3VM-401EY, -401EY(TR), -601EY, -601EY(TR), -61E, -61E(TR)



G3VM-401EY, -401EY(TR), -601EY, -601EY(TR), -61E, -61E(TR)



Timing Chart



G3VM-61E1(TR), -VF(TR)

Maximum Rating

| Parameter | | Comments and conditions | | G3VM-61E1, G3VM-61E1(TR) | G3VM-VF, G3VM-VF(TR) |
|-------------------------------|--------------------------------|---------------------------------------|---------|---|--|
| Contact form/no. of terminals | | — | | 1 Form A/6 pins | 1 Form A/6 pins |
| Input (LED) | LED forward current | I_F | Typical | 50 mA | 50 mA |
| | | I_{FP} (100 μ s pulse, 100 pps) | Max. | 1 A | 1 A |
| | Forward current derating | $T_a \geq 25^\circ\text{C}$ | | -0.5 mA/ $^\circ\text{C}$ | -0.5 mA/ $^\circ\text{C}$ |
| | Reverse voltage | V_R | Max. | 5 V | 5 V |
| | Junction temperature (T_J) | | | 125 $^\circ\text{C}$ | 125 $^\circ\text{C}$ |
| Output (Detector) | Output voltage strength | V_{OFF} | | 60 V | 60 V |
| | Continuous load current | I_O | | 500 mA (for A) 500 mA (for B) 1000 mA (for C) | 300 mA (for A) 450 mA (for B) 600 mA (for C) |
| | ON-state current derating | $T_a \geq 25^\circ\text{C}$ | | -5.0 mA/ $^\circ\text{C}$ (for A) | -3.0 mA/ $^\circ\text{C}$ (for A) |
| | Junction temperature (T_J) | | | 125 $^\circ\text{C}$ | 125 $^\circ\text{C}$ |
| Dielectric strength | | V_{IO} for 1 minute min. | | 2500 VAC | 2500 VAC |
| Temperature | Ambient | T_a with no icing | | -40 $^\circ$ to +85 $^\circ\text{C}$ | -20 $^\circ$ to +85 $^\circ\text{C}$ |
| | Storage | T_{stg} with no icing | | -55 $^\circ$ to +125 $^\circ\text{C}$ | -55 $^\circ$ to +100 $^\circ\text{C}$ |

Electrical Characteristics

| Parameter | | Comments and conditions | | G3VM-61E1, G3VM-61E1(TR) | G3VM-VF, G3VM-VF(TR) |
|--|-------------------------------|----------------------------|---------|--|---|
| Input | LED forward voltage (V_F) | $I_F=10$ mA | Min. | 1.0 V | 1.0 V |
| | | | Typical | 1.15 V | 1.15 V |
| | | | Max. | 1.3 V | 1.3 V |
| | Reverse current | I_R | Max. | 10 μ A | 10 μ A |
| | Reverse voltage | V_R | Max. | 5 V | 5 V |
| | Capacitance (C_T) | $V = 0$; freq. = 1 MHz | | Typical | 30 pF |
| Output | ON-resistance (R_{ON}) | $I_F=5$ mA | Typical | 1 Ω ($I_{ON}=500$ mA) for connection A | 1.4 Ω ($I_{ON}=300$ mA) for connection A |
| | | | Max. | 2 Ω ($I_{ON}=500$ mA) for connection A | 2 Ω ($I_{ON}=300$ mA) for connection A |
| | | | Typical | 0.5 Ω ($I_{ON}=500$ mA) for connection B | 0.7 Ω ($I_{ON}=450$ mA) for connection B |
| | | | Max. | 1 Ω ($I_{ON}=500$ mA) for connection B | 1 Ω ($I_{ON}=450$ mA) for connection B |
| | | | Typical | 0.25 Ω ($I_{ON}=1000$ mA) for connection C | 0.35 Ω ($I_{ON}=600$ mA) for connection C |
| | | | Max. | — | 0.5 Ω ($I_{ON}=600$ mA) for connection C |
| OFF-state leakage current (I_{LEAK}) | At V_{OFF} | | Max. | 1.0 μ A | 1.0 μ A |
| Transfer characteristics | I/O capacitance | (C_{IO}) | | Typical | 0.8 pF |
| | I/O resistance | (R_{IO}) | | Min. | 1000 M Ω |
| | Operate time | (t_{ON}) | | Max. | 2.0 ms |
| | Release time | (t_{OFF}) | | Max. | 0.5 ms |

Optimum Operating Conditions

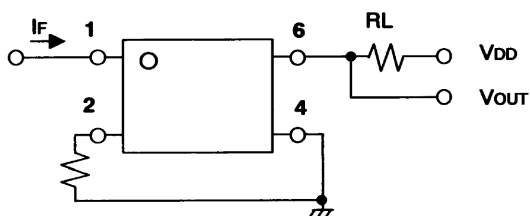
| Parameter | Comments and conditions | | G3VM-61E1, G3VM-61E1(TR) | G3VM-VF, G3VM-VF(TR) |
|-----------------------------|-------------------------|---------|-----------------------------|-------------------------|
| Output voltage strength | V_{DD} | Max. | 48 V | 48 V |
| Operate LED forward current | I_F | Min. | 5 mA | 7.5 mA |
| | | Typical | 7.5 mA | 15 mA |
| | | Max. | 25 mA | 25 mA |
| Continuous load current | I_O | Max. | 500 mA | 300 mA |
| Ambient temperature | T_A | | -20° to 65°C | -20° to 80°C |

Dimensions

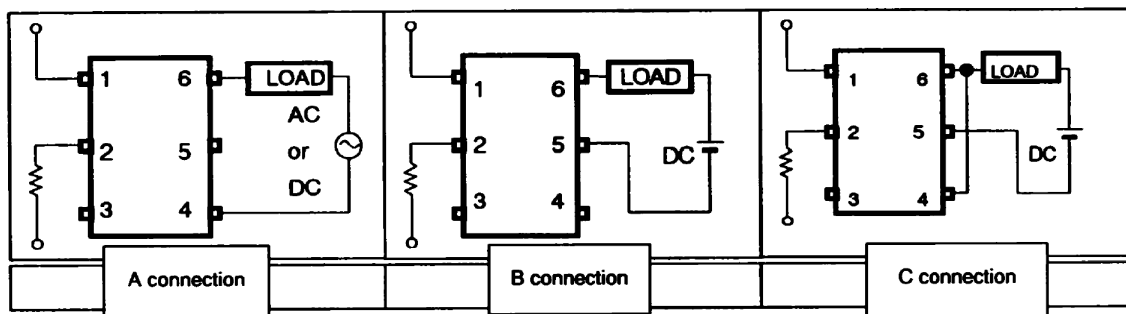
| Item | G3VM-61E1, G3VM-61E1(TR) | G3VM-VF, G3VM-VF(TR) |
|------------|-----------------------------|-------------------------|
| Dimensions | See pages 94, 99 | See pages 94, 99 |

Connections

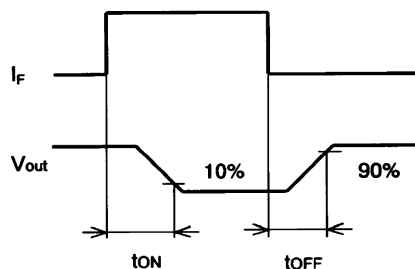
G3VM-61E1, -61E1(TR), -VF, -VF(TR)



G3VM-61E1, -61E1(TR), -VF, -VF(TR)



Timing Chart



G3VM-22FO(TR)

Maximum Rating

| Parameter | | Comments and conditions | | G3VM-22FO, G3VM-22FO(TR) |
|-------------------------------|--------------------------------|---------------------------------------|---------|---------------------------------------|
| Contact form/no. of terminals | | — | | 1 Form A/8 pins |
| Input (LED) | LED forward current | I_F | Typical | 50 mA |
| | | I_{FP} (100 μ s pulse, 100 pps) | Max. | 1 A |
| | Forward current derating | $T_a \geq 25^\circ\text{C}$ | | -0.5 mA/ $^\circ\text{C}$ |
| | Reverse voltage | V_R | Max. | 6 V |
| | Junction temperature (T_J) | | | 125 $^\circ\text{C}$ |
| Output (Detector) | Output voltage strength | V_{OFF} | | 20 V |
| | Continuous load current | I_O | | 150 mA |
| | ON-state current derating | $T_a \geq 25^\circ\text{C}$ | | -1.5 mA/ $^\circ\text{C}$ |
| | Junction temperature (T_J) | | | 125 $^\circ\text{C}$ |
| Dielectric strength | | $V_{I/O}$ for 1 minute min. | | 2500 VAC |
| Temperature | Ambient | T_a with no icing | | -40 $^\circ$ to +85 $^\circ\text{C}$ |
| | Storage | T_{stg} with no icing | | -55 $^\circ$ to +125 $^\circ\text{C}$ |

Electrical Characteristics

| Parameter | | Comments and conditions | | G3VM-22FO, G3VM-22FO(TR) |
|----------------------------------|--|-------------------------|---------|-------------------------------|
| Input | LED forward voltage (V_F) | $I_F=10$ mA | Min. | 1.0 V |
| | | | Typical | 1.15 V |
| | | | Max. | 1.3 V |
| | Reverse current | I_R | Max. | 10 μ A |
| | Reverse voltage | V_R | Max. | 6 V |
| | Capacitance (C_T) | $V = 0$; freq. = 1 MHz | | Typical |
| Keep ON LED current (I_{FT}) | At I_O | Typical | 1.5 mA | |
| | | Max. | 5 mA | |
| Output | ON-resistance (R_{ON}) | $I_F=5$ mA | Typical | 2 Ω ($I_{ON}=150$ mA) |
| | | | Max. | 4 Ω ($I_{ON}=150$ mA) |
| | | | Typical | — |
| | | | Max. | — |
| | | | Typical | — |
| | | | Max. | — |
| | OFF-state leakage current (I_{LEAK}) | At V_{OFF} | Max. | 1.0 μ A |
| Transfer characteristics | I/O capacitance | ($C_{I/O}$) | Typical | 0.8 pF |
| | I/O resistance | ($R_{I/O}$) | Min. | 1000 M Ω |
| | Operate time | (t_{ON}) | Max. | 1.0 ms |
| | Release time | (t_{OFF}) | Max. | 1.0 ms |

Optimum Operating Conditions

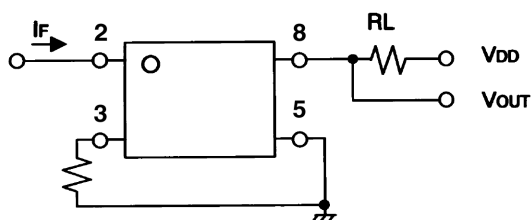
| Parameter | Comments and conditions | | G3VM-22FO, G3VM-22FO(TR) |
|-----------------------------|-------------------------|---------|-----------------------------|
| Output voltage strength | V_{DD} | Max. | 20 V |
| Operate LED forward current | I_F | Min. | 5 mA |
| | | Typical | — mA |
| | | Max. | 30 mA |
| Continuous load current | I_O | Max. | 150 mA |
| Ambient temperature | T_A | | -20° to 65°C |

Dimensions

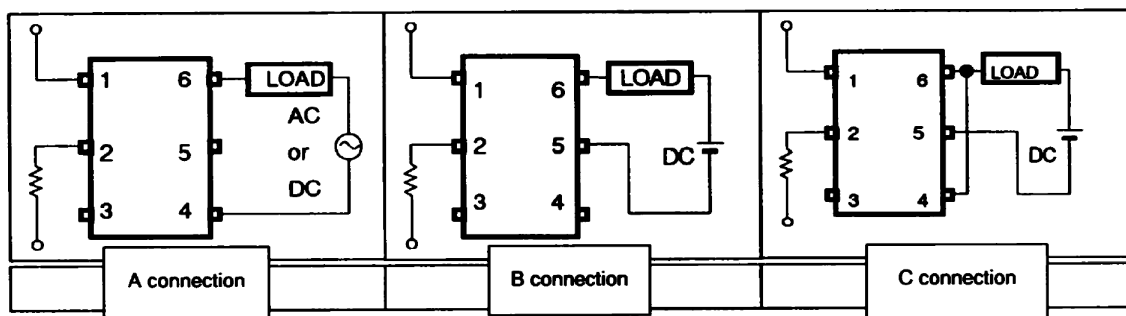
| Item | G3VM-22FO, G3VM-22FO(TR) |
|------------|-----------------------------|
| Dimensions | See pages 95, 99 |

Connections

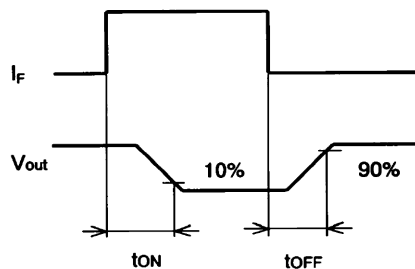
G3VM-22FO, -22FO(TR)



G3VM-22FO, -22FO(TR)



Timing Chart



G3VM-61FP(TR), -61FR(TR), -355FR(TR)

Maximum Rating

| Parameter | | Comments and conditions | | G3VM-61FP, G3VM-61FP(TR) | G3VM-61FR, G3VM-61FR(TR) | G3VM-355FR, G3VM-355FR(TR) |
|-------------------------------|--------------------------------|---------------------------------------|---------|---------------------------------------|---------------------------------------|---------------------------------------|
| Contact form/no. of terminals | | — | | 1 Form A/8 pins | 1 Form A/8 pins | 1FormA+1FormB/ 8 pins |
| Input (LED) | LED forward current | I_F | Typical | 50 mA | 50 mA | 50 mA |
| | | I_{FP} (100 μ s pulse, 100 pps) | Max. | 1 A | 1 A | 1 A |
| | Forward current derating | $T_a \geq 25^\circ\text{C}$ | | -0.5 mA/ $^\circ\text{C}$ | -0.5 mA/ $^\circ\text{C}$ | -0.5 mA/ $^\circ\text{C}$ |
| | Reverse voltage | V_R | Max. | 6 V | 6 V | 5 V |
| | Junction temperature (T_J) | | | 125 $^\circ\text{C}$ | 125 $^\circ\text{C}$ | 125 $^\circ\text{C}$ |
| Output (Detector) | Output voltage strength | V_{OFF} | | 60 V | 60 V | 350 V |
| | Continuous load current | I_O | | 500 mA | 2000 mA | 120 mA |
| | ON-state current derating | $T_a \geq 25^\circ\text{C}$ | | -5.0 mA/ $^\circ\text{C}$ | -20 mA/ $^\circ\text{C}$ | -1.2 mA/ $^\circ\text{C}$ |
| | Junction temperature (T_J) | | | 125 $^\circ\text{C}$ | 125 $^\circ\text{C}$ | 125 $^\circ\text{C}$ |
| Dielectric strength | | V_{IO} for 1 minute min. | | 2500 VAC | 1500 VAC | 2500 VAC |
| Temperature | Ambient | T_a with no icing | | -40 $^\circ$ to +85 $^\circ\text{C}$ | -20 $^\circ$ to +85 $^\circ\text{C}$ | -40 $^\circ$ to +85 $^\circ\text{C}$ |
| | Storage | T_{stg} with no icing | | -55 $^\circ$ to +125 $^\circ\text{C}$ | -55 $^\circ$ to +125 $^\circ\text{C}$ | -55 $^\circ$ to +125 $^\circ\text{C}$ |

Electrical Characteristics

| Parameter | | Comments and conditions | | G3VM-61FP, G3VM-61FP(TR) | G3VM-61FR, G3VM-61FR(TR) | G3VM-355FR, G3VM-355FR(TR) |
|----------------------------------|--|----------------------------|---------|---------------------------------|-----------------------------------|--------------------------------|
| Input | LED forward voltage (V_F) | $I_F=10$ mA | Min. | 1.0 V | 1.0 V | 1.0 V |
| | | | Typical | 1.2 V | 1.2 V | 1.15 V |
| | | | Max. | 1.4 V | 1.4 V | 1.3 V |
| | Reverse current | I_R | Max. | 10 μ A | 10 μ A | 10 μ A |
| | Reverse voltage | V_R | Max. | 6 V | 6 V | 5 V |
| | Capacitance (C_T) | $V = 0$; freq. = 1 MHz | Typical | 15 pF | 15 pF | 30 pF |
| Keep ON LED current (I_{FT}) | At I_O | Typical | — | — | 1 mA | |
| | | Max. | 5 mA | 5 mA | 3 mA | |
| Output | ON-resistance (R_{ON}) | $I_F=5$ mA (1a) | Typical | 0.3 Ω ($I_{ON}=500$ mA) | — | 15 Ω ($I_{ON}=120$ mA) |
| | | | Max. | 0.6 Ω ($I_{ON}=500$ mA) | 0.12 Ω ($I_{ON}=1000$ mA) | 25 Ω ($I_{ON}=120$ mA) |
| | | $I_F=0$ mA (1b) | Typical | — | — | 15 Ω ($I_{ON}=120$ mA) |
| | | | Max. | — | — | 25 Ω ($I_{ON}=120$ mA) |
| | OFF-state leakage current (I_{LEAK}) | At V_{OFF} | Max. | 1.0 μ A | 4.0 μ A | 1.0 μ A |
| | Capacitance | C_{OFF} | Typical | 200 pF | — | — |
| Transfer characteristics | I/O capacitance | (C_{IO}) | Typical | 0.8 pF | 0.8 pF | 0.8 pF |
| | I/O resistance | (R_{IO}) | Min. | 1000 M Ω | 1000 M Ω | 1000 M Ω |
| | Operate time | (t_{ON}) | Max. | 2.0 ms | 5.0 ms | 1.0 ms |
| | Release time | (t_{OFF}) | Max. | 0.5 ms | 3.5 ms | 3.0 ms |

Optimum Operating Conditions

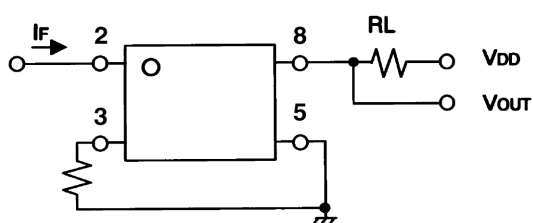
| Parameter | Comments and conditions | | G3VM-61FP, G3VM-61FP(TR) | G3VM-61FR, G3VM-61FR(TR) | G3VM-355FR, G3VM-355FR(TR) |
|-----------------------------|-------------------------|---------|-----------------------------|-----------------------------|-------------------------------|
| Output voltage strength | V_{DD} | Max. | 48 V | 48 V | 280 V |
| Operate LED forward current | I_F | Min. | 10 mA | 10 mA | 5 mA |
| | | Typical | — mA | — | — |
| | | Max. | 30 mA | 30 mA | 25 mA |
| Continuous load current | I_O | Max. | 500 mA | 2000 mA | 120 mA |
| Ambient temperature | T_A | | -25° to 50°C | -20° to 50°C | -20° to 65°C |

Dimensions

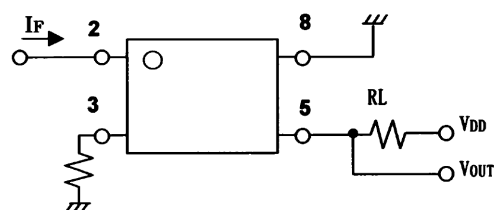
| Item | G3VM-61FP, G3VM-61FP(TR) | G3VM-61FR, G3VM-61FR(TR) | G3VM-355FR, G3VM-355FR(TR) |
|------------|-----------------------------|-----------------------------|-------------------------------|
| Dimensions | See pages 95, 99 | See pages 95, 99 | See pages 95, 99 |

Connections

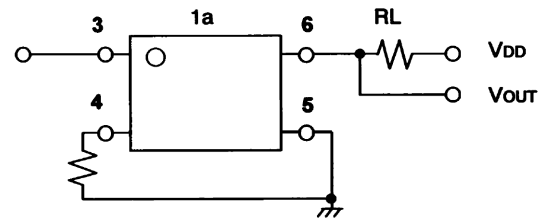
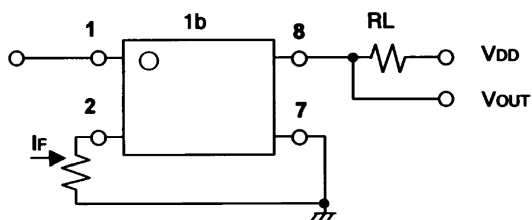
G3VM-61FP, -61FP(TR)



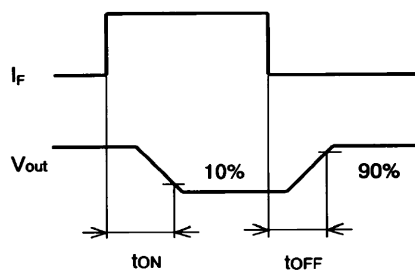
G3VM-61FR, -61FR(TR)



G3VM-355FR, -355FR(TR)



Timing Chart



G3VM-352F(TR), -402F(TR), -62F1(TR)

Maximum Rating

| Parameter | | Comments and conditions | | G3VM-352F, G3VM-352F(TR) | G3VM-402F, G3VM-402F(TR) | G3VM-62F1, G3VM-62F1(TR) |
|-------------------------------|--------------------------------|---------------------------------------|----------|---------------------------------------|---------------------------------------|---------------------------------------|
| Contact form/no. of terminals | | — | | 2 Form A/8 pins | 2 Form A/8 pins | 2 Form A/8 pins |
| Input (LED) | LED forward current | I_F | Typical | 50 mA | 50 mA | 50 mA |
| | | I_{FP} (100 μ s pulse, 100 pps) | Max. | 1 A | 1 A | 1 A |
| | Forward current derating | $T_a \geq 25^\circ\text{C}$ | | -0.5 mA/ $^\circ\text{C}$ | -0.5 mA/ $^\circ\text{C}$ | -0.5 mA/ $^\circ\text{C}$ |
| | Reverse voltage | V_R | Max. | 5 V | 5 V | 5 V |
| | Junction temperature (T_J) | | | 125 $^\circ\text{C}$ | 125 $^\circ\text{C}$ | 125 $^\circ\text{C}$ |
| Output (Detector) | Output voltage strength | V_{OFF} | | 350 V | 400 V | 60 V |
| | Continuous load current | I_O | | 120 mA | 120 mA | 500 mA |
| | ON-state current derating | $T_a \geq 25^\circ\text{C}$ | | -1.2 mA/ $^\circ\text{C}$ | -1.2 mA/ $^\circ\text{C}$ | -5.0 mA/ $^\circ\text{C}$ |
| | Junction temperature (T_J) | | | 125 $^\circ\text{C}$ | 125 $^\circ\text{C}$ | 125 $^\circ\text{C}$ |
| Dielectric strength | V_{IO} for 1 minute min. | | 2500 VAC | 2500 VAC | 2500 VAC | |
| Temperature | Ambient | T_a with no icing | | -40 $^\circ$ to +85 $^\circ\text{C}$ | -40 $^\circ$ to +85 $^\circ\text{C}$ | -40 $^\circ$ to +85 $^\circ\text{C}$ |
| | Storage | T_{stg} with no icing | | -55 $^\circ$ to +125 $^\circ\text{C}$ | -55 $^\circ$ to +125 $^\circ\text{C}$ | -55 $^\circ$ to +125 $^\circ\text{C}$ |

Electrical Characteristics

| Parameter | | Comments and conditions | | G3VM-352F, G3VM-352F(TR) | G3VM-402F, G3VM-402F(TR) | G3VM-62F1, G3VM-62F1(TR) |
|--------------------------|--|----------------------------|---------|---------------------------------------|--------------------------------|---------------------------------|
| Input | LED forward voltage (V_F) | $I_F=10$ mA | Min. | 1.0 V | 1.0 V | 1.0 V |
| | | | Typical | 1.15 V | 1.15 V | 1.15 V |
| | | | Max. | 1.3 V | 1.3 V | 1.3 V |
| | Reverse current | I_R | Max. | 10 μ A | 10 μ A | 10 μ A |
| | Reverse voltage | V_R | Max. | 5 V | 5 V | 5 V |
| | Capacitance (C_T) | $V = 0$; freq. = 1 MHz | Typical | 30 pF | 30 pF | 30 pF |
| | Keep ON LED current (I_{FT}) | At I_O | Typical | 1 | 1 mA | 1.6 mA |
| | | | Max. | 3 mA | 3 mA | 3 mA |
| Output | ON-resistance (R_{ON}) | $I_F=5$ mA | Typical | 35 Ω (25 Ω , $t < 1$ s) | 18 Ω ($I_{ON}=120$ mA) | 1.0 Ω ($I_{ON}=500$ mA) |
| | | | Max. | 50 Ω (35 Ω , $t < 1$ s) | 35 Ω ($I_{ON}=120$ mA) | 2.0 Ω ($I_{ON}=500$ mA) |
| | OFF-state leakage current (I_{LEAK}) | At V_{OFF} | Max. | 1.0 μ A | 1.0 μ A | 1.0 μ A |
| | Capacitance | COFF | Typical | — | — | — |
| Max. | | | — | — | — | |
| Transfer characteristics | I/O capacitance | (C_{IO}) | Typical | 0.8 pF | 0.8 pF | 0.8 pF |
| | I/O resistance | (R_{IO}) | Min. | 1000 M Ω | 1000 M Ω | 1000 M Ω |
| | Operate time | (t_{ON}) | Max. | 1.0 ms | 1.0 ms | 2.0 ms |
| | Release time | (t_{OFF}) | Max. | 1.0 ms | 1.0 ms | 0.5 ms |

Optimum Operating Conditions

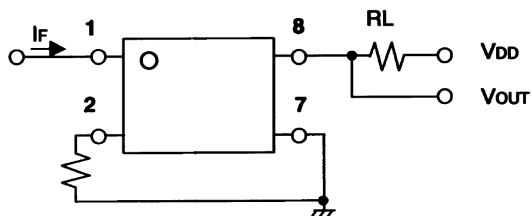
| Parameter | | Comments and conditions | | G3VM-352F, G3VM-352F(TR) | G3VM-402F, G3VM-402F(TR) | G3VM-62F1, G3VM-62F1(TR) |
|-----------------------------|----------|-------------------------|--|-------------------------------------|-------------------------------------|-------------------------------------|
| Output voltage strength | V_{DD} | Max. | | 280 V | 320 V | 48 V |
| Operate LED forward current | I_F | Min. | | 5 mA | 5 mA | 5 mA |
| | | Typical | | 7.5 mA | 7.5 | 7.5 mA |
| | | Max. | | 25 mA | 25 mA | 25 mA |
| Continuous load current | I_O | Max. | | 100 mA | 100 mA | 500 mA |
| Ambient temperature | T_A | | | -20 $^\circ$ to 65 $^\circ\text{C}$ | -20 $^\circ$ to 65 $^\circ\text{C}$ | -20 $^\circ$ to 65 $^\circ\text{C}$ |

Dimensions

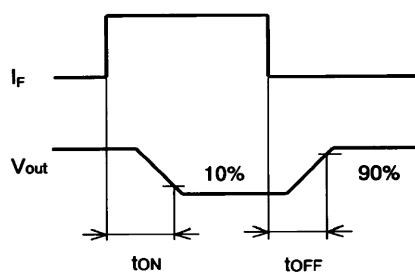
| Item | G3VM-352F, G3VM-352F(TR) | G3VM-402F, G3VM-402F(TR) | G3VM-62F1, G3VM-62F1(TR) |
|------------|-----------------------------|-----------------------------|-----------------------------|
| Dimensions | See pages 95, 99 | See pages 95, 99 | See pages 95,99 |

Connections

G3VM-352FR, -352FR(TR), -402F, -402F(TR), -62F1, -62F1(TR)



Timing Chart



G3VM-WF(TR), -WFL(TR), -354F(TR)

Maximum Rating

| Parameter | | Comments and conditions | | G3VM-WF, G3VM-WF(TR) | G3VM-WFL, G3VM-WFL(TR) | G3VM-354F, G3VM-354F(TR) |
|-------------------------------|--------------------------------|---------------------------------------|---------|---------------------------------------|---------------------------------------|---------------------------------------|
| Contact form/no. of terminals | | — | | 2 Form A/8 pins | 2 Form A/8 pins | 2 Form B/8 pins |
| Input (LED) | LED forward current | I_F | Typical | 50 mA | 50 mA | 50 mA |
| | | I_{FP} (100 μ s pulse, 100 pps) | Max. | 1 A | 1 A | 1 A |
| | Forward current derating | $T_a \geq 25^\circ\text{C}$ | | -0.5 mA/ $^\circ\text{C}$ | -0.5 mA/ $^\circ\text{C}$ | -0.5 mA/ $^\circ\text{C}$ |
| | Reverse voltage | V_R | Max. | 5 V | 6 V | 5 V |
| | Junction temperature (T_J) | | | 125 $^\circ\text{C}$ | 125 $^\circ\text{C}$ | 125 $^\circ\text{C}$ |
| Output (Detector) | Output voltage strength | V_{OFF} | | 350 V | 350 V | 350 V |
| | Continuous load current | I_O | | 120 mA | 120 mA | 150 mA |
| | ON-state current derating | $T_a \geq 25^\circ\text{C}$ | | -1.2 mA/ $^\circ\text{C}$ | -1.2 mA/ $^\circ\text{C}$ | -1.5 mA/ $^\circ\text{C}$ |
| | Junction temperature (T_J) | | | 125 $^\circ\text{C}$ | 125 $^\circ\text{C}$ | 125 $^\circ\text{C}$ |
| Dielectric strength | | $V_{I/O}$ for 1 minute min. | | 2500 VAC | 2500 VAC | 2500 VAC |
| Temperature | Ambient | T_a with no icing | | -20 $^\circ$ to +85 $^\circ\text{C}$ | -40 $^\circ$ to +85 $^\circ\text{C}$ | -40 $^\circ$ to +85 $^\circ\text{C}$ |
| | Storage | T_{stg} with no icing | | -55 $^\circ$ to +100 $^\circ\text{C}$ | -55 $^\circ$ to +125 $^\circ\text{C}$ | -55 $^\circ$ to +125 $^\circ\text{C}$ |

Electrical Characteristics

| Parameter | | Comments and conditions | | G3VM-WF, G3VM-WF(TR) | G3VM-WFL, G3VM-WFL(TR) | G3VM-354F, G3VM-354F(TR) | |
|--------------------------|--|----------------------------|---------|--------------------------------|--------------------------------|--------------------------------|-----------------|
| Input | LED forward voltage (V_F) | $I_F=10$ mA | Min. | 1.0 V | 1.0 V | 1.0 V | |
| | | | Typical | 1.15 V | 1.15 V | 1.15 V | |
| | | | Max. | 1.3 V | 1.3 V | 1.3 V | |
| | Reverse current | I_R | Max. | 10 μ A | 10 μ A | 10 μ A | |
| | Reverse voltage | V_R | Max. | 5 V | 6 V | 5 V | |
| | Capacitance (C_T) | $V = 0$; freq. = 1 MHz | | Typical | 30 pF | 30 pF | 30 pF |
| Output | ON-resistance (R_{ON}) | $I_F=5$ mA | Typical | 22 Ω ($I_{ON}=120$ mA) | 22 Ω ($I_{ON}=120$ mA) | 15 Ω ($I_{ON}=300$ mA) | |
| | | | Max. | 35 Ω ($I_{ON}=120$ mA) | 35 Ω ($I_{ON}=120$ mA) | 25 Ω ($I_{ON}=300$ mA) | |
| | OFF-state leakage current (I_{LEAK}) | At V_{OFF} | | Max. | 1.0 μ A | 1.0 μ A | 1.0 μ A |
| | Limit current | I_{LIM} | Min. | — | 150 mA | — | |
| Max. | | | — | 300 mA | — | | |
| Transfer characteristics | I/O capacitance | $(C_{I/O})$ | | Typical | 0.8 pF | 0.8 pF | 0.8 pF |
| | I/O resistance | $(R_{I/O})$ | | Min. | 1000 M Ω | 1000 M Ω | 1000 M Ω |
| | Operate time | (t_{ON}) | | Max. | 1.0 ms | 1.0 ms | 1.0 ms |
| | Release time | (t_{OFF}) | | Max. | 1.0 ms | 1.0 ms | 3.0 ms |

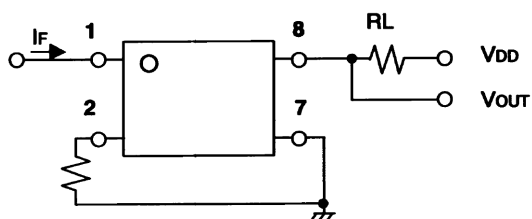
Optimum Operating Conditions

| Parameter | | Comments and conditions | | G3VM-WF, G3VM-WF(TR) | G3VM-WFL, G3VM-WFL(TR) | G3VM-354F, G3VM-354F(TR) |
|-----------------------------|-------|-------------------------|------|-------------------------------------|-------------------------------------|-------------------------------------|
| Output voltage strength | | V_{DD} | Max. | 280 V | 280 V | 280 V |
| Operate LED forward current | I_F | Min. | | 5 mA | 5 mA | 5 mA |
| | | Typical | | 7.5 mA | 7.5 mA | — |
| | | Max. | | 25 mA | 25 mA | 25 mA |
| Continuous load current | | I_O | Max. | 100 mA | 100 mA | 150 mA |
| Ambient temperature | | T_A | | -20 $^\circ$ to 65 $^\circ\text{C}$ | -20 $^\circ$ to 65 $^\circ\text{C}$ | -20 $^\circ$ to 65 $^\circ\text{C}$ |

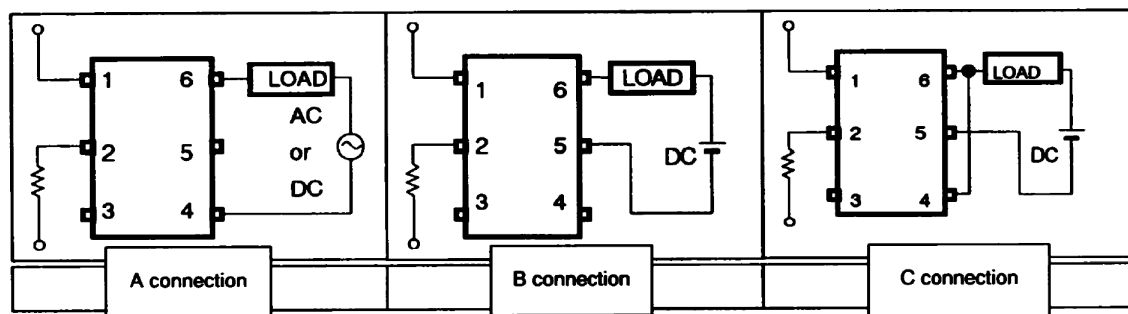
Dimensions

| Item | G3VM-WF, G3VM-WF(TR) | G3VM-WFL, G3VM-WFL(TR) | G3VM-354F, G3VM-354F(TR) |
|------------|-------------------------|---------------------------|-----------------------------|
| Dimensions | See pages 95, 99 | See pages 95, 99 | See pages 95, 99 |

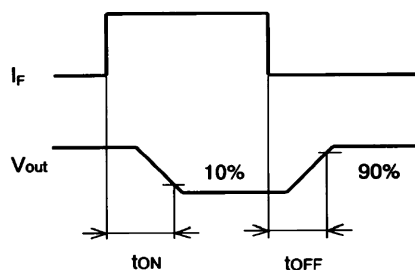
Connections



G3VM-WF, -WF(TR), -WFL, -WFL(TR), -354F, -354F(TR)



Timing Chart



G3VM-21GR(TR), -21GR1(TR), -351G(TR)

Maximum Rating

| Parameter | | Comments and conditions | | G3VM-21GR, G3VM-21GR(TR) | G3VM-21GR1, G3VM-21GR1(TR) | G3VM-351G, G3VM-351G(TR) |
|--------------------------------|--------------------------------|---------------------------------------|---------|---------------------------------------|---------------------------------------|---------------------------------------|
| Contact form/no. of terminals | | — | | 1 Form A/4 pins | 1 Form A/4 pins | 1 Form A/4 pins |
| Input (LED) | LED forward current | I_F | Typical | 50 mA | 50 mA | 50 mA |
| | | I_{FP} (100 μ s pulse, 100 pps) | Max. | 1 A | 1 A | 1 A |
| | Forward current derating | $T_a \geq 25^\circ\text{C}$ | | -0.5 mA/ $^\circ\text{C}$ | -0.5 mA/ $^\circ\text{C}$ | -0.5 mA/ $^\circ\text{C}$ |
| | Reverse voltage | V_R | Max. | 5 V | 5 V | 5 V |
| Junction temperature (T_J) | | | | 125 $^\circ\text{C}$ | 125 $^\circ\text{C}$ | 125 $^\circ\text{C}$ |
| Output (Detector) | Output voltage strength | V_{OFF} | | 20 V | 20 V | 350 V |
| | Continuous load current | I_O | | 160 mA | 300 mA | 110 mA |
| | ON-state current derating | $T_a \geq 25^\circ\text{C}$ | | -1.6 mA/ $^\circ\text{C}$ | -3.0 mA/ $^\circ\text{C}$ | -1.1 mA/ $^\circ\text{C}$ |
| | Junction temperature (T_J) | | | | 125 $^\circ\text{C}$ | 125 $^\circ\text{C}$ |
| Dielectric strength | | V_{IO} for 1 minute min. | | 1500 VAC | 1500 VAC | 1500 VAC |
| Temperature | Ambient | T_a with no icing | | -20 $^\circ$ to +85 $^\circ\text{C}$ | -20 $^\circ$ to +85 $^\circ\text{C}$ | -40 $^\circ$ to +85 $^\circ\text{C}$ |
| | Storage | T_{stg} with no icing | | -55 $^\circ$ to +125 $^\circ\text{C}$ | -55 $^\circ$ to +125 $^\circ\text{C}$ | -55 $^\circ$ to +100 $^\circ\text{C}$ |

Electrical Characteristics

| Parameter | | Comments and conditions | | G3VM-21GR, G3VM-21GR(TR) | G3VM-21GR1, G3VM-21GR1(TR) | G3VM-351G, G3VM-351G(TR) |
|----------------------------------|--|----------------------------|------------------------|-----------------------------|-----------------------------------|---------------------------------------|
| Input | LED forward voltage (V_F) | $I_F=10$ mA | Min. | 1.0 V | 1.0 V | 1.0 V |
| | | | Typical | 1.15 V | 1.15 V | 1.15 V |
| | | | Max. | 1.3 V | 1.3 V | 1.3 V |
| | Reverse current | I_R | Max. | 10 μ A | 10 μ A | 10 μ A |
| | Reverse voltage | V_R | Max. | 5 V | 5 V | 5 V |
| | Capacitance (C_T) | $V = 0$; freq. = 1 MHz | Typical | 15 pF | 15 pF | 30 pF |
| Keep ON LED current (I_{FT}) | At I_O | Typical | — | — | 1 mA ($I_O = 100$ mA) | |
| | | Max. | 4 mA ($I_O = 100$ mA) | 4 mA ($I_O = 100$ mA) | 3 mA ($I_O = 100$ mA) | |
| Output | ON-resistance (R_{ON}) | At I_{ON} $I_F=5$ mA | Typical | 5 Ω | 1 Ω ($I_{ON} = 300$ mA) | 35 Ω (25 Ω , $t < 1$ s) |
| | | | Max. | 8 Ω | 1.5 Ω ($I_{ON} = 300$ mA) | 50 Ω (35 Ω , $t < 1$ s) |
| | OFF-state leakage current (I_{LEAK}) | $V_{OFF} = 350$ V | Max. | 1.0 μ A | 1.0 μ A | 1.0 μ A |
| | OFF capacitance | C_{OFF} | Min. | 1.0 pF | 5.0 pF | — |
| Max. | | | 2.0 pF | 12.0 pF | — | |
| Transfer characteristics | I/O capacitance | (C_{IO}) | Typical | 0.8 pF | 0.8 pF | 0.8 pF |
| | I/O resistance | (R_{IO}) | Min. | 1000 M Ω | 1000 M Ω | 1000 M Ω |
| | Operate time | (t_{ON}) | Max. | 0.5 ms | 0.5 ms | 1.0 ms |
| | Release time | (t_{OFF}) | Max. | 0.5 ms | 0.5 ms | 1.0 ms |

Optimum Operating Conditions

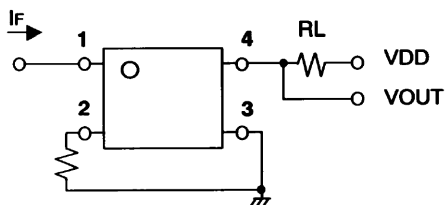
| Parameter | Comments and conditions | | G3VM-21GR, G3VM-21GR(TR) | G3VM-21GR1, G3VM-21GR1(TR) | G3VM-351G, G3VM-351G(TR) |
|-----------------------------|-------------------------|---------|-----------------------------|-------------------------------|-----------------------------|
| Output voltage strength | V_{DD} | Max. | 20 V | 20 V | 280 V |
| Operate LED forward current | I_F | Min. | 7 mA | 7 mA | 5 mA |
| | | Typical | — | — | 7.5 mA |
| | | Max. | 30 mA | 30 mA | 25 mA |
| Continuous load current | I_O | Max. | 160 mA | 300 mA | 100 mA |
| Ambient temperature | T_A | | -25° to 60°C | -25° to 60°C | -20° to 65°C |

Dimensions

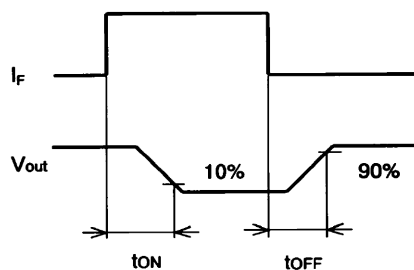
| Item | G3VM-21GR, G3VM-21GR(TR) | G3VM-21GR1, G3VM-21GR1(TR) | G3VM-351G, G3VM-351G(TR) |
|------------|-----------------------------|-------------------------------|-----------------------------|
| Dimensions | See pages 96, 100 | See pages 96, 100 | See pages 96, 100 |

Connections

G3VM-21GR, -21GR(TR), -21GR1, -21GR1(TR), -351G, -351G(TR)



Timing Chart



G3VM-353G(TR), -401G(TR), -41GR3(TR)

Maximum Rating

| Parameter | | Comments and conditions | | G3VM-353G, G3VM-353G(TR) | G3VM-401G, G3VM-401G(TR) | G3VM-41GR3, G3VM-41GR3(TR) |
|--------------------------------|--------------------------------|---------------------------------------|---------|---------------------------------------|---------------------------------------|---------------------------------------|
| Contact form/no. of terminals | | — | | 1 Form B/4 pins | 1 Form A/4 pins | 1 Form A/4 pins |
| Input (LED) | LED forward current | I_F | Typical | 50 mA | 50 mA | 50 mA |
| | | I_{FP} (100 μ s pulse, 100 pps) | Max. | 1 A | 1 A | 1 A |
| | Forward current derating | $T_a \geq 25^\circ\text{C}$ | | -0.5 mA/ $^\circ\text{C}$ | -0.5 mA/ $^\circ\text{C}$ | -0.5 mA/ $^\circ\text{C}$ |
| | Reverse voltage | V_R | Max. | 5 V | 5 V | 5 V |
| Junction temperature (T_J) | | | | 125 $^\circ\text{C}$ | 125 $^\circ\text{C}$ | 125 $^\circ\text{C}$ |
| Output (Detector) | Output voltage strength | V_{OFF} | | 350 V | 400 V | 40 V |
| | Continuous load current | I_O | | 120 mA | 120 mA | 80 mA |
| | ON-state current derating | $T_a \geq 25^\circ\text{C}$ | | -1.2 mA/ $^\circ\text{C}$ | -1.2 mA/ $^\circ\text{C}$ | -0.8 mA/ $^\circ\text{C}$ |
| | Junction temperature (T_J) | | | | 125 $^\circ\text{C}$ | 125 $^\circ\text{C}$ |
| Dielectric strength | | V_{IO} for 1 minute min. | | 1500 VAC | 1500 VAC | 1500 VAC |
| Temperature | Ambient | T_a with no icing | | -40 $^\circ$ to +85 $^\circ\text{C}$ | -40 $^\circ$ to +85 $^\circ\text{C}$ | -40 $^\circ$ to +85 $^\circ\text{C}$ |
| | Storage | T_{stg} with no icing | | -55 $^\circ$ to +125 $^\circ\text{C}$ | -55 $^\circ$ to +125 $^\circ\text{C}$ | -55 $^\circ$ to +125 $^\circ\text{C}$ |

Electrical Characteristics

| Parameter | | Comments and conditions | | G3VM-353G, G3VM-353G(TR) | G3VM-401G, G3VM-401G(TR) | G3VM-41GR3, G3VM-41GR3(TR) |
|--------------------------|--|----------------------------|---------|--------------------------------|--------------------------------|-------------------------------|
| Input | LED forward voltage (V_F) | $I_F=10$ mA | Min. | 1.0 V | 1.0 V | 1.0 V |
| | | | Typical | 1.15 V | 1.15 V | 1.15 V |
| | | | Max. | 1.3 V | 1.3 V | 1.3 V |
| | Reverse current | I_R | Max. | 10 μ A | 10 μ A | 10 μ A |
| | Reverse voltage | V_R | Max. | 5 V | 5 V | 5 V |
| | Capacitance (C_T) | $V = 0$; freq. = 1 MHz | Typical | 30 pF | 30 pF | 15 pF |
| | Keep ON LED current (I_{FT}) | At I_{ON} | Typical | 1 mA | 1 mA | — |
| | | | Max. | 3 mA | 3 mA | 4 mA |
| Output | ON-resistance (R_{ON}) | At I_O | Typical | 15 Ω ($I_{ON}=120$ mA) | 17 Ω ($I_{ON}=120$ mA) | 25 Ω ($I_{ON}=80$ mA) |
| | | | Max. | 25 Ω ($I_{ON}=120$ mA) | 35 Ω ($I_{ON}=120$ mA) | 35 Ω ($I_{ON}=80$ mA) |
| | OFF-state leakage current (I_{LEAK}) | At V_{OFF} | Max. | 1.0 μ A | 1.0 μ A | 1.0 μ A |
| | Capacitance | C_{OFF} | Typical | — | — | — |
| Max. | | | — | — | — | |
| Transfer characteristics | I/O capacitance | (C_{IO}) | Typical | 0.8 pF | 0.8 pF | 0.8 pF |
| | I/O resistance | (R_{IO}) | Min. | 1000 M Ω | 1000 M Ω | 1000 M Ω |
| | Operate time | (t_{ON}) | Max. | 1.0 ms | 1.0 ms | 0.5 ms |
| | Release time | (t_{OFF}) | Max. | 3.0 ms | 1.0 ms | 0.5 ms |

Optimum Operating Conditions

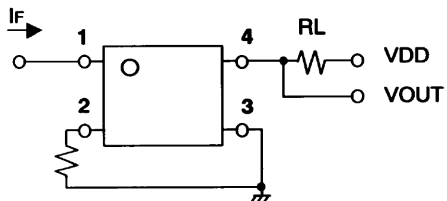
| Parameter | | Comments and conditions | | G3VM-353G, G3VM-353G(TR) | G3VM-401G, G3VM-401G(TR) | G3VM-41GR3, G3VM-41GR3(TR) |
|-----------------------------|-------|-------------------------|------|-------------------------------------|-------------------------------------|-------------------------------------|
| Output voltage strength | | V_{DD} | Max. | 280 V | 320 V | 32 V |
| Operate LED forward current | I_F | Min. | | 5 mA | 5 mA | 10 mA |
| | | Typical | | — | 7.5 mA | — |
| | | Max. | | 25 mA | 25 mA | 30 mA |
| Continuous load current | | I_O | Max. | 120 mA | 120 mA | 80 mA |
| Ambient temperature | | T_A | | -20 $^\circ$ to 65 $^\circ\text{C}$ | -20 $^\circ$ to 65 $^\circ\text{C}$ | -25 $^\circ$ to 60 $^\circ\text{C}$ |

Dimensions

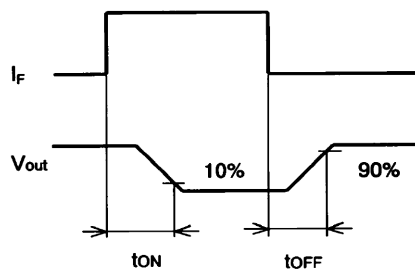
| Item | G3VM-353G, G3VM-353G(TR) | G3VM-401G, G3VM-401G(TR) | G3VM-41GR3, G3VM-41GR3(TR) |
|------------|-----------------------------|-----------------------------|-------------------------------|
| Dimensions | See pages 96, 100 | See pages 96, 100 | See pages 96, 100 |

Connections

G3VM-353G, -353G(TR), -401D, -401D(TR), -41GR3, -41GR3(TR)



Timing Chart



G3VM-41GR4(TR), -41GR5(TR), -41GR6(TR)

Maximum Rating

| Parameter | | Comments and conditions | | G3VM-41GR4, G3VM-41GR4(TR) | G3VM-41GR5, G3VM-41GR5(TR) | G3VM-41GR6, G3VM-41GR6(TR) |
|-------------------------------|--------------------------------|---------------------------------------|---------|---------------------------------------|---------------------------------------|---------------------------------------|
| Contact form/no. of terminals | | — | | 1 Form A/4 pins | 1 Form A/4 pins | 1 Form A/4 pins |
| Input (LED) | LED forward current | I_F | Typical | 50 mA | 50 mA | 50 mA |
| | | I_{FP} (100 μ s pulse, 100 pps) | Max. | 1 A | 1 A | 1 A |
| | Forward current derating | $T_a \geq 25^\circ\text{C}$ | | -0.5 mA/ $^\circ\text{C}$ | -0.5 mA/ $^\circ\text{C}$ | -0.5 mA/ $^\circ\text{C}$ |
| | Reverse voltage | V_R | Max. | 5 V | 5 V | 5 V |
| | Junction temperature (T_J) | | | 125 $^\circ\text{C}$ | 125 $^\circ\text{C}$ | 125 $^\circ\text{C}$ |
| Output (Detector) | Output voltage strength | V_{OFF} | | 40 V | 40 V | 40 V |
| | Continuous load current | I_O | | 250 mA | 300 mA | 120 mA |
| | ON-state current derating | $T_a \geq 25^\circ\text{C}$ | | -2.5 mA/ $^\circ\text{C}$ | -3.0 mA/ $^\circ\text{C}$ | -1.2 mA/ $^\circ\text{C}$ |
| | Junction temperature (T_J) | | | 125 $^\circ\text{C}$ | 125 $^\circ\text{C}$ | 125 $^\circ\text{C}$ |
| Dielectric strength | | $V_{I/O}$ for 1 minute min. | | 1500 VAC | 1500 VAC | 1500 VAC |
| Temperature | Ambient | T_a with no icing | | -20 $^\circ$ to +85 $^\circ\text{C}$ | -20 $^\circ$ to +85 $^\circ\text{C}$ | -20 $^\circ$ to +85 $^\circ\text{C}$ |
| | Storage | T_{stg} with no icing | | -55 $^\circ$ to +125 $^\circ\text{C}$ | -40 $^\circ$ to +125 $^\circ\text{C}$ | -55 $^\circ$ to +125 $^\circ\text{C}$ |

Electrical Characteristics

| Parameter | | Comments and conditions | | G3VM-41GR4, G3VM-41GR4(TR) | G3VM-41GR5, G3VM-41GR5(TR) | G3VM-41GR6, G3VM-41GR6(TR) |
|--------------------------|--|----------------------------|-------------------------|-------------------------------|---------------------------------|--------------------------------|
| Input | LED forward voltage (V_F) | $I_F=10$ mA | Min. | 1.0 V | 1.0 V | 1.0 V |
| | | | Typical | 1.15 V | 1.15 V | 1.15 V |
| | | | Max. | 1.3 V | 1.3 V | 1.3 V |
| | Reverse current | I_R | Max. | 10 μ A | 10 μ A | 10 μ A |
| | Reverse voltage | V_R | Max. | 5 V | 5 V | 5 V |
| | Capacitance (C_T) | $V = 0$; freq. = 1 MHz | Typical | 15 pF | 15 pF | 15 pF |
| | Keep ON LED current (I_{FT}) | At I_{ON} | Typical | — | — | — |
| Max. | | | 4 mA ($I_{ON}=100$ mA) | 4 mA ($I_{ON}=100$ mA) | 4 mA ($I_{ON}=100$ mA) | |
| Output | ON-resistance (R_{ON}) | $I_F=5$ mA | Typical | 2 Ω ($I_{ON}=250$ mA) | 1.0 Ω ($I_{ON}=120$ mA) | 10 Ω ($I_{ON}=120$ mA) |
| | | | Max. | 3 Ω ($I_{ON}=250$ mA) | 1.5 Ω ($I_{ON}=120$ mA) | 15 Ω ($I_{ON}=120$ mA) |
| | OFF-state leakage current (I_{LEAK}) | At V_{OFF} | Max. | 1.0 μ A | 1.0 μ A | 1.0 μ A |
| | Capacitance | C_{OFF} | Typical | 5.0 pF | 10 pF | 1.0 pF |
| | | | Max. | 7.0 pF | 14 pF | 2.0 pF |
| Transfer characteristics | I/O capacitance | ($C_{I/O}$) | Typical | 0.8 pF | 0.8 pF | 0.8 pF |
| | I/O resistance | ($R_{I/O}$) | Min. | 1000 M Ω | 1000 M Ω | 1000 M Ω |
| | Operate time | (t_{ON}) | Max. | 0.5 ms | 0.5 ms | 0.5 ms |
| | Release time | (t_{OFF}) | Max. | 0.5 ms | 0.5 ms | 0.5 ms |

Optimum Operating Conditions

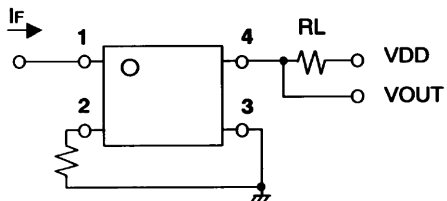
| Parameter | Comments and conditions | | G3VM-41GR4, G3VM-41GR4(TR) | G3VM-41GR5, G3VM-41GR5(TR) | G3VM-41GR6, G3VM-41GR6(TR) |
|-----------------------------|-------------------------|---------|-------------------------------------|-------------------------------------|-------------------------------------|
| Output voltage strength | V_{DD} | Max. | 32 V | 32 V | 32 V |
| Operate LED forward current | I_F | Min. | 10 mA | 10 mA | 10 mA |
| | | Typical | — | — | — |
| | | Max. | 30 mA | 30 mA | 30 mA |
| Continuous load current | I_O | Max. | 250 mA | 300 mA | 120 mA |
| Ambient temperature | T_A | | -25 $^\circ$ to 60 $^\circ\text{C}$ | -25 $^\circ$ to 60 $^\circ\text{C}$ | -25 $^\circ$ to 60 $^\circ\text{C}$ |

Dimensions

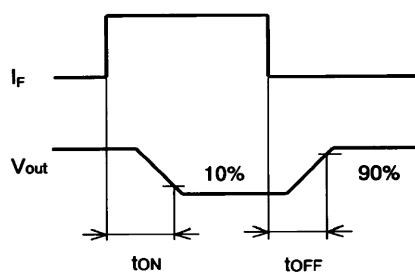
| Item | G3VM-41GR4, G3VM-41GR4(TR) | G3VM-41GR5, G3VM-41GR5(TR) | G3VM-41GR6, G3VM-41GR6(TR) |
|------------|-------------------------------|-------------------------------|-------------------------------|
| Dimensions | See pages 96, 100 | See pages 96, 100 | See pages 96, 100 |

Connections

G3VM-41GR4, -41GR4(TR), -41GR5, -41GR5(TR), - 41GR6, -41GR6(TR)



Timing Chart



G3VM-61G1(TR), -81G1(TR), -S1(TR)

Maximum Rating

| Parameter | | Comments and conditions | | G3VM-61G1, G3VM-61G1(TR) | G3VM-81G1, G3VM-81G1(TR) | G3VM-S1, G3VM-S1(TR) |
|-------------------------------|--------------------------------|---------------------------------------|---------|---------------------------------------|---------------------------------------|---------------------------------------|
| Contact form/no. of terminals | | — | | 1 Form A/4 pins | 1 Form A/4 pins | 1 Form A/4 pins |
| Input (LED) | LED forward current | I_F | Typical | 50 mA | 50 mA | 50 mA |
| | | I_{FP} (100 μ s pulse, 100 pps) | Max. | 1 A | 1 A | 1 A |
| | Forward current derating | $T_a \geq 25^\circ\text{C}$ | | -0.5 mA/ $^\circ\text{C}$ | -0.5 mA/ $^\circ\text{C}$ | -0.5 mA/ $^\circ\text{C}$ |
| | Reverse voltage | V_R | Max. | 5 V | 5 V | 5 V |
| | Junction temperature (T_J) | | | 125 $^\circ\text{C}$ | 125 $^\circ\text{C}$ | 125 $^\circ\text{C}$ |
| Output (Detector) | Output voltage strength | V_{OFF} | | 60 V | 80 V | 60 V |
| | Continuous load current | I_O | | 400 mA | 350 mA | 400 mA |
| | ON-state current derating | $T_a \geq 25^\circ\text{C}$ | | -4.0 mA/ $^\circ\text{C}$ | -3.5 mA/ $^\circ\text{C}$ | -4.0 mA/ $^\circ\text{C}$ |
| | Junction temperature (T_J) | | | 125 $^\circ\text{C}$ | 125 $^\circ\text{C}$ | 125 $^\circ\text{C}$ |
| Dielectric strength | | $V_{I/O}$ for 1 minute min. | | 1500 VAC | 1500 VAC | 1500 VAC |
| Temperature | Ambient | T_a with no icing | | -40 $^\circ$ to +85 $^\circ\text{C}$ | -40 $^\circ$ to +85 $^\circ\text{C}$ | -40 $^\circ$ to +85 $^\circ\text{C}$ |
| | Storage | T_{stg} with no icing | | -55 $^\circ$ to +125 $^\circ\text{C}$ | -55 $^\circ$ to +125 $^\circ\text{C}$ | -55 $^\circ$ to +125 $^\circ\text{C}$ |

Electrical Characteristics

| Parameter | | Comments and conditions | | G3VM-61G1, G3VM-61G1(TR) | G3VM-81G1, G3VM-81G1(TR) | G3VM-S1, G3VM-S1(TR) |
|--------------------------|--|----------------------------|---------|-------------------------------|---------------------------------|-------------------------------|
| Input | LED forward voltage (V_F) | $I_F=10$ mA | Min. | 1.0 V | 1.0 V | 1.0 V |
| | | | Typical | 1.15 V | 1.15 V | 1.15 V |
| | | | Max. | 1.3 V | 1.3 V | 1.3 V |
| | Reverse current | I_R | Max. | 10 μ A | 10 μ A | 10 μ A |
| | Reverse voltage | V_R | Max. | 5 V | 5 V | 5 V |
| | Capacitance (C_T) | $V = 0$; freq. = 1 MHz | Typical | 30 pF | 15 pF | 30 pF |
| | Keep ON LED current (I_{FT}) | At I_O | Typical | 1.6 mA | 1.0 mA | 1 mA |
| | | | Max. | 3 mA | 4.0 mA | 3 mA |
| Output | ON-resistance (R_{ON}) | $I_F=5$ mA | Typical | 1 Ω ($I_{ON}=400$ mA) | 1.0 Ω ($I_{ON}=350$ mA) | 1 Ω ($I_{ON}=400$ mA) |
| | | | Max. | 2 Ω ($I_{ON}=400$ mA) | 1.2 Ω ($I_{ON}=350$ mA) | 2 Ω ($I_{ON}=400$ mA) |
| | OFF-state leakage current (I_{LEAK}) | At V_{OFF} | Max. | 1.0 μ A | 1.0 μ A | 1.0 μ A |
| | Limit current | (I_{LIM}) | Min. | — | — | — |
| Max. | | | — | — | — | |
| Transfer characteristics | I/O capacitance | $(C_{I/O})$ | Typical | 0.8 pF | 0.8 pF | 0.8 pF |
| | I/O resistance | $(R_{I/O})$ | Min. | 1000 M Ω | 1000 M Ω | 1000 M Ω |
| | Operate time | (t_{ON}) | Max. | 2.0 ms | 0.5 ms | 2.0 ms |
| | Release time | (t_{OFF}) | Max. | 0.5 ms | 0.5 ms | 1.0 ms |

Optimum Operating Conditions

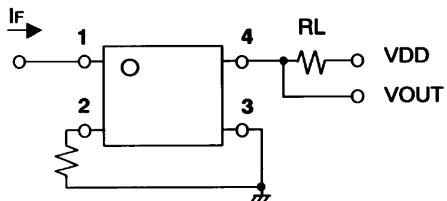
| Parameter | | Comments and conditions | | G3VM-61G1, G3VM-61G1(TR) | G3VM-81G1, G3VM-81G1(TR) | G3VM-S1, G3VM-S1(TR) |
|-----------------------------|-------|-------------------------|--------|-------------------------------------|-------------------------------------|-------------------------------------|
| Output voltage strength | | V_{DD} | Max. | 48 V | 64 V | 48 V |
| Operate LED forward current | I_F | Min. | 5 mA | 5 mA | 5 mA | 5 mA |
| | | Typical | 7.5 mA | — | 7.5 mA | |
| | | Max. | 25 mA | 30 mA | 25 mA | |
| Continuous load current | | I_O | Max. | 400 mA | 350 mA | 300 mA |
| Ambient temperature | | T_A | | -20 $^\circ$ to 65 $^\circ\text{C}$ | -25 $^\circ$ to 60 $^\circ\text{C}$ | -20 $^\circ$ to 65 $^\circ\text{C}$ |

Dimensions

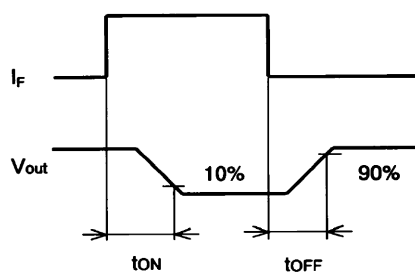
| Item | G3VM-61G1, G3VM-61G1(TR) | G3VM-81G1, G3VM-81G1(TR) | G3VM-S1, G3VM-S1(TR) |
|------------|-----------------------------|-----------------------------|-------------------------|
| Dimensions | See pages 96, 100 | See pages 96, 100 | See pages 96, 100 |

Connections

G3VM-61G1, -61G1(TR), -81G1, -81G1(TR), -S1, -S1(TR)



Timing Chart



G3VM-S2(TR), -S5(TR), -351H(TR)

Maximum Rating

| Parameter | | Comments and conditions | | G3VM-S2, G3VM-S2(TR) | G3VM-S5, G3VM-S5(TR) | G3VM-351H, G3VM-351H(TR) |
|-------------------------------|--------------------------------|---------------------------------------|---------|---------------------------------------|---------------------------------------|--|
| Contact form/no. of terminals | | — | | 1 Form A/4 pins | 1 Form A/4 pins | 1 Form A/6 pins |
| Input (LED) | LED forward current | I_F | Typical | 50 mA | 50 mA | 50 mA |
| | | I_{FP} (100 μ s pulse, 100 pps) | Max. | 1 A | 1 A | 1 A |
| | Forward current derating | $T_a \geq 25^\circ\text{C}$ | | -0.5 mA/ $^\circ\text{C}$ | -0.5 mA/ $^\circ\text{C}$ | -0.5 mA/ $^\circ\text{C}$ |
| | Reverse voltage | V_R | Max. | 5 V | 5 V | 5 V |
| | Junction temperature (T_J) | | | 125 $^\circ\text{C}$ | 125 $^\circ\text{C}$ | 125 $^\circ\text{C}$ |
| Output (Detector) | Output voltage strength | V_{OFF} | | 350 V | 200 V | 350 V |
| | Continuous load current | I_O | | 120 mA | 150 mA | 110 mA (for A) 110 mA (for B) 220 mA (for C) |
| | ON-state current derating | $T_a \geq 25^\circ\text{C}$ | | -1.2 mA/ $^\circ\text{C}$ | -1.5 mA/ $^\circ\text{C}$ | -1.1 mA/ $^\circ\text{C}$ (for A) |
| | Junction temperature (T_J) | | | 125 $^\circ\text{C}$ | 125 $^\circ\text{C}$ | 125 $^\circ\text{C}$ |
| Dielectric strength | | $V_{i/O}$ for 1 minute min. | | 1500 VAC | 1500 VAC | 1500 VAC |
| Temperature | Ambient | T_a with no icing | | -40 $^\circ$ to +85 $^\circ\text{C}$ | -40 $^\circ$ to +85 $^\circ\text{C}$ | -40 $^\circ$ to +85 $^\circ\text{C}$ |
| | Storage | T_{stg} with no icing | | -55 $^\circ$ to +125 $^\circ\text{C}$ | -55 $^\circ$ to +100 $^\circ\text{C}$ | -55 $^\circ$ to +125 $^\circ\text{C}$ |

Electrical Characteristics

| Parameter | | Comments and conditions | | G3VM-S2, G3VM-S2(TR) | G3VM-S5, G3VM-S5(TR) | G3VM-351H, G3VM-351H(TR) |
|----------------------------------|--|-------------------------|---------|--------------------------------|-------------------------------|---|
| Input | LED forward voltage (V_F) | $I_F=10$ mA | Min. | 1.0 V | 1.0 V | 1.0 V |
| | | | Typical | 1.15 V | 1.15 V | 1.15 V |
| | | | Max. | 1.3 V | 1.3 V | 1.3 V |
| | Reverse current | I_R | | 10 μ A | 10 μ A | 10 μ A |
| | Reverse voltage | V_R | Max. | 5 V | 5 V | 5 V |
| | Capacitance (CT) | $V = 0$; freq. = 1 MHz | | 30 pF | 30 pF | 30 pF |
| Keep ON LED current (I_{FT}) | At I_O | Typical | 1 mA | 1 mA | 1 mA | |
| | | Max. | 3 mA | 3 mA | 3 mA | |
| Output | ON-resistance (R_{ON}) | $I_F=5$ mA | Typical | 22 Ω ($I_{ON}=120$ mA) | 5 Ω ($I_{ON}=150$ mA) | 35 Ω ($I_{ON}=110$ mA) for connection A |
| | | | Max. | 35 Ω ($I_{ON}=120$ mA) | 8 Ω ($I_{ON}=150$ mA) | 50 Ω ($I_{ON}=110$ mA) for connection A |
| | | | Typical | — | — | 28 Ω ($I_{ON}=110$ mA) for connection B |
| | | | Max. | — | — | 40 Ω ($I_{ON}=110$ mA) for connection B |
| | | | Typical | — | — | 14 Ω ($I_{ON}=220$ mA) for connection C |
| | | | Max. | — | — | 20 Ω ($I_{ON}=220$ mA) for connection C |
| | OFF-state leakage current (I_{LEAK}) | At V_{OFF} | Max. | 1.0 μ A | 1.0 μ A | 1.0 μ A |
| Transfer characteristics | I/O capacitance | ($C_{i/O}$) | Typical | 0.8 pF | 0.8 pF | 0.8 pF |
| | I/O resistance | ($R_{i/O}$) | Min. | 1000 M Ω | 1000 M Ω | 1000 M Ω |
| | Operate time | (t_{ON}) | Max. | 1.0 ms | 1.5 ms | 1.0 ms |
| | Release time | (t_{OFF}) | Max. | 1.0 ms | 1.0 ms | 1.0 ms |

Optimum Operating Conditions

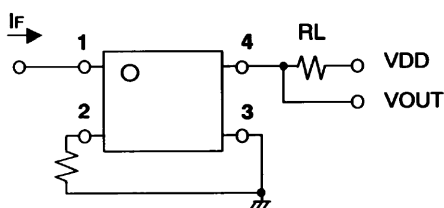
| Parameter | Comments and conditions | | G3VM-S2, G3VM-S2(TR) | G3VM-S5, G3VM-S5(TR) | G3VM-351H, G3VM-351H(TR) |
|-----------------------------|-------------------------|---------|-------------------------|-------------------------|-----------------------------|
| Output voltage strength | V_{DD} | Max. | 280 V | 200 V | 280 V |
| Operate LED forward current | I_F | Min. | 5 mA | 5 mA | 5 mA |
| | | Typical | 7.5 mA | 7.5 mA | 10 mA |
| | | Max. | 25 mA | 25 mA | 25 mA |
| Continuous load current | I_O | Max. | 100 mA | 120 mA | 100 mA |
| Ambient temperature | T_A | | -20° to 65°C | -20° to 65°C | -20° to 65°C |

Dimensions

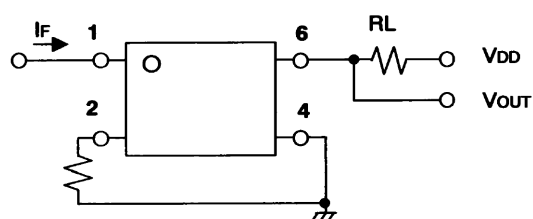
| Item | G3VM-S2, G3VM-S2(TR) | G3VM-S5, G3VM-S5(TR) | G3VM-351H, G3VM-351H(TR) |
|------------|-------------------------|-------------------------|-----------------------------|
| Dimensions | See pages 96, 100 | See pages 96, 100 | See pages 96, 101 |

Connections

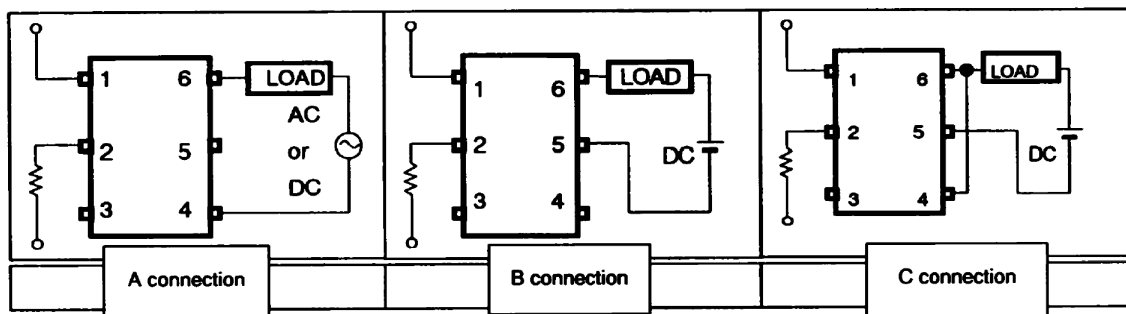
G3VM-S2, -S2(TR), -S5, -S5(TR)



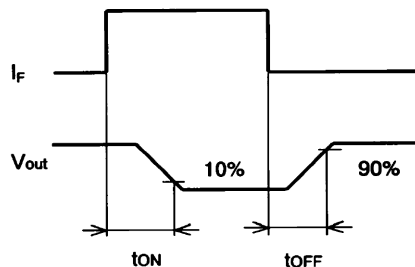
G3VM-351H, -351H(TR)



G3VM-351H, -351H(TR)



Timing Chart



G3VM-353H(TR), -61H1(TR), -81HR(TR)

Maximum Rating

| Parameter | | Comments and conditions | | G3VM-353H, G3VM-353H(TR) | G3VM-61H1, G3VM-61H1(TR) | G3VM-81HR, G3VM-81HR(TR) |
|-------------------------------|--------------------------------|---------------------------------------|---------|--|--|---------------------------------------|
| Contact form/no. of terminals | | — | | 1 Form B/6 pins | 1 Form A/6 pins | 1 Form A/6 pins |
| Input (LED) | LED forward current | I_F | Typical | 50 mA | 50 mA | 50 mA |
| | | I_{FP} (100 μ s pulse, 100 pps) | Max. | 1 A | 1 A | 1 A |
| | Forward current derating | $T_a \geq 25^\circ\text{C}$ | | -0.5 mA/ $^\circ\text{C}$ | -0.5 mA/ $^\circ\text{C}$ | -0.5 mA/ $^\circ\text{C}$ |
| | Reverse voltage | V_R | Max. | 5 V | 5 V | 5 V |
| | Junction temperature (T_J) | | | 125 $^\circ\text{C}$ | 125 $^\circ\text{C}$ | 125 $^\circ\text{C}$ |
| Output (Detector) | Output voltage strength | V_{OFF} | | 350 V | 60 V | 80 V |
| | Continuous load current | I_O | | 120 mA (for A) 120 mA (for B) 240 mA (for C) | 400 mA (for A) 400 mA (for B) 800 mA (for C) | 1250 mA |
| | ON-state current derating | $T_a \geq 25^\circ\text{C}$ | | -1.2 mA/ $^\circ\text{C}$ | -4.0 mA/ $^\circ\text{C}$ | -12.5 mA/ $^\circ\text{C}$ |
| | Junction temperature (T_J) | | | 125 $^\circ\text{C}$ | 125 $^\circ\text{C}$ | 125 $^\circ\text{C}$ |
| Dielectric strength | | V_{IO} for 1 minute min. | | 1500 VAC | 1500 VAC | 1500 VAC |
| Temperature | Ambient | T_a with no icing | | -40 $^\circ$ to +85 $^\circ\text{C}$ | -40 $^\circ$ to +85 $^\circ\text{C}$ | -20 $^\circ$ to +85 $^\circ\text{C}$ |
| | Storage | T_{stg} with no icing | | -55 $^\circ$ to +125 $^\circ\text{C}$ | -55 $^\circ$ to +125 $^\circ\text{C}$ | -40 $^\circ$ to +125 $^\circ\text{C}$ |

Electrical Characteristics

| Parameter | | Comments and conditions | | G3VM-353H, G3VM-353H(TR) | G3VM-61H1, G3VM-61H1(TR) | G3VM-81HR, G3VM-81HR(TR) |
|----------------------------------|--|----------------------------|---------|---|---|-----------------------------------|
| Input | LED forward voltage (V_F) | $I_F=10$ mA | Min. | 1.0 V | 1.0 V | 1.0 V |
| | | | Typical | 1.15 V | 1.15 V | 1.15 V |
| | | | Max. | 1.3 V | 1.3 V | 1.3 V |
| | Reverse current | I_R | Max. | 10 μ A | 10 μ A | 10 μ A |
| | Reverse voltage | V_R | Max. | 5 V | 5 V | 5 V |
| | Capacitance (C_T) | $V = 0$; freq. = 1 MHz | | Typical | 30 pF | 30 pF |
| Keep ON LED current (I_{FT}) | At I_O | Typical | 1 mA | 1.6 mA | 2 mA | |
| | | Max. | 3 mA | 3 mA | 5 mA | |
| Output | ON-resistance (R_{ON}) | $I_F=5$ mA | Typical | 15 Ω ($I_{ON}=120$ mA) for connection A | 1 Ω ($I_{ON}=400$ mA) for connection A | 0.11 Ω ($I_{ON}=1250$ mA) |
| | | | Max. | 25 Ω ($I_{ON}=120$ mA) for connection A | 2 Ω ($I_{ON}=400$ mA) for connection A | 0.15 Ω ($I_{ON}=1250$ mA) |
| | | | Typical | 8 Ω ($I_{ON}=120$ mA) for connection B | 0.5 Ω ($I_{ON}=400$ mA) for connection B | — |
| | | | Max. | 14 Ω ($I_{ON}=120$ mA) for connection B | 1 Ω ($I_{ON}=400$ mA) for connection B | — |
| | | | Typical | 4 Ω ($I_{ON}=240$ mA) for connection C | 0.25 Ω ($I_{ON}=800$ mA) for connection C | — |
| | | | Max. | — | — | — |
| | OFF-state leakage current (I_{LEAK}) | At V_{OFF} | Max. | 1.0 μ A | 1.0 μ A | 1.5 μ A |
| Transfer characteristics | I/O capacitance | (C_{IO}) | Typical | 0.8 pF | 0.8 pF | 0.8 pF |
| | I/O resistance | (R_{IO}) | Min. | 1000 M Ω | 1000 M Ω | 1000 M Ω |
| | Operate time | (t_{ON}) | Max. | 1.0 ms | 2.0 ms | 3.0 ms |
| | Release time | (t_{OFF}) | Max. | 3.0 ms | 0.5 ms | 1.0 ms |

Optimum Operating Conditions

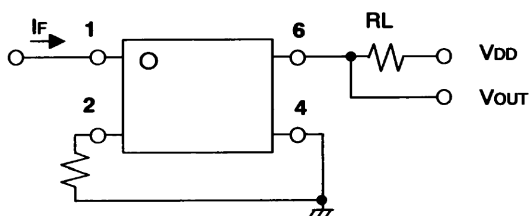
| Parameter | Comments and conditions | G3VM-353H, G3VM-353H(TR) | | | G3VM-61H1, G3VM-61H1(TR) | | G3VM-81HR, G3VM-81HR(TR) | |
|-----------------------------|-------------------------|--------------------------|------|---------|--------------------------|------|--------------------------|--------------|
| | | Max. | Min. | Typical | Max. | Max. | Max. | Max. |
| Output voltage strength | V_{DD} | 280 V | | | 48V | | | 64 V |
| Operate LED forward current | I_F | 5 mA | | | 5 mA | | | 5 mA |
| | | — | | | 7.5 mA | | | — |
| | | 25 mA | | | 25 mA | | | 30 mA |
| Continuous load current | I_O | 120 mA | | | 400 mA | | | 1250 mA |
| Ambient temperature | T_A | -20° to 65°C | | | -20° to 65°C | | | -25° to 60°C |

Dimensions

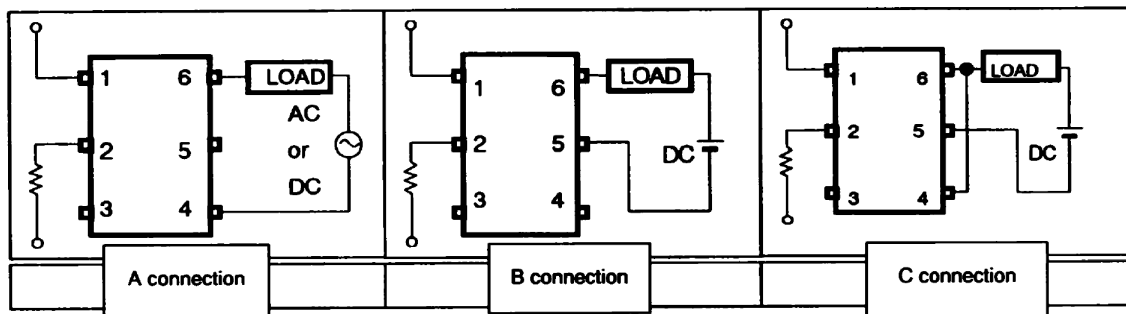
| Item | G3VM-353H, G3VM-353H(TR) | G3VM-61H1, G3VM-61H1(TR) | G3VM-81HR, G3VM-81HR(TR) |
|------------|--------------------------|--------------------------|--------------------------|
| Dimensions | See pages 96, 101 | See pages 96, 101 | See pages 96, 101 |

Connections

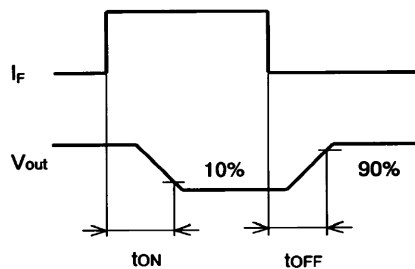
G3VM-353H, -353H(TR), -61H1, -61H1(TR), -81HR, -81HR(TR)



G3VM-353H, -353H(TR), -61H1, -61H1(TR), -81HR, -81HR(TR)



Timing Chart



G3VM-S3(TR), -355JR(TR), -352J(TR)

Maximum Rating

| Parameter | | Comments and conditions | | G3VM-S3, G3VM-S3(TR) | G3VM-355JR, G3VM-355JR(TR) | G3VM-352J, G3VM-352J(TR) |
|-------------------------------|--------------------------------|--|---------|--|---------------------------------------|---------------------------------------|
| Contact form/no. of terminals | | — | | 1 Form A/6 pins | 1FormA+1FormB/ 8 pins | 2 Form A/8 pins |
| Input (LED) | LED forward current | I_F | Typical | 50 mA | 50 mA | 50 mA |
| | | I_{FP} (100 μ s pulse, 100 pps) | Max. | 1 A | 1 A | 1 A |
| | Forward current derating | $T_a \geq 25^\circ\text{C}$ | | -0.5 mA/ $^\circ\text{C}$ | -0.5 mA/ $^\circ\text{C}$ | -0.5 mA/ $^\circ\text{C}$ |
| | Reverse voltage | V_R | Max. | 5 V | 5 V | 5 V |
| | Junction temperature (T_J) | | | 125 $^\circ\text{C}$ | 125 $^\circ\text{C}$ | 125 $^\circ\text{C}$ |
| Output (Detector) | Output voltage strength | V_{OFF} | | 350 V | 350 V | 350 V |
| | Continuous load current | I_O | | 120 mA (for A) 120 mA (for B) 160 mA (for C) | 120 mA | 110 mA |
| | ON-state current derating | $T_a \geq 25^\circ\text{C}$ | | -1.2 mA/ $^\circ\text{C}$ | -1.2 mA/ $^\circ\text{C}$ | -1.1 mA/ $^\circ\text{C}$ |
| | Junction temperature (T_J) | | | 125 $^\circ\text{C}$ | 125 $^\circ\text{C}$ | 125 $^\circ\text{C}$ |
| Dielectric strength | | V_{IO} for 1 minute min. | | 1500 VAC | 2500 VAC | 1500 VAC |
| Temperature | Ambient | T_a with no icing | | -20 $^\circ$ to +85 $^\circ\text{C}$ | -40 $^\circ$ to +85 $^\circ\text{C}$ | -40 $^\circ$ to +85 $^\circ\text{C}$ |
| | Storage | T_{stg} with no icing | | -55 $^\circ$ to +125 $^\circ\text{C}$ | -55 $^\circ$ to +125 $^\circ\text{C}$ | -55 $^\circ$ to +125 $^\circ\text{C}$ |

Electrical Characteristics

| Parameter | | Comments and conditions | | G3VM-S3, G3VM-S3(TR) | G3VM-355JR, G3VM-355JR(TR) | G3VM-352J, G3VM-352J(TR) |
|--------------------------|--|--|---------|--|--------------------------------|---------------------------------------|
| Input | LED forward voltage (V_F) | $I_F=10$ mA | Min. | 1.0 V | 1.0 V | 1.0 V |
| | | | Typical | 1.15 V | 1.15 V | 1.15 V |
| | | | Max. | 1.3 V | 1.3 V | 1.3 V |
| | Reverse current | I_R | Max. | 10 μ A | 10 μ A | 10 μ A |
| | Reverse voltage | V_R | Max. | 5 V | 5 V | 5 V |
| | Capacitance (C_T) | $V = 0$; freq. = 1 MHz | Typical | 30 pF | 30 pF | 30 pF |
| | Keep ON LED current (I_{FT}) | At I_O | Typical | — | 1 mA | 1 mA |
| | | | Max. | 3 mA | 3 mA | 3 mA |
| Output | ON-resistance (R_{ON}) | $I_F=5$ mA | Typical | 22 Ω ($I_{ON}=120$ mA) for connection A | 15 Ω ($I_{ON}=120$ mA) | 35 Ω (25 Ω , $t < 1$ s) |
| | | | Max. | 35 Ω ($I_{ON}=120$ mA) for connection A | 25 Ω ($I_{ON}=120$ mA) | 50 Ω (35 Ω , $t < 1$ s) |
| | | | Typical | — | — | — |
| | | | Max. | 25 Ω ($I_{ON}=120$ mA) for connection B | — | — |
| | | | Typical | — | — | — |
| | Max. | 15 Ω ($I_{ON}=160$ mA) for connection C | — | — | | |
| | OFF-state leakage current (I_{LEAK}) | At V_{OFF} | Max. | 1.0 μ A | 1.0 μ A | 1.0 μ A |
| Transfer characteristics | I/O capacitance | $(C_{I/O})$ | Typical | 0.8 pF | 0.8 pF | 0.8 pF |
| | I/O resistance | $(R_{I/O})$ | Min. | 1000 M Ω | 1000 M Ω | 1000 M Ω |
| | Operate time | (t_{ON}) | Max. | 1.0 ms | 1.0 ms | 1.0 ms |
| | Release time | (t_{OFF}) | Max. | 1.0 ms | 1.0 ms | 1.0 ms |

Optimum Operating Conditions

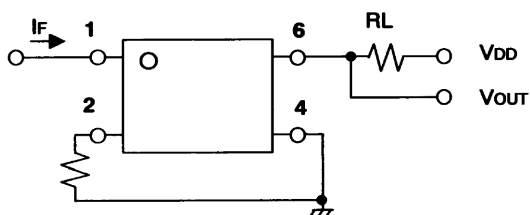
| Parameter | Comments and conditions | | G3VM-S3, G3VM-S3(TR) | G3VM-355JR, G3VM-355JR(TR) | G3VM-352J, G3VM-352J(TR) |
|-----------------------------|-------------------------|---------|-------------------------|-------------------------------|-----------------------------|
| Output voltage strength | V_{DD} | Max. | 280 V | 280V | 280 V |
| Operate LED forward current | I_F | Min. | 5 mA | 5 mA | 5 mA |
| | | Typical | 7.5 mA | — | 10 mA |
| | | Max. | 25 mA | 25 mA | 25 mA |
| Continuous load current | I_O | Max. | 100 mA | 120 mA | 100 mA |
| Ambient temperature | T_A | | -20° to 65°C | -20° to 65°C | -20° to 65°C |

Dimensions

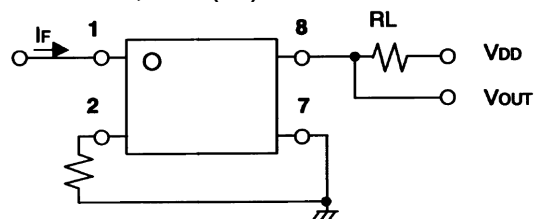
| Item | G3VM-S3, G3VM-S3(TR) | G3VM-355JR, G3VM-355JR(TR) | G3VM-352J, G3VM-352J(TR) |
|------------|-------------------------|-------------------------------|-----------------------------|
| Dimensions | See pages 96, 101 | See pages 97, 102 | See pages 97, 102 |

Connections

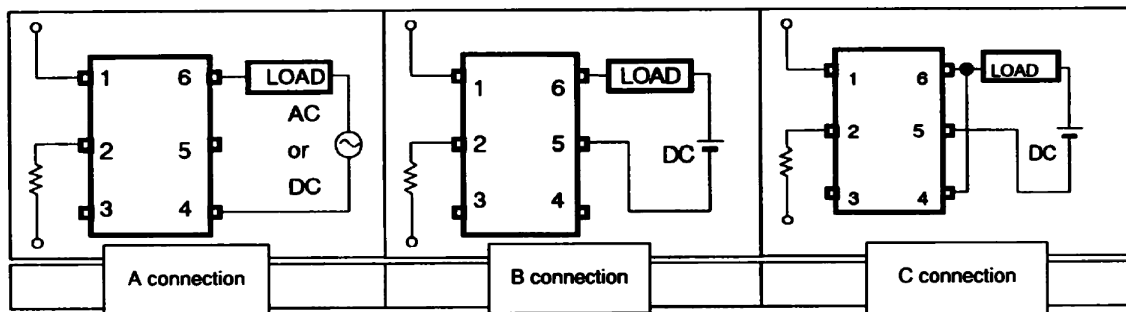
G3VM-S3, -S3(TR)



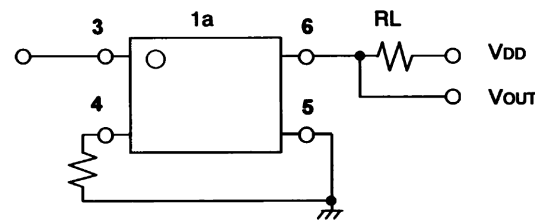
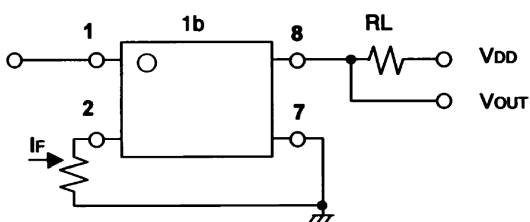
G3VM-352J, -352J(TR)



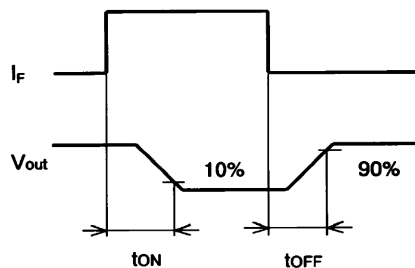
G3VM-S3, -S3(TR)



G3VM-355JR, -355JR(TR)



Timing Chart



G3VM-402J(TR), -62J1(TR), -SW(TR)

Maximum Rating

| Parameter | | Comments and conditions | | G3VM-402J, G3VM-402J(TR) | G3VM-62J1, G3VM-62J1(TR) | G3VM-SW, G3VM-SW(TR) |
|-------------------------------|--------------------------------|---------------------------------------|---------|---------------------------------------|---------------------------------------|---------------------------------------|
| Contact form/no. of terminals | | — | | 2 Form A/8 pins | 2 Form A/8 pins | 2 Form A/ 8 pins |
| Input (LED) | LED forward current | I_F | Typical | 50 mA | 50 mA | 50 mA |
| | | I_{FP} (100 μ s pulse, 100 pps) | Max. | 1 A | 1 A | 1 A |
| | Forward current derating | $T_a \geq 25^\circ\text{C}$ | | -0.5 mA/ $^\circ\text{C}$ | -0.5 mA/ $^\circ\text{C}$ | -0.5 mA/ $^\circ\text{C}$ |
| | Reverse voltage | V_R | Max. | 5 V | 5 V | 5 V |
| | Junction temperature (T_J) | | | 125 $^\circ\text{C}$ | 125 $^\circ\text{C}$ | 125 $^\circ\text{C}$ |
| Output (Detector) | Output voltage strength | V_{OFF} | | 400 V | 60 V | 350 V, DC or AC peak |
| | Continuous load current | I_O | | 120 mA | 400 mA | 100 mA (1+2 ch) 120 mA (1 ch) |
| | ON-state current derating | $T_a \geq 25^\circ\text{C}$ | | -1.2 mA/ $^\circ\text{C}$ | -4.0 mA/ $^\circ\text{C}$ | -1.2 mA/ $^\circ\text{C}$ (1 ch) |
| | Junction temperature (T_J) | | | 125 $^\circ\text{C}$ | 125 $^\circ\text{C}$ | 125 $^\circ\text{C}$ |
| Dielectric strength | | $V_{I/O}$ for 1 minute min. | | 1500 VAC | 1500 VAC | 1500 VAC |
| Temperature | Ambient | T_a with no icing | | -40 $^\circ$ to +85 $^\circ\text{C}$ | -40 $^\circ$ to +85 $^\circ\text{C}$ | -40 $^\circ$ to +85 $^\circ\text{C}$ |
| | Storage | T_{stg} with no icing | | -55 $^\circ$ to +125 $^\circ\text{C}$ | -55 $^\circ$ to +125 $^\circ\text{C}$ | -55 $^\circ$ to +125 $^\circ\text{C}$ |

Electrical Characteristics

| Parameter | | Comments and conditions | | G3VM-402J, G3VM-402J(TR) | G3VM-62J1, G3VM-62J1(TR) | G3VM-SW, G3VM-SW(TR) |
|----------------------------------|--|----------------------------|---------|--------------------------------|---------------------------------|--------------------------------|
| Input | LED forward voltage (V_F) | $I_F=10$ mA | Min. | 1.0 V | 1.0 V | 1.0 V |
| | | | Typical | 1.15 V | 1.15 V | 1.15 V |
| | | | Max. | 1.3 V | 1.3 V | 1.3 V |
| | Reverse current | I_R | Max. | 10 μ A | 10 μ A | 10 μ A |
| | Reverse voltage | V_R | Max. | 5 V | 5 V | 5 V |
| | Capacitance (C_T) | $V = 0$; freq. = 1 MHz | | Typical | 30 pF | 30 pF |
| Keep ON LED current (I_{FT}) | At I_O | Typical | 1 mA | 1.6 mA | — | |
| | | Max. | 3 mA | 3 mA | 3 mA | |
| Output | ON-resistance (R_{ON}) | $I_F=5$ mA (1a) | Typical | 17 Ω ($I_{ON}=120$ mA) | 1.0 Ω ($I_{ON}=400$ mA) | 22 Ω ($I_{ON}=120$ mA) |
| | | | Max. | 35 Ω ($I_{ON}=120$ mA) | 2.0 Ω ($I_{ON}=400$ mA) | 35 Ω ($I_{ON}=120$ mA) |
| | | $I_F=0$ mA (1b) | Typical | — | — | — |
| | | | Max. | — | — | — |
| | OFF-state leakage current (I_{LEAK}) | At V_{OFF} | Max. | 1.0 μ A | 1.0 μ A | 1.0 μ A |
| | Capacitance | C_{OFF} | Typical | — | — | — |
| Transfer characteristics | I/O capacitance | $(C_{I/O})$ | Typical | 0.8 pF | 0.8 pF | 0.8 pF |
| | I/O resistance | $(R_{I/O})$ | Min. | 1000 M Ω | 1000 M Ω | 1000 M Ω |
| | Operate time | (t_{ON}) | Max. | 1.0 ms | 2.0 ms | 1.0 ms |
| | Release time | (t_{OFF}) | Max. | 1.0 ms | 0.5 ms | 1.0 ms |

Optimum Operating Conditions

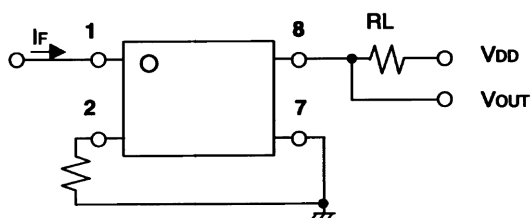
| Parameter | Comments and conditions | | G3VM-402J, G3VM-402J(TR) | G3VM-62J1, G3VM-62J1(TR) | G3VM-SW, G3VM-SW(TR) |
|-----------------------------|-------------------------|---------|-----------------------------|-----------------------------|-------------------------|
| Output voltage strength | V_{DD} | Max. | 320 V | 48 V | 280 V |
| Operate LED forward current | I_F | Min. | 5 mA | 5 mA | 5 mA |
| | | Typical | 7.5 mA | 7.5 mA | 7.5 mA |
| | | Max. | 25 mA | 25 mA | 25 mA |
| Continuous load current | I_O | Max. | 120 mA | 400 mA | 100 mA |
| Ambient temperature | T_A | | -20° to 65°C | -20° to 65°C | -20° to 65°C |

Dimensions

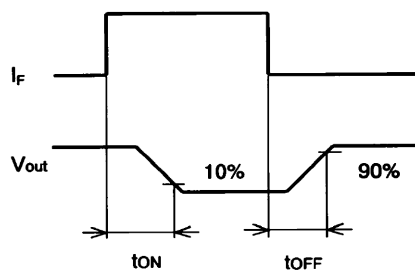
| Item | G3VM-402J, G3VM-402J(TR) | G3VM-62J1, G3VM-62J1(TR) | G3VM-SW, G3VM-SW(TR) |
|------------|-----------------------------|-----------------------------|-------------------------|
| Dimensions | See pages 97, 102 | See pages 97, 102 | See pages 97, 102 |

Connections

G3VM-402J, -402J(TR), -62J1, -62J1(TR), -SW, -SW(TR)



Timing Chart



G3VM-SY(TR), -354J(TR)

Maximum Rating

| Parameter | | Comments and conditions | | G3VM-SY, G3VM-SY(TR) | G3VM-354J, G3VM-354J(TR) |
|-------------------------------|--------------------------------|---------------------------------------|---------|---------------------------------------|---------------------------------------|
| Contact form/no. of terminals | | — | | 2 Form A/8 pins | 2 Form B/8 pins |
| Input (LED) | LED forward current | I_F | Typical | 50 mA | 50 mA |
| | | I_{FP} (100 μ s pulse, 100 pps) | Max. | 1 A | 1 A |
| | Forward current derating | $T_a \geq 25^\circ\text{C}$ | | -0.5 mA/ $^\circ\text{C}$ | -0.5 mA/ $^\circ\text{C}$ |
| | Reverse voltage | V_R | Max. | 5 V | 5 V |
| | Junction temperature (T_J) | | | 125 $^\circ\text{C}$ | 125 $^\circ\text{C}$ |
| Output (Detector) | Output voltage strength | V_{OFF} | | 60 V | 350 V |
| | Continuous load current | I_O | | 200 mA (1+2 ch) 300 mA (1 ch) | 120 mA |
| | ON-state current derating | $T_a \geq 25^\circ\text{C}$ | | -3.0 mA/ $^\circ\text{C}$ (1 ch) | -1.2 mA/ $^\circ\text{C}$ |
| | Junction temperature (T_J) | | | 125 $^\circ\text{C}$ | 125 $^\circ\text{C}$ |
| Dielectric strength | | $V_{I/O}$ for 1 minute min. | | 1500 VAC | 1500 VAC |
| Temperature | Ambient | T_a with no icing | | -20 $^\circ$ to +85 $^\circ\text{C}$ | -40 $^\circ$ to +85 $^\circ\text{C}$ |
| | Storage | T_{stg} with no icing | | -55 $^\circ$ to +125 $^\circ\text{C}$ | -55 $^\circ$ to +125 $^\circ\text{C}$ |

Electrical Characteristics

| Parameter | | Comments and conditions | | G3VM-SY, G3VM-SY(TR) | G3VM-354J, G3VM-354J(TR) |
|--------------------------|--|----------------------------|---------|---------------------------------|--------------------------------|
| Input | LED forward voltage (V_F) | $I_F=10$ mA | Min. | 1.0 V | 1.0 V |
| | | | Typical | 1.15 V | 1.15 V |
| | | | Max. | 1.3 V | 1.3 V |
| | Reverse current | I_R | Max. | 10 μ A | 10 μ A |
| | Reverse voltage | V_R | Max. | 5 V | 5 V |
| | Capacitance (C_T) | $V = 0$; freq. = 1 MHz | Typical | 30 pF | 30 pF |
| | Keep ON LED current (I_{FT}) | At I_O | Typical | — | 1 mA |
| Max. | | | 3 mA | 3 mA | |
| Output | ON-resistance (R_{ON}) | $I_F=5$ mA | Typical | 1.4 Ω ($I_{ON}=300$ mA) | 15 Ω ($I_{ON}=120$ mA) |
| | | | Max. | 2.0 Ω ($I_{ON}=300$ mA) | 25 Ω ($I_{ON}=120$ mA) |
| | OFF-state leakage current (I_{LEAK}) | At V_{OFF} | Max. | 1.0 μ A | 1.0 μ A |
| | Capacitance | C_{OFF} | Typical | — | — |
| Max. | | | — | — | |
| Transfer characteristics | I/O capacitance | ($C_{I/O}$) | Typical | 0.8 pF | 0.8 pF |
| | I/O resistance | ($R_{I/O}$) | Min. | 1000 M Ω | 1000 M Ω |
| | Operate time | (t_{ON}) | Max. | 2.0 ms | 1.0 ms |
| | Release time | (t_{OFF}) | Max. | 1.0 ms | 3.0 ms |

Optimum Operating Conditions

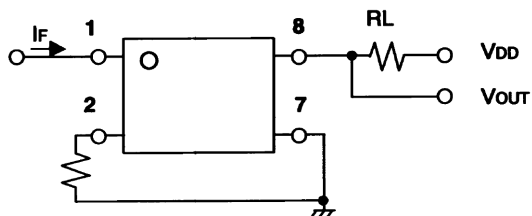
| Parameter | | Comments and conditions | | G3VM-SY, G3VM-SY(TR) | G3VM-354J, G3VM-354J(TR) |
|-----------------------------|-------|-------------------------|--------|-------------------------------------|-------------------------------------|
| Output voltage strength | | V_{DD} | Max. | 48 V | 280 V |
| Operate LED forward current | I_F | Min. | 5 mA | 5 mA | |
| | | Typical | 10 mA | — | |
| | | Max. | 25 mA | 25 mA | |
| Continuous load current | I_O | Max. | 200 mA | 120 mA | |
| Ambient temperature | | T_A | | -20 $^\circ$ to 65 $^\circ\text{C}$ | -20 $^\circ$ to 65 $^\circ\text{C}$ |

Dimensions

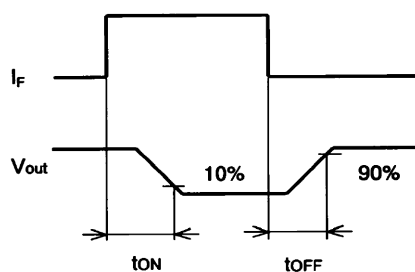
| Item | G3VM-SY, G3VM-SY(TR) | G3VM-354J, G3VM-354J(TR) |
|------------|-------------------------|-----------------------------|
| Dimensions | See pages 97, 102 | See pages 97, 102 |

Connections

G3VM-SY, -SY(TR), -354J, -354J(TR)



Timing Chart



G3VM-21LR, -21LR1, -41LR3

Maximum Rating

| Parameter | | Comments and conditions | | G3VM-21LR | G3VM-21LR1 | G3VM-41LR3 |
|-------------------------------|--------------------------------|---------------------------------------|---------|---------------------------------------|---------------------------------------|---------------------------------------|
| Contact form/no. of terminals | | — | | 1 Form A/4 pins | 1 Form A/4 pins | 1 Form A/4 pins |
| Input (LED) | LED forward current | I_F | Typical | 50 mA | 50 mA | 50 mA |
| | | I_{FP} (100 μ s pulse, 100 pps) | Max. | 1 A | 1 A | 1 A |
| | Forward current derating | $T_a \geq 25^\circ\text{C}$ | | -0.5 mA/ $^\circ\text{C}$ | -0.5 mA/ $^\circ\text{C}$ | -0.5 mA/ $^\circ\text{C}$ |
| | Reverse voltage | V_R | Max. | 5 V | 5 V | 5 V |
| | Junction temperature (T_j) | | | 125 $^\circ\text{C}$ | 125 $^\circ\text{C}$ | 125 $^\circ\text{C}$ |
| Output (Detector) | Output voltage strength | V_{OFF} | | 20 V | 20 V | 40 V |
| | Continuous load current | I_O | | 160 mA | 450 mA | 80 mA |
| | ON-state current derating | $T_a \geq 25^\circ\text{C}$ | | -1.6 mA/ $^\circ\text{C}$ | -4.5 mA/ $^\circ\text{C}$ | -0.8 mA/ $^\circ\text{C}$ |
| | Junction temperature (T_j) | | | 125 $^\circ\text{C}$ | 125 $^\circ\text{C}$ | 125 $^\circ\text{C}$ |
| Dielectric strength | | V_{IO} for 1 minute min. | | 1500 VAC | 1500 VAC | 1500 VAC |
| Temperature | Ambient | T_a with no icing | | -20 $^\circ$ to +85 $^\circ\text{C}$ | -20 $^\circ$ to +85 $^\circ\text{C}$ | -20 $^\circ$ to +85 $^\circ\text{C}$ |
| | Storage | T_{stg} with no icing | | -40 $^\circ$ to +125 $^\circ\text{C}$ | -40 $^\circ$ to +125 $^\circ\text{C}$ | -40 $^\circ$ to +100 $^\circ\text{C}$ |

Electrical Characteristics

| Parameter | | Comments and conditions | | G3VM-21LR | G3VM-21LR1 | G3VM-41LR3 | |
|----------------------------------|--|----------------------------|---------|------------------------------|-----------------------------------|-----------------------|-----------------|
| Input | LED forward voltage (V_F) | $I_F=10$ mA | Min. | 1.0 V | 1.0 V | 1.0 V | |
| | | | Typical | 1.15 V | 1.15 V | 1.15 V | |
| | | | Max. | 1.3 V | 1.3 V | 1.3 V | |
| | Reverse current | I_R | Max. | 10 μ A | 10 μ A | 10 μ A | |
| | Reverse voltage | V_R | Max. | 5 V | 5 V | 5 V | |
| | Capacitance (C_T) | $V = 0$; freq. = 1 MHz | | Typical | 15 pF | 15 pF | 15 pF |
| Keep ON LED current (I_{FT}) | At I_O | | Typical | — | — | — | |
| | | | Max. | 4 mA ($I_O = 100$ mA) | 4 mA ($I_O = 100$ mA) | 4 mA ($I_O = 80$ mA) | |
| Output | ON-resistance (R_{ON}) | At I_{ON} $I_F=5$ mA | Typical | 5 Ω ($I_O = 160$ mA) | 0.8 Ω ($I_{ON} = 450$ mA) | 25 Ω | |
| | | | Max. | 8 Ω ($I_O = 160$ mA) | 1.2 Ω ($I_{ON} = 450$ mA) | 35 Ω | |
| | OFF-state leakage current (I_{LEAK}) | $V_{OFF} = 350$ V | | Max. | 1.0 nA | 1.0 nA | 1.0 nA |
| | OFF capacitance | C_{OFF} | | Min. | 1.0 pF | 5.0 pF | 0.6 pF |
| | | Max. | 2.5 pF | 12.0 pF | 1.4 pF | | |
| Transfer characteristics | I/O capacitance | (C_{IO}) | | Typical | 0.8 pF | 0.8 pF | 0.8 pF |
| | I/O resistance | (R_{IO}) | | Min. | 1000 M Ω | 1000 M Ω | 1000 M Ω |
| | Operate time | (t_{ON}) | | Max. | 0.5 ms | 0.5 ms | 1.0 ms |
| | Release time | (t_{OFF}) | | Max. | 0.5 ms | 0.5 ms | 1.0 ms |

Optimum Operating Conditions

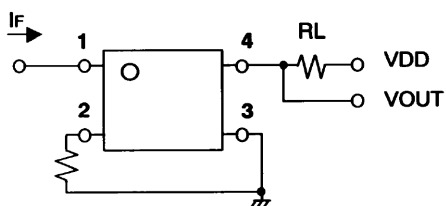
| Parameter | Comments and conditions | | G3VM-21LR | G3VM-21LR1 | G3VM-41LR3 |
|-----------------------------|-------------------------|---------|--------------|--------------|--------------|
| Output voltage strength | V_{DD} | Max. | 32 V | 20 V | 32 V |
| Operate LED forward current | I_F | Min. | 7 mA | 10 mA | 10 mA |
| | | Typical | — | — | — |
| | | Max. | 30 mA | 30 mA | 30 mA |
| Continuous load current | I_O | Max. | 160 mA | 450 mA | 80 mA |
| Ambient temperature | T_A | | -25° to 60°C | -25° to 60°C | -25° to 60°C |

Dimensions

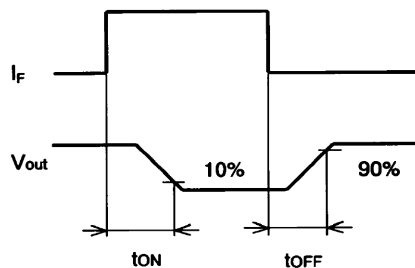
| Item | G3VM-21LR | G3VM-21LR1 | G3VM-41LR3 |
|------------|-------------|-------------|-------------|
| Dimensions | See page 97 | See page 97 | See page 97 |

Connections

G3VM-21LR, -21LR1, -41LR3



Timing Chart



G3VM-41LR4, -41LR5, -41LR6

Maximum Rating

| Parameter | | Comments and conditions | G3VM-41LR4 | G3VM-41LR5 | G3VM-41LR6 |
|-------------------------------|--------------------------------|--|---------------------------------------|---------------------------------------|---------------------------------------|
| Contact form/no. of terminals | | — | 1 Form A/4 pins | 1 Form A/4 pins | 1 Form A/4 pins |
| Input (LED) | LED forward current | I_F Typical | 50 mA | 50 mA | 50 mA |
| | | I_{FP} (100 μ s pulse, 100 pps) Max. | 1 A | 1 A | 1 A |
| | Forward current derating | $T_a \geq 25^\circ\text{C}$ | -0.5 mA/ $^\circ\text{C}$ | -0.5 mA/ $^\circ\text{C}$ | -0.5 mA/ $^\circ\text{C}$ |
| | Reverse voltage | V_R Max. | 5 V | 5 V | 5 V |
| | Junction temperature (T_j) | | 125 $^\circ\text{C}$ | 125 $^\circ\text{C}$ | 125 $^\circ\text{C}$ |
| Output (Detector) | Output voltage strength | V_{OFF} | 40 V | 40 V | 40 V |
| | Continuous load current | I_O | 250 mA | 300 mA | 120 mA |
| | ON-state current derating | $T_a \geq 25^\circ\text{C}$ | -2.5 mA/ $^\circ\text{C}$ | -3.0 mA/ $^\circ\text{C}$ | -1.2 mA/ $^\circ\text{C}$ |
| | Junction temperature (T_j) | | 125 $^\circ\text{C}$ | 125 $^\circ\text{C}$ | 125 $^\circ\text{C}$ |
| Dielectric strength | | $V_{I/O}$ for 1 minute min. | 1500 VAC | 1500 VAC | 1500 VAC |
| Temperature | Ambient | T_a with no icing | -20 $^\circ$ to +85 $^\circ\text{C}$ | -20 $^\circ$ to +85 $^\circ\text{C}$ | -20 $^\circ$ to +85 $^\circ\text{C}$ |
| | Storage | T_{stg} with no icing | -40 $^\circ$ to +125 $^\circ\text{C}$ | -40 $^\circ$ to +125 $^\circ\text{C}$ | -40 $^\circ$ to +125 $^\circ\text{C}$ |

Electrical Characteristics

| Parameter | | Comments and conditions | G3VM-41LR4 | G3VM-41LR5 | G3VM-41LR6 |
|--------------------------|--|---|-------------------------------|---------------------------------|--------------------------------|
| Input | LED forward voltage (V_F) | $I_F=10$ mA Min. | 1.0 V | 1.0 V | 1.0 V |
| | | Typical | 1.15 V | 1.15 V | 1.15 V |
| | | Max. | 1.3 V | 1.3 V | 1.3 V |
| | Reverse current | I_R Max. | 10 μ A | 10 μ A | 10 μ A |
| | Reverse voltage | V_R Max. | 5 V | 5 V | 5 V |
| | Capacitance (C_T) | $V = 0$; freq. = 1 MHz | Typical | 15 pF | 15 pF |
| | Keep ON LED current (I_{FT}) | At I_{ON} Typical | — | — | — |
| | | Max. | 4 mA ($I_{ON}=100$ mA) | 4 mA ($I_{ON}=100$ mA) | 4 mA ($I_{ON}=100$ mA) |
| Output | ON-resistance (R_{ON}) | At I_O Typical | 2 Ω ($I_{ON}=250$ mA) | 1.0 Ω ($I_{ON}=300$ mA) | 10 Ω ($I_{ON}=120$ mA) |
| | | Max. | 3 Ω ($I_{ON}=250$ mA) | 1.5 Ω ($I_{ON}=300$ mA) | 15 Ω ($I_{ON}=120$ mA) |
| | OFF-state leakage current (I_{LEAK}) | At V_{OFF} Max. | 1.0 nA | 1.0 nA | 1.0 nA |
| | Limit current (I_{LIM}) | $I_F = 5$ mA, $V_{DD} = 5$ V, $t = 5$ ms Min. | 5 pF | 10 pF | 1.0 pF |
| | | Max. | 7 pF | 14 pF | 2.0 pF |
| Transfer characteristics | I/O capacitance | ($C_{I/O}$) Typical | 0.8 pF | 0.8 pF | 0.8 pF |
| | I/O resistance | ($R_{I/O}$) Min. | 1000 M Ω | 1000 M Ω | 1000 M Ω |
| | Operate time | (t_{ON}) Max. | 0.5 ms | 0.5 ms | 0.5 ms |
| | Release time | (t_{OFF}) Max. | 0.5 ms | 0.5 ms | 0.5 ms |

Optimum Operating Conditions

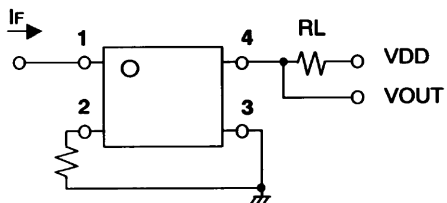
| Parameter | Comments and conditions | G3VM-41LR4 | G3VM-41LR5 | G3VM-41LR6 |
|-----------------------------|-------------------------|-------------------------------------|-------------------------------------|-------------------------------------|
| Output voltage strength | V_{DD} Max. | 32 V | 32 V | 32 V |
| Operate LED forward current | I_F | Min. | 10 mA | 10 mA |
| | | Typical | — | — |
| | | Max. | 30 mA | 30 mA |
| Continuous load current | I_O Max. | 250 mA | 300 mA | 120 mA |
| Ambient temperature | T_A | -25 $^\circ$ to 60 $^\circ\text{C}$ | -25 $^\circ$ to 60 $^\circ\text{C}$ | -25 $^\circ$ to 60 $^\circ\text{C}$ |

Dimensions

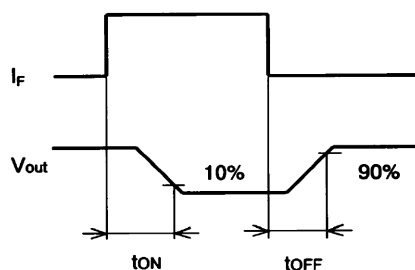
| Item | G3VM-41LR4 | G3VM-41LR5 | G3VM-41LR6 |
|------------|-------------|-------------|-------------|
| Dimensions | See page 97 | See page 97 | See page 97 |

Connections

G3VM-41LR, -41L5, -41LR6



Timing Chart

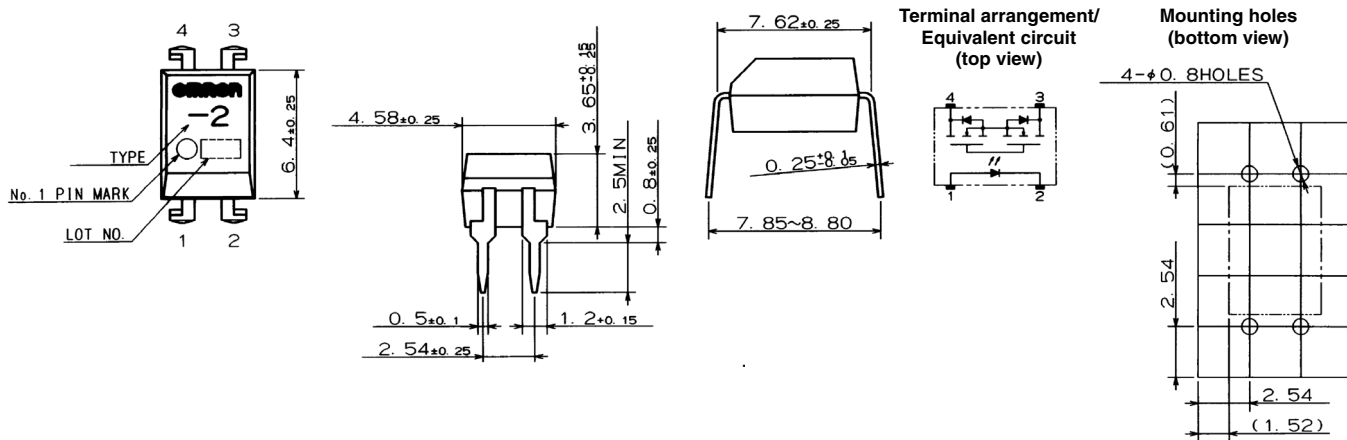


Dimensions

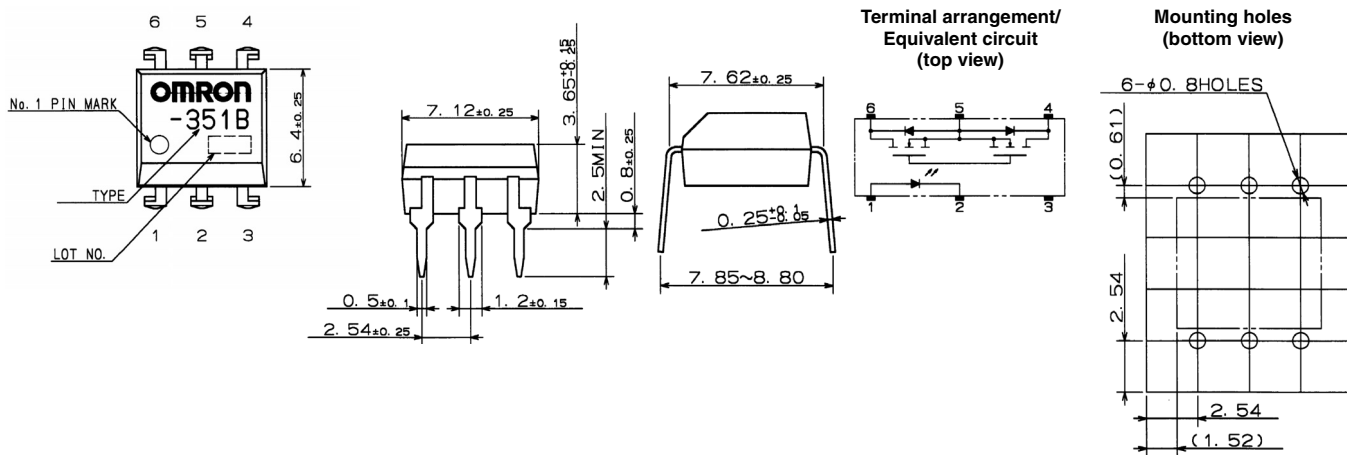
Unit: mm

■ PCB Through-Hole Models

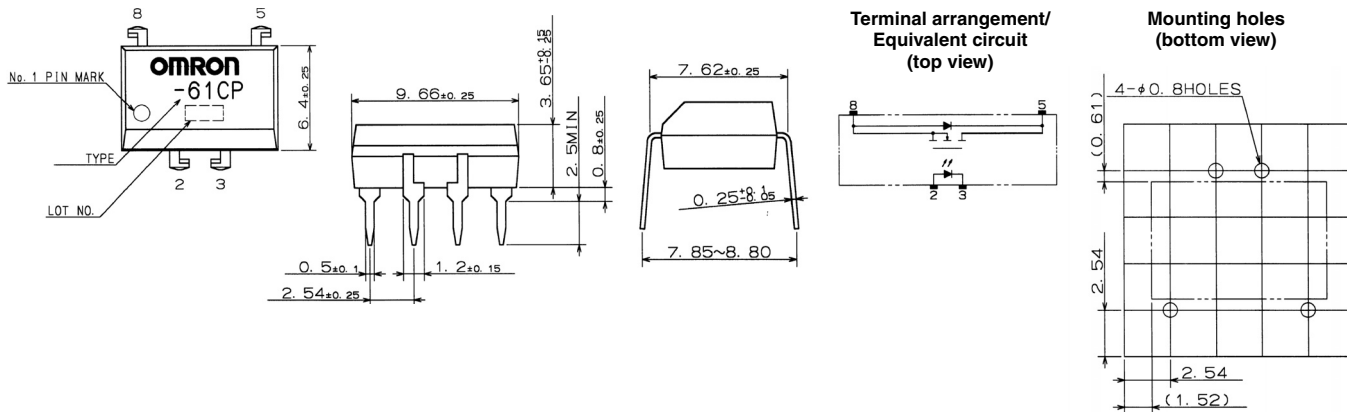
G3VM-2, G3VM-2L, G3VM-351A, G3VM-353A, G3VM-401A, G3VM-61A, G3VM-61A1



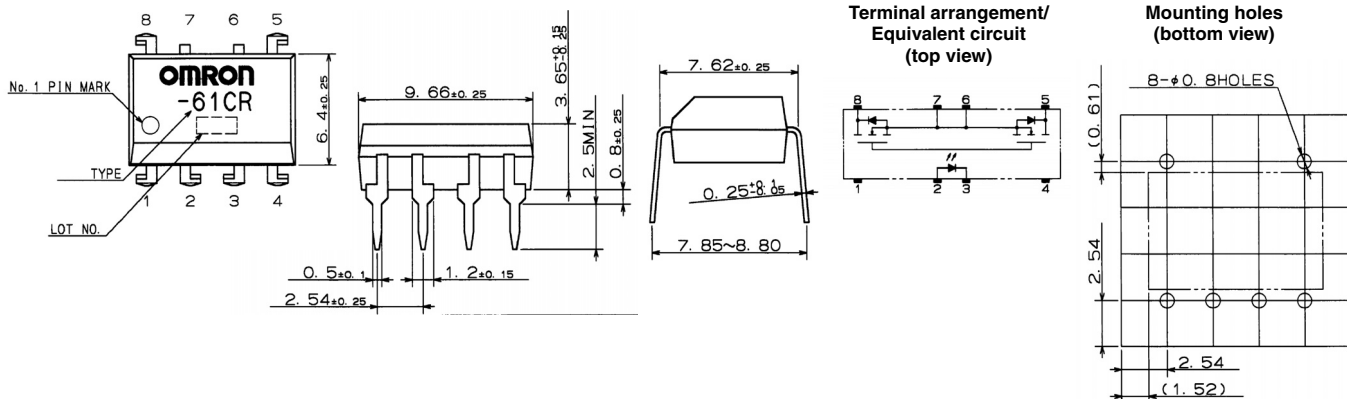
G3VM-351B, G3VM-353B, G3VM-3, G3VM-3L, G3VM-401B, G3VM-401BY, G3VM-601BY, G3VM-61B, G3VM-61B1, G3VM-V



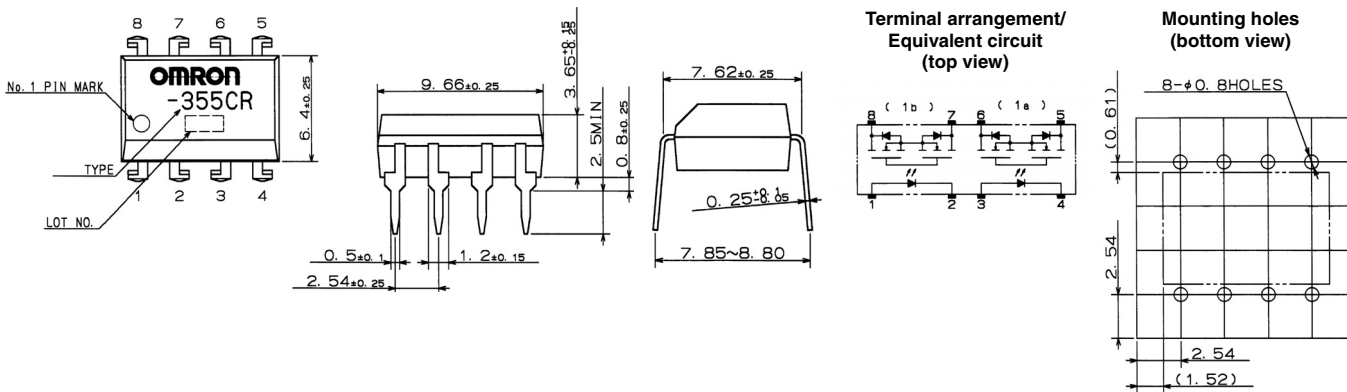
G3VM-61CP



G3VM-61CR



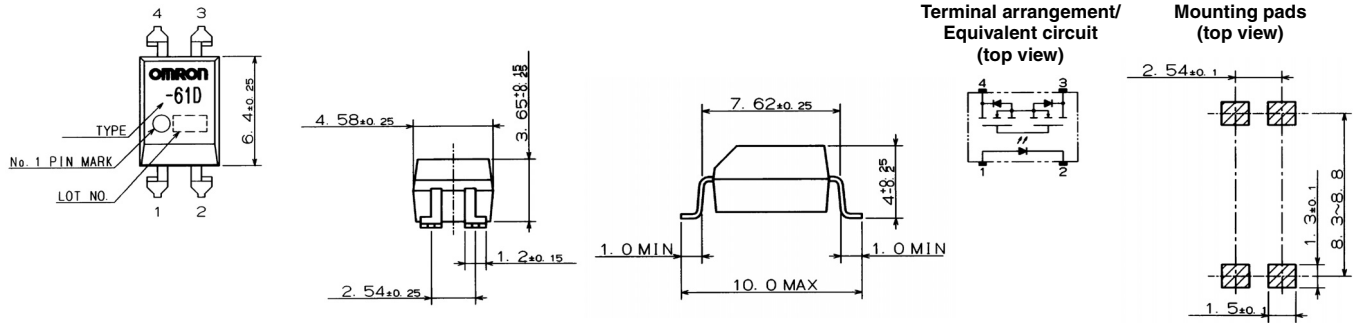
G3VM-355CR, G3VM-352C, G3VM-402C, G3VM-62C1, G3VM-W, G3VM-WL, G3VM-354C



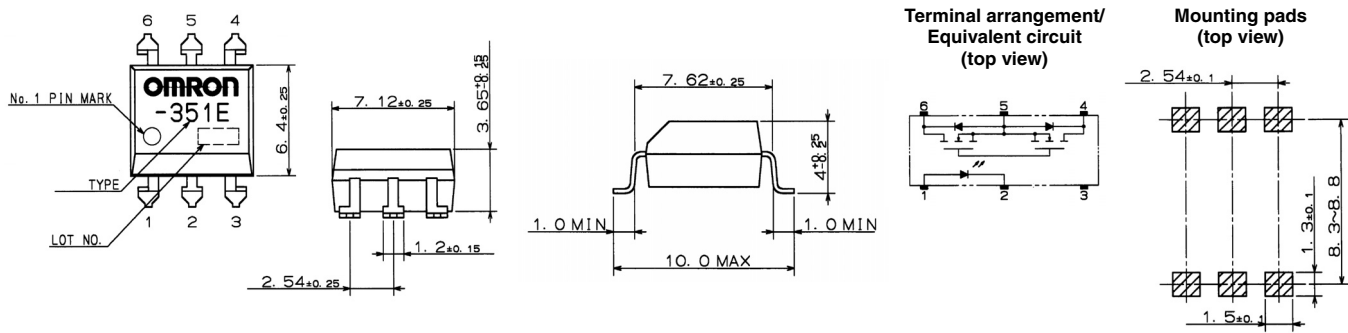
■ Surface Mount (SMT) Models

Dimensions also apply to SMT models with (TR) suffix indicating tape-and-reel packaging.

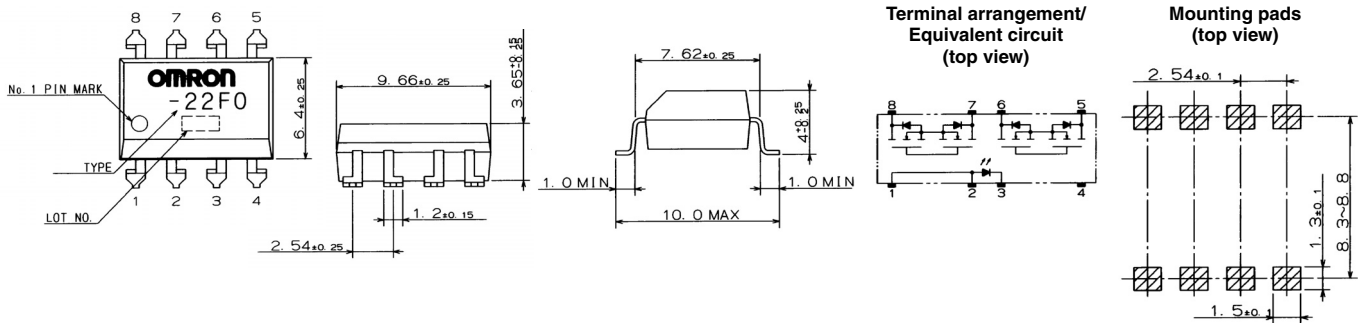
G3VM-2F, G3VM-2FL, G3VM-351D, G3VM-353D, G3VM-401D, G3VM-61D, G3VM-61D1



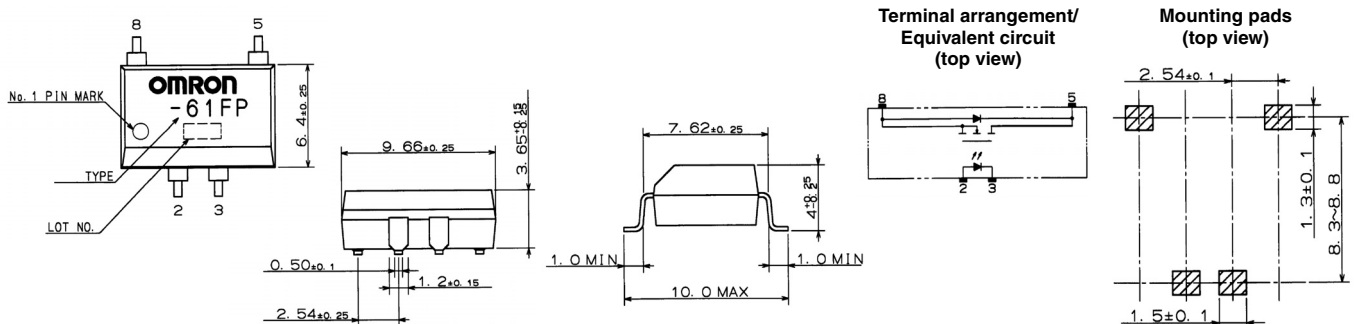
G3VM-351E, G3VM-353E, G3VM-3F, G3VM-3FL, G3VM-401E, G3VM-401EY, G3VM-601EY, G3VM-61E, G3VM-61E1, G3VM-VF



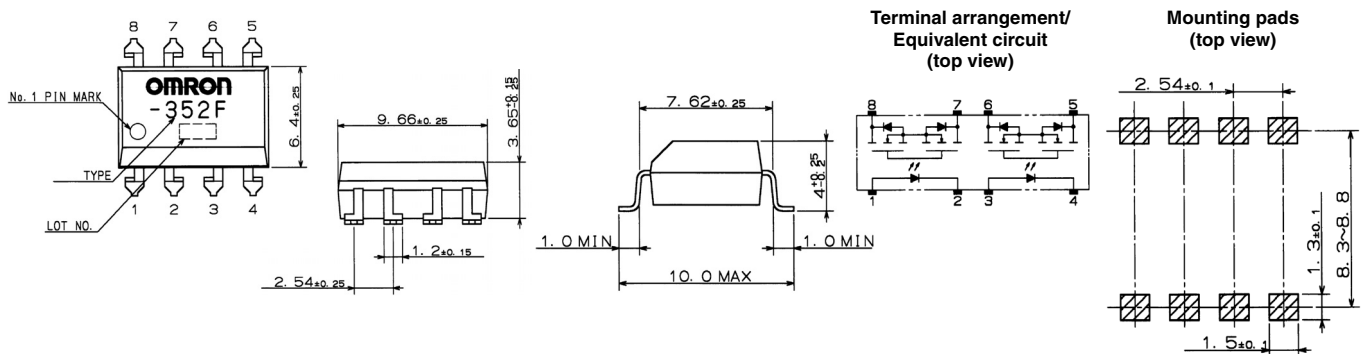
G3VM-22FO, G3VM-61FR



G3VM-61FP



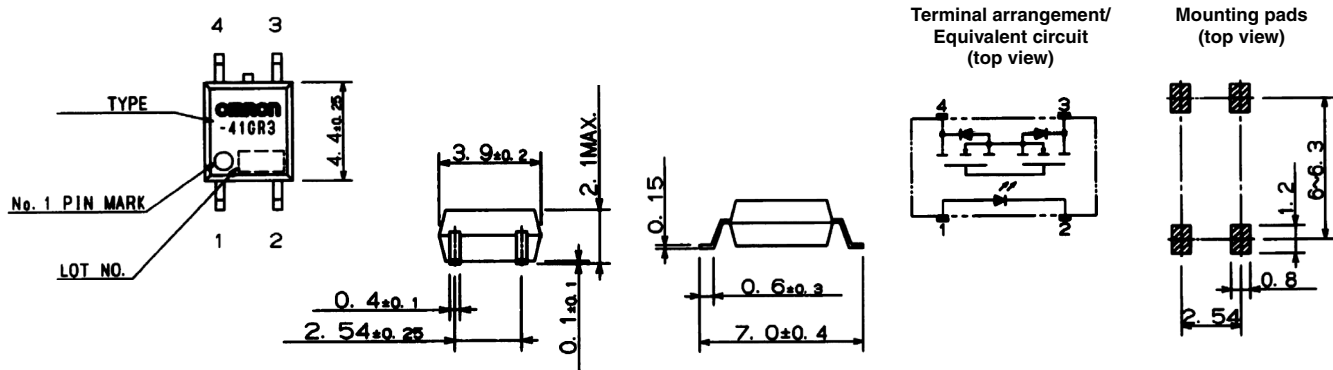
G3VM-355FR, G3VM-352F, G3VM-402F, G3VM-62F1, G3VM-WF, G3VM-WFL, G3VM-354F



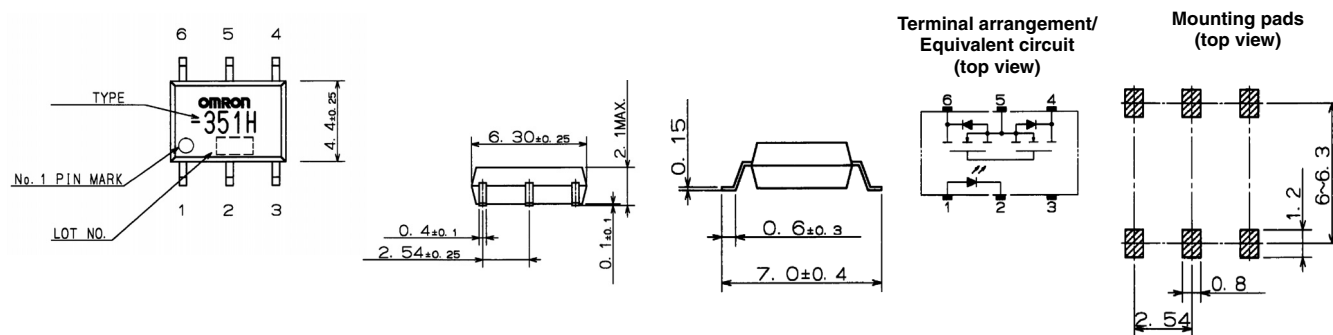
■ SOP Models

Dimensions also apply to SOP models with (TR) suffix indicating tape-and-reel packaging.

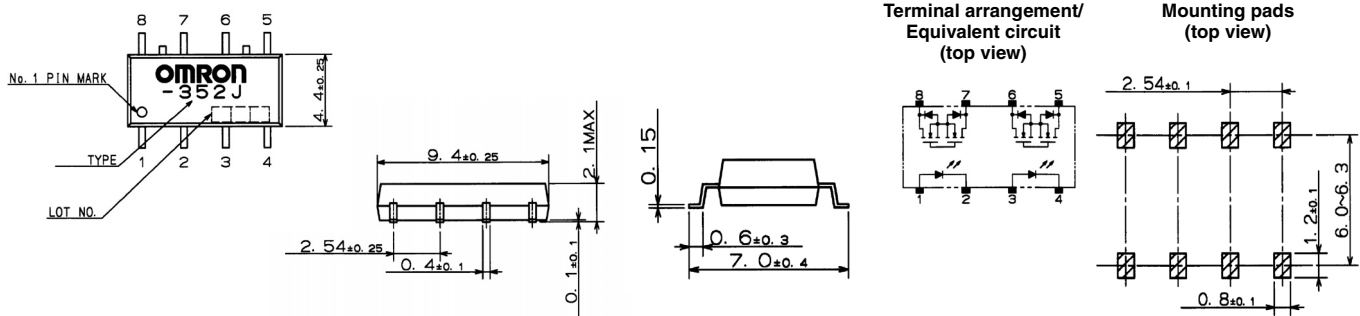
G3VM-21GR, G3VM-21GR1, G3VM-351G, G3VM-353G, G3VM-401G, G3VM-41GR3, G3VM-41GR4, G3VM-41GR5, G3VM-41GR6, G3VM-61G1, G3VM-81G1, G3VM-S1, G3VM-S2, G3VM-S5



G3VM-351H, G3VM-353H, G3VM-61H1, G3VM-81HR, G3VM-S3

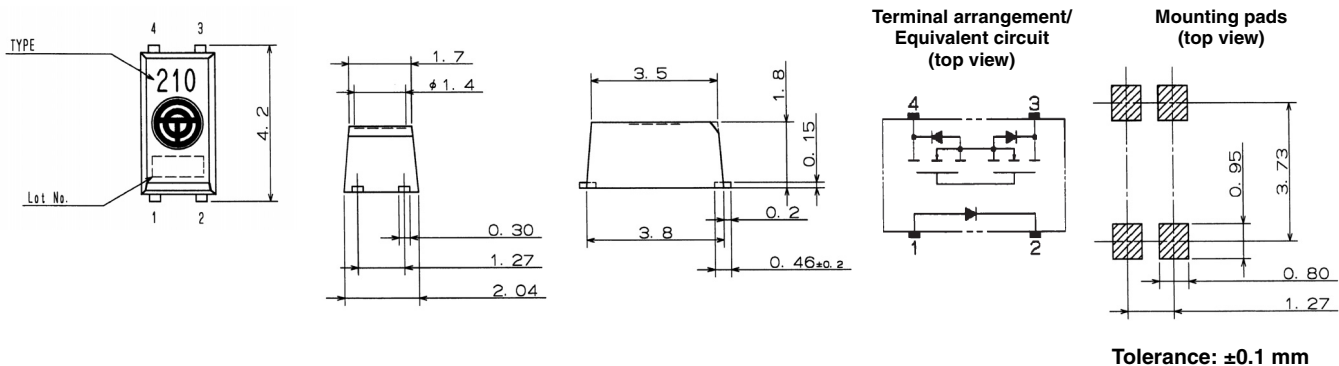


G3VM-352J, G3VM-354J, G3VM-355JR, G3VM-402J, G3VM-62J1, G3VM-SW, G3VM-SY



■ SSOP Models

G3VM-21LR, G3VM-21LR1, G3VM-41LR3, G3VM-41LR4, G3VM-41LR5, G3VM-41R6



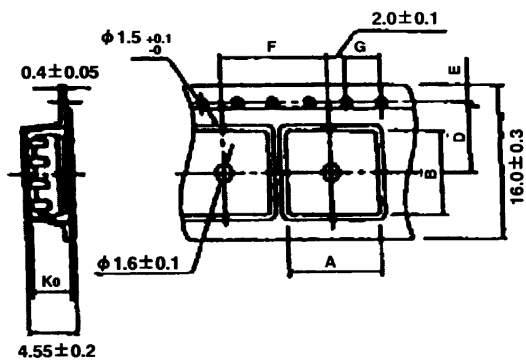
Tape-and-Reel Dimensions

Unit: mm

■ Surface Mount (SMT) Models

G3VM-2F(TR), G3VM-2FL(TR), G3VM-351D(TR), G3VM-353D(TR), G3VM-401D(TR), G3VM-61D(TR), G3VM-61D1(TR)

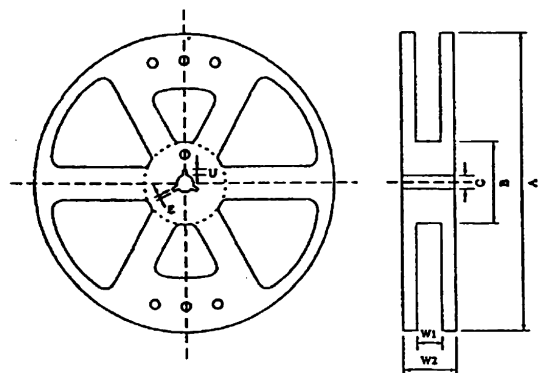
Type Figuration



(Unit: mm)
Tolerance: ±0.1

| Symbol | Dimension | Remarks |
|--------|-----------|--|
| A | 10.4 | — |
| B | 7.6 | — |
| K0 | 4.1 | Internal |
| F | 12.0 | Total Height $\begin{smallmatrix} +0.1 \\ -0.3 \end{smallmatrix}$ / 10 pitches |
| G | 4.0 | Total Height $\begin{smallmatrix} +0.1 \\ -0.3 \end{smallmatrix}$ / 10 pitches |
| E | 1.75 | From the edge to reel hole |
| D | 12.0 | From reel hole to center |

Reel Figuration



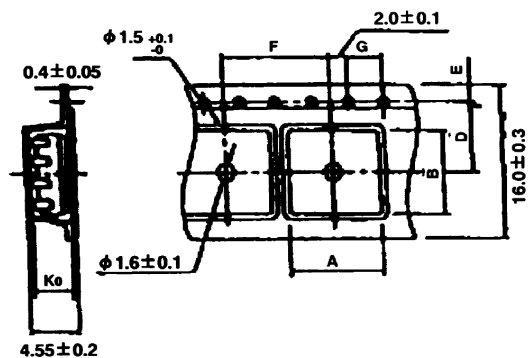
(Unit: mm)

| Symbol | Dimension |
|--------|-------------|
| A | φ 380 ± 2.0 |
| W1 | 17.5 ± 0.5 |
| W2 | 21.5 ± 1.0 |
| B | φ 80 ± 1.0 |
| C | φ 13 ± 0.5 |
| E | 2.0 ± 0.5 |
| U | 4.0 ± 0.5 |

G3VM-351E(TR), G3VM-353E(TR), G3VM-3F(TR), G3VM-3FL(TR), G3VM-401E(TR), G3VM-401EY(TR), G3VM-601EY(TR), G3VM-61E(TR), G3VM-61E1(TR), G3VM-VF(TR), G3VM-22FO(TR), G3VM-61FP(TR), G3VM-61FR(TR), G3VM-355FR(TR), G3VM-352F(TR), G3VM-402F(TR), G3VM-62F1(TR), G3VM-WF(TR), G3VM-WFL(TR), G3VM-354F(TR)

Type Figuration

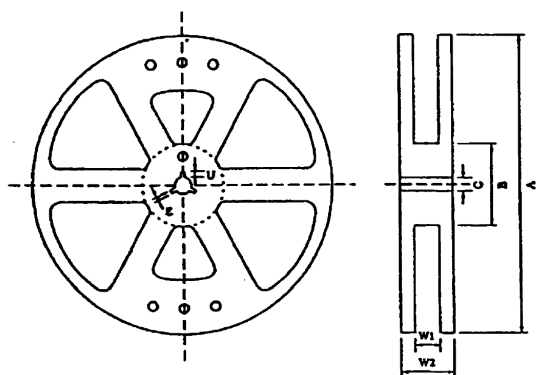
(Unit: mm)
Tolerance: ±0.1



| Symbol | Dimension | Remarks |
|--------|------------|---|
| A | 10.4 ± 0.1 | — |
| B | 10.1 ± 0.1 | — |
| K0 | 4.1 ± 0.1 | Internal |
| F | 12.0 ± 0.1 | Total Height ^{+0.1} / _{-0.3} / 10 pitches |
| G | 4.0 ± 0.1 | Total Height ^{+0.1} / _{-0.3} / 10 pitches |
| E | 1.75 ± 0.1 | From the edge to reel hole |
| D | 7.5 ± 0.1 | From reel hole to center |

Reel Figuration

(Unit: mm)

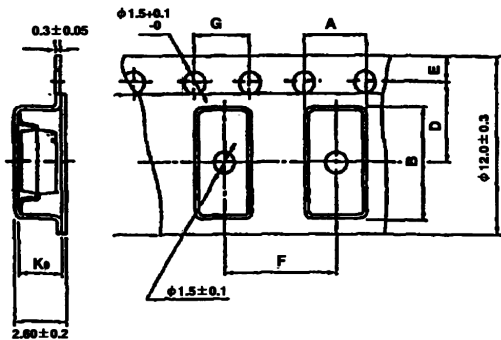


| Symbol | Dimension |
|--------|-------------|
| A | φ 380 ± 2.0 |
| W1 | 17.5 ± 0.5 |
| W2 | 21.5 ± 1.0 |
| B | φ 80 ± 1.0 |
| C | φ 13 ± 0.5 |
| E | 2.0 ± 0.5 |
| U | 4.0 ± 0.5 |

■ SOP Models

G3VM-21GR(TR), G3VM-21GR1(TR), G3VM-351G(TR), G3VM-353G(TR), G3VM-401G(TR), G3VM-41GR3(TR), G3VM-41GR4(TR), G3VM-41GR5(TR), G3VM-41GR6(TR), G3VM-61G1(TR), G3VM-81G1(TR), G3VM-S1(TR), G3VM-S2(TR), G3VM-S5(TR)

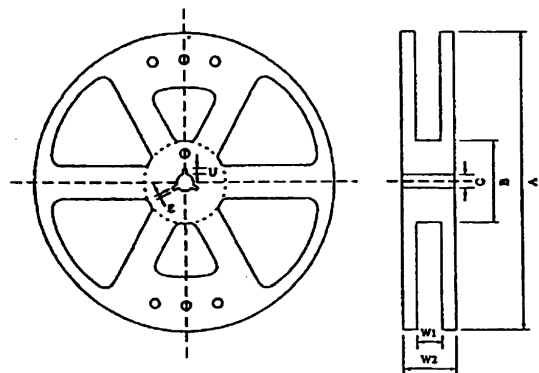
Type Figuration



(Unit: mm)
Tolerance: ±0.1

| Symbol | Dimension | Remarks |
|--------|------------|--|
| A | 4.3 ± 0.1 | — |
| B | 7.5 ± 0.1 | — |
| K0 | 2.4 ± 0.1 | Internal |
| F | 8.0 ± 0.1 | Total Height $\begin{smallmatrix} +0.1 \\ -0.3 \end{smallmatrix}$ / 10 pitches |
| G | 4.0 ± 0.1 | Total Height $\begin{smallmatrix} +0.1 \\ -0.3 \end{smallmatrix}$ / 10 pitches |
| E | 1.75 ± 0.1 | From the edge to reel hole |
| D | 5.5 ± 0.1 | From reel hole to center |

Reel Figuration



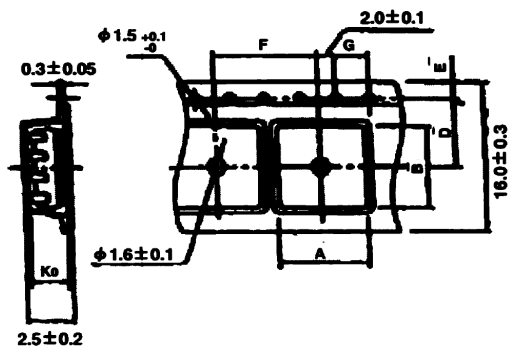
(Unit: mm)

| Symbol | Dimension |
|--------|-------------|
| A | φ 380 ± 2.0 |
| W1 | 17.5 ± 0.5 |
| W2 | 21.5 ± 1.0 |
| B | φ 80 ± 1.0 |
| C | φ 13 ± 0.5 |
| E | 2.0 ± 0.5 |
| U | 4.0 ± 0.5 |

G3VM-351H(TR), G3VM-353H(TR), G3VM-61H1(TR), G3VM-81HR(TR), G3VM-S3(TR)

Type Figuration

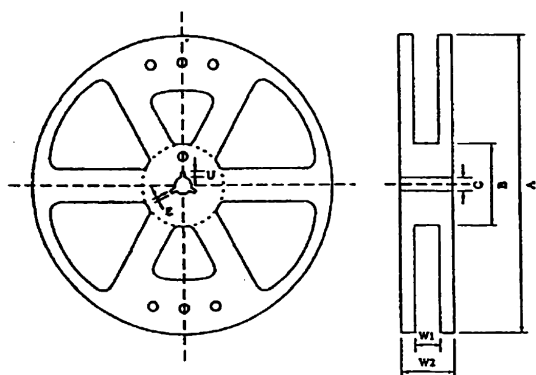
(Unit: mm)
Tolerance: ±0.1



| Symbol | Dimension | Remarks |
|--------|------------|---|
| A | 7.5 ± 0.1 | — |
| B | 6.7 ± 0.1 | — |
| K0 | 2.3 ± 0.1 | Internal |
| F | 12.0 ± 0.1 | Total Height ^{+0.1} / _{-0.3} / 10 pitches |
| G | 4.0 ± 0.1 | Total Height ^{+0.1} / _{-0.3} / 10 pitches |
| E | 1.75 ± 0.1 | From the edge to reel hole |
| D | 7.5 ± 0.1 | From reel hole to center |

Reel Figuration

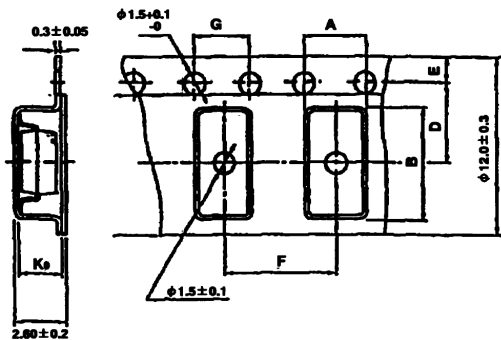
(Unit: mm)



| Symbol | Dimension |
|--------|-------------|
| A | φ 380 ± 2.0 |
| W1 | 17.5 ± 0.5 |
| W2 | 21.5 ± 1.0 |
| B | φ 80 ± 1.0 |
| C | φ 13 ± 0.5 |
| E | 2.0 ± 0.5 |
| U | 4.0 ± 0.5 |

G3VM-352J(TR), G3VM-354J(TR), G3VM-355JR(TR), G3VM-402J(TR), G3VM-62J1(TR), G3VM-SW(TR), G3VM-SY(TR)

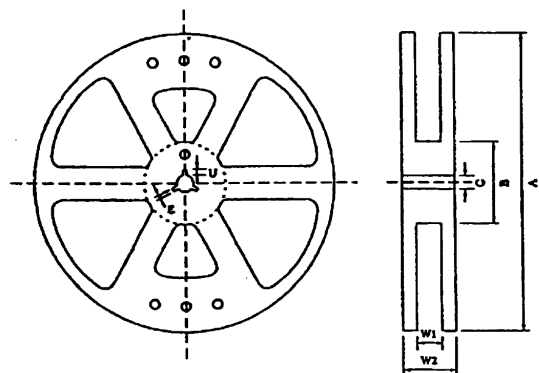
Type Figuration



(Unit: mm)
Tolerance: ±0.1

| Symbol | Dimension | Remarks |
|--------|------------|--|
| A | 7.5 ± 0.1 | — |
| B | 10.5 ± 0.1 | — |
| K0 | 2.2 ± 0.1 | Internal |
| F | 12.0 ± 0.1 | Total Height $\begin{smallmatrix} +0.1 \\ -0.3 \end{smallmatrix}$ / 10 pitches |
| G | 4.0 ± 0.1 | Total Height $\begin{smallmatrix} +0.1 \\ -0.3 \end{smallmatrix}$ / 10 pitches |
| E | 1.75 ± 0.1 | From the edge to reel hole |
| D | 7.5 ± 0.1 | From reel hole to center |

Reel Figuration



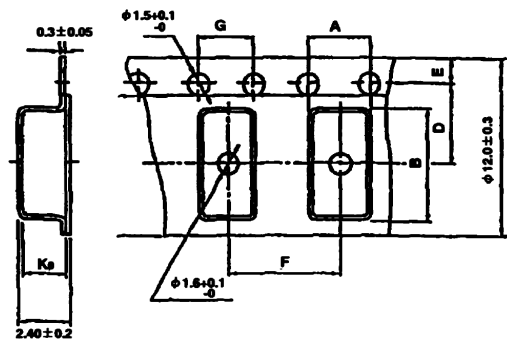
(Unit: mm)

| Symbol | Dimension |
|--------|-------------|
| A | φ 380 ± 2.0 |
| W1 | 17.5 ± 0.5 |
| W2 | 21.5 ± 1.0 |
| B | φ 80 ± 1.0 |
| C | φ 13 ± 0.5 |
| E | 2.0 ± 0.5 |
| U | 4.0 ± 0.5 |

■ SSOP Models

G3VM-21LR, G3VM-21LR1, G3VM-41LR3, G3VM-41LR4, G3VM-41LR5, G3VM-41R6

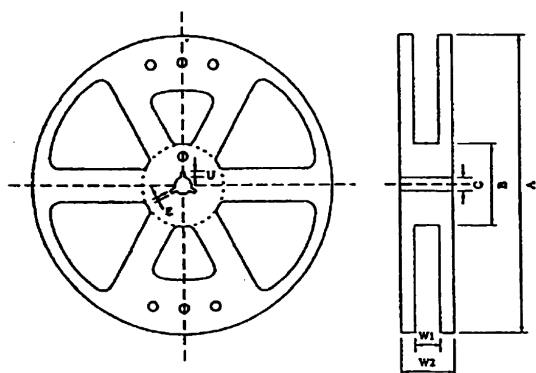
Type Figuration



(Unit: mm)
Tolerance: ± 0.1

| Symbol | Dimension | Remarks |
|--------|----------------|--|
| A | 2.35 ± 0.1 | — |
| B | 4.5 ± 0.1 | — |
| K0 | 2.1 ± 0.1 | Internal |
| F | 4.0 ± 0.1 | Total Height $\begin{smallmatrix} +0.1 \\ -0.3 \end{smallmatrix}$ / 10 pitches |
| G | 4.0 ± 0.1 | Total Height $\begin{smallmatrix} +0.1 \\ -0.3 \end{smallmatrix}$ / 10 pitches |
| E | 1.75 ± 0.1 | From the edge to reel hole |
| D | 5.5 ± 0.1 | From reel hole to center |

Reel Figuration



(Unit: mm)

| Symbol | Dimension |
|--------|--------------------|
| A | $\phi 380 \pm 2.0$ |
| W1 | 17.5 ± 0.5 |
| W2 | 21.5 ± 1.0 |
| B | $\phi 80 \pm 1.0$ |
| C | $\phi 13 \pm 0.5$ |
| E | 2.0 ± 0.5 |
| U | 4.0 ± 0.5 |

Precautions

⚠ WARNING

Always turn the power off before wiring, or an electric shock may occur.

Do not touch the SSR terminal section (the recharge section) while the power supply is connected. Contact with the recharge section will result in an electric shock.

⚠ Caution

Do not use excess voltage or current in the SSR input or output circuits. Otherwise, damage to the SSR or a fire will result.

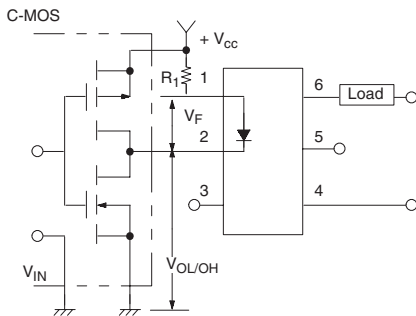
Conduct wiring and soldering correctly according to soldering conditions. If the product is used with incomplete wiring, overheating will occur and may result in a fire.

■ Reflow Solder Conditions

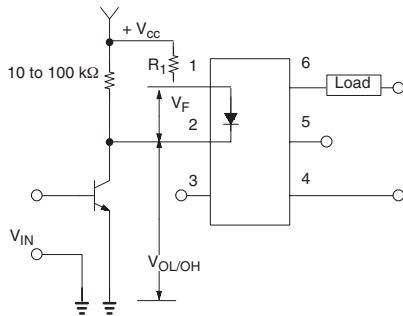
G3VM relays are designed to withstand a maximum soldering temperature of 260°C for 10 seconds.

■ Typical Relay Driving Circuit Examples

C-MOS



Transistor



Use the following formula to obtain the LED current limiting resistance value to assure that the Relay operates accurately.

$$R_1 = \frac{V_{CC} - V_{OL} - V_F(ON)}{5 \text{ to } 20 \text{ mA}}$$

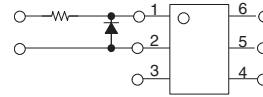
Use the following formula to obtain the LED forward voltage value to assure that the Relay releases accurately.

$$V_{F(OFF)} = V_{CC} - V_{OH} < 0.8 \text{ V}$$

■ Protection from Surge Voltage on the Input Terminals

If any reversed surge voltage is imposed on the input terminals, insert a diode in parallel to the input terminals as shown in the following circuit diagram and do not impose a reversed voltage value of 3 V or more.

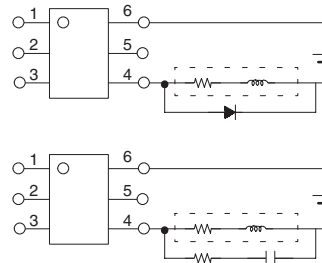
Spike Voltage Protection Circuit Example



■ Protection from Spike Voltage on the Output Terminals

If a spike voltage exceeding the absolute maximum rated value is generated between the output terminals, insert a C-R snubber or clamping diode in parallel to the load as shown in the following circuit diagram to limit the spike voltage.

Spike Voltage Protection Circuit Example

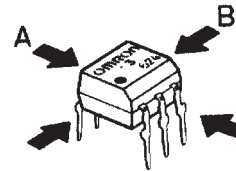


■ Unused Terminals

Terminal 3 is connected to the internal circuit. Do not connect anything to terminal 3 externally.

■ Relay Holding Force for Automatic Mounting

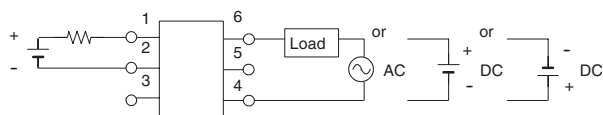
A Relay must not be imposed with a force exceeding 200 gf (1.96 N) in the A or B direction shown in the following illustration when the Relay is mounted automatically, or the characteristics of the Relay may change.



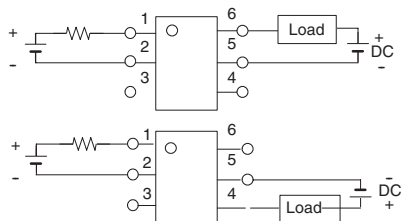
■ Load Connection

Do not short-circuit the input and output terminals while the Relay is operating or the Relay may malfunction.

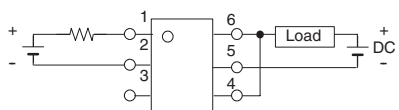
AC Connection



DC Single Connection



DC Parallel Connection



Certain Terms and Conditions of Sale

1. **Offer; Acceptance.** These terms and conditions (these "Terms") are deemed part of all catalogs, manuals or other documents, whether electronic or in writing, relating to the sale of goods or services (collectively, the "Goods") by Omron Electronic Components LLC and its subsidiary companies ("Seller"). Seller hereby objects to any terms or conditions proposed in Buyer's purchase order or other documents which are inconsistent with, or in addition to, these Terms. Please contact your Omron representative to confirm any additional terms for sales from your Omron company.
2. **Prices.** All prices stated are current, subject to change without notice by Seller. Buyer agrees to pay the price in effect at time of shipment.
3. **Discounts.** Cash discounts, if any, will apply only on the net amount of invoices sent to Buyer after deducting transportation charges, taxes and duties, and will be allowed only if (i) the invoice is paid according to Seller's payment terms and (ii) Buyer has no past due amounts owing to Seller.
4. **Orders.** Seller will accept no order less than \$200 net billing.
5. **Governmental Approvals.** Buyer shall be responsible for, and shall bear all costs involved in, obtaining any government approvals required for the importation or sale of the Goods.
6. **Taxes.** All taxes, duties and other governmental charges (other than general real property and income taxes), including any interest or penalties thereon, imposed directly or indirectly on Seller or required to be collected directly or indirectly by Seller for the manufacture, production, sale, delivery, importation, consumption or use of the Goods sold hereunder (including customs duties and sales, excise, use, turnover and license taxes) shall be charged to and remitted by Buyer to Seller.
7. **Financial.** If the financial position of Buyer at any time becomes unsatisfactory to Seller, Seller reserves the right to stop shipments or require satisfactory security or payment in advance. If Buyer fails to make payment or otherwise comply with these Terms or any related agreement, Seller may (without liability and in addition to other remedies) cancel any unshipped portion of Goods sold hereunder and stop any Goods in transit until Buyer pays all amounts, including amounts payable hereunder, whether or not then due, which are owing to it by Buyer. Buyer shall in any event remain liable for all unpaid accounts.
8. **Cancellation; Etc.** Orders are not subject to rescheduling or cancellation unless Buyer indemnifies Seller fully against all costs or expenses arising in connection therewith.
9. **Force Majeure.** Seller shall not be liable for any delay or failure in delivery resulting from causes beyond its control, including earthquakes, fires, floods, strikes or other labor disputes, shortage of labor or materials, accidents to machinery, acts of sabotage, riots, delay in or lack of transportation or the requirements of any government authority.
10. **Shipping; Delivery.** Unless otherwise expressly agreed in writing by Seller:
 - a. Shipments shall be by a carrier selected by Seller;
 - b. Such carrier shall act as the agent of Buyer and delivery to such carrier shall constitute delivery to Buyer;
 - c. All sales and shipments of Goods shall be FOB shipping point (unless otherwise stated in writing by Seller), at which point title to and all risk of loss of the Goods shall pass from Seller to Buyer, provided that Seller shall retain a security interest in the Goods until the full purchase price is paid by Buyer;
 - d. Delivery and shipping dates are estimates only.
 - e. Seller will package Goods as it deems proper for protection against normal handling and extra charges apply to special conditions.
11. **Claims.** Any claim by Buyer against Seller for shortage or damage to the Goods occurring before delivery to the carrier must be presented in writing to Seller within 30 days of receipt of shipment and include the original transportation bill signed by the carrier noting that the carrier received the Goods from Seller in the condition claimed.
12. **Warranties.** (a) **Exclusive Warranty.** Seller's exclusive warranty is that the Goods will be free from defects in materials and workmanship for a period of twelve months from the date of sale by Seller (or such other period expressed in writing by Seller). Seller disclaims all other warranties, express or implied. (b) **Limitations.** SELLER MAKES NO WARRANTY OR REPRESENTATION, EXPRESS OR IMPLIED, ABOUT NON-INFRINGEMENT, MERCHANTABILITY OR FITNESS FOR A PARTICULAR PURPOSE OF THE GOODS. BUYER ACKNOWLEDGES THAT IT ALONE HAS DETERMINED THAT THE GOODS WILL SUITABLY MEET THE REQUIREMENTS OF THEIR INTENDED USE. Seller further disclaims all warranties and responsibility of any type for claims or expenses based on infringement by the Goods or otherwise of any intellectual property right. (c) **Buyer Remedy.** Seller's sole obligation hereunder shall be to replace (in the form originally shipped with Buyer responsible for labor charges for removal or replacement thereof) the non-complying Good or, at Seller's election, to repay or credit Buyer an amount equal to the purchase price of the Good; provided that in no event shall Seller be responsible for warranty, repair, indemnity or any other claims or expenses regarding the Goods unless Seller's analysis confirms that the Goods were properly handled, stored, installed and maintained and not subject to contamination, abuse, misuse or inappropriate modification. Return of any goods by Buyer must be approved in writing by Seller before shipment. Seller shall not be liable for the suitability or unsuitability or the results from the use of Goods in combination with any electrical or electronic components, circuits, system assemblies or any other materials or substances or environments. Any advice, recommendations or information given orally or in writing, are not to be construed as an amendment or addition to the above warranty. (d) **Damage Limits; Etc.** SELLER SHALL NOT BE LIABLE FOR SPECIAL, INDIRECT OR CONSEQUENTIAL DAMAGES, LOSS OF PROFITS OR PRODUCTION OR COMMERCIAL LOSS IN ANY WAY CONNECTED WITH THE GOODS, WHETHER SUCH CLAIM IS BASED IN CONTRACT, WARRANTY, NEGLIGENCE OR STRICT LIABILITY. Further, in no event shall liability of Seller exceed the individual price of the Good on which liability is asserted. (e) **Indemnities.** Buyer shall indemnify and hold harmless Seller, its affiliates and its employees from and against all liabilities, losses, claims, costs and expenses (including attorney's fees and expenses) related to any claim, investigation, litigation or proceeding (whether or not Seller is a party) which arises or is alleged to arise from Buyer's acts or omissions under these Terms or in any way with respect to the Goods. Without limiting the foregoing, Buyer (at its own expense) shall indemnify and hold harmless Seller and defend or settle any action brought against Seller to the extent that it is based on a claim that any Good made to Buyer specifications infringed intellectual property rights of another party. (f) **Property; Confidentiality.** The intellectual property embodied in the Goods is the exclusive property of Seller and its affiliates and Buyer shall not attempt to duplicate it in any way without the written permission of Seller. Notwithstanding any charges to Buyer for engineering or tooling, all engineering and tooling shall remain the exclusive property of Seller. All information and materials supplied by Seller to Buyer relating to the Goods are confidential and proprietary, and Buyer shall limit distribution thereof to its trusted employees and strictly prevent disclosure to any third party. (g) **Miscellaneous.** (a) **Waiver.** No failure or delay by Seller in exercising any right and no course of dealing between Buyer and Seller shall operate as a waiver of rights by Seller. (b) **Assignment.** Buyer may not assign its rights hereunder without Seller's written consent. (c) **Amendment.** These Terms constitute the entire agreement between Buyer and Seller relating to the Goods, and no provision may be changed or waived unless in writing signed by the parties. (d) **Severability.** If any provision hereof is rendered ineffective or invalid, such provision shall not invalidate any other provision. (e) **Setoff.** Buyer shall have no right to set off any amounts against the amount owing in respect of this invoice. (f) As used herein, "including" means "including without limitation".

Certain Precautions on Specifications and Use

1. **Suitability of Use.** Seller shall not be responsible for conformity with any standards, codes or regulations which apply to the combination of the Good in the Buyer's application or use of the Good. At Buyer's request, Seller will provide applicable third party certification documents identifying ratings and limitations of use which apply to the Good. This information by itself is not sufficient for a complete determination of the suitability of the Good in combination with the end product, machine, system, or other application or use. The following are some examples of applications for which particular attention must be given. This is not intended to be an exhaustive list of all possible uses of this Good, nor is it intended to imply that the uses listed may be suitable for this Good:
 - (i) Outdoor use, uses involving potential chemical contamination or electrical interference, or conditions or uses not described in this document.
 - (ii) Energy control systems, combustion systems, railroad systems, aviation systems, medical equipment, amusement machines, vehicles, safety equipment, and installations subject to separate industry or government regulations.
 - (iii) Systems, machines and equipment that could present a risk to life or property. Please know and observe all prohibitions of use applicable to this Good.
2. **Programmable Products.** Seller shall not be responsible for the user's programming of a programmable Good, or any consequence thereof.
3. **Performance Data.** Performance data given in this catalog is provided as a guide for the user in determining suitability and does not constitute a warranty. It may represent the result of Seller's test conditions, and the user must correlate it to actual application requirements. Actual performance is subject to the Seller's Warranty and Limitations of Liability.
4. **Change in Specifications.** Product specifications and accessories may be changed at any time based on improvements and other reasons. It is our practice to change part numbers when published ratings or features are changed or when significant construction changes are made. However, some specifications of the Good may be changed without any notice. When in doubt, special part numbers may be assigned to fix or establish key specifications for your application. Please consult with your Seller's representative at any time to confirm actual specifications of purchased Good.
5. **Errors and Omissions.** The information in this catalog has been carefully checked and is believed to be accurate; however, no responsibility is assumed for clerical, typographical or proofreading errors, or omissions.

NEVER USE THE PRODUCT FOR AN APPLICATION INVOLVING SERIOUS RISK TO LIFE OR PROPERTY WITHOUT ENSURING THAT THE SYSTEM AS A WHOLE HAS BEEN DESIGNED TO ADDRESS THE RISKS, AND THAT THE SELLER'S PRODUCT IS PROPERLY RATED AND INSTALLED FOR THE INTENDED USE WITHIN THE OVERALL EQUIPMENT OR SYSTEM.

Complete "Terms and Conditions of Sale" for product purchase and use are on Omron's website at www.omron.com/oei – under the "About Us" tab, in the Legal Matters section.

ALL DIMENSIONS SHOWN ARE IN MILLIMETERS.

To convert millimeters into inches, multiply by 0.03937. To convert grams into ounces, multiply by 0.03527.

OMRON[®]

**OMRON ELECTRONIC
COMPONENTS LLC**

55 E. Commerce Drive, Suite B
Schaumburg, IL 60173

847-882-2288

OMRON CANADA, INC.

885 Milner Avenue
Toronto, Ontario M1B 5V8

416-286-6465

OMRON ON-LINE

Global - <http://www.omron.com>
USA - <http://www.omron.com/oei>
Canada - <http://www.omron.ca>