

Optimum Cooling with a Comprehensive Lineup of Axial Fans

- Low noise level, long service life, and resistance to the environment.
- Shaft supported by ball bearings for highly-reliable operation.
- Plastic-bladed models (44 type) and metal-bladed models (28 type) included in series.
- R87T-A□A15H-WR Water-resistant AC Axial Fans (IP X7 degree of protection) added to series.
- CE marking compliant and certified by UL and CSA.

Note: The compliant standards and certified safety standards depend on the product. Check the information given for available models of Axial fans and the information in *Characteristics*.



⚠ Be sure to read the *Safety Precautions for All Axial Fans*.

Model Number Structure

Model Number Legend

R87 □ - □ □ □ □ □ □ - □
 1 2 3 4 5 6 7 8

1. Basic series

R87F: Plastic blade
 R87T: Metal blade

2. Rated voltage

A1: 100 VAC
 A3: 115 VAC
 A4: 200 VAC
 A6: 230 VAC

3. Frame material

A: Die-cast

4. Frame size

0: 150 dia.
 1: 120 × 120
 9: 92 × 92
 8: 80 × 80

5. Frame thickness

3: 25
 5: 38
 7: 55

6. Rotational speed

H: High
 M: Medium
 L: Low

7. Terminal type

No marking: Lead wires
 P: Terminals (See note 1.)

8. Type

No marking: Standard
 WR: Water-resistant

Note: 1. A Plug Cord (R87F-PC) is available as an option for models with terminals.

2. These tables show only how to read product markings. They do not indicate which products are available. Refer to “*Ratings and Ordering Information*” when ordering.

Ordering Information

Available Models

AC Axial Fans

| Series | Size (mm) | Model | Datasheet available |
|--------------------------|-----------------|----------------|---------------------|
| R87F (plastic blades) | 120 × 120 × t38 | R87F-A□A15 | Refer to page 2. |
| | 120 × 120 × t25 | R87F-A□A13 | Refer to page 4. |
| | 92 × 92 × t25 | R87F-A□A93 | Refer to page 6. |
| | 80 × 80 × t38 | R87F-A□A85 | Refer to page 8. |
| | 80 × 80 × t25 | R87F-A□A83 | Refer to page 10. |
| R87T (metal blades) | 120 × 120 × t38 | R87T-A□A15H-WR | Refer to page 12. |
| | 150-dia. × t55 | R87T-A□A07 | Refer to page 14. |
| | 150-dia. × t38 | R87T-A□A05 | Refer to page 16. |
| | 120 × 120 × t38 | R87T-A□A15 | Refer to page 18. |
| | 80 × 80 × t38 | R87T-A□A85 | Refer to page 20. |
| | 80 × 80 × t25 | R87T-A□A83 | Refer to page 22. |

Options

| Product name | Model | Datasheet available |
|--------------|-------------|---------------------|
| Plug Cord | R87F-PC | Refer to page 24. |
| Finger Guard | R87F-FG□ | Refer to page 25. |
| Filter | R87F-FL□(S) | Refer to page 26. |

Note: Mounting screws are not provided.

Safety Precautions

Refer to the “*Safety Precautions for All Axial Fans*”.

AC Axial Fans with Terminals (120 × 120 × t38 mm)

R87F-A□A15

Specifications

Ratings and Ordering Information

Note: An asterisk (*) indicates a nominal value.

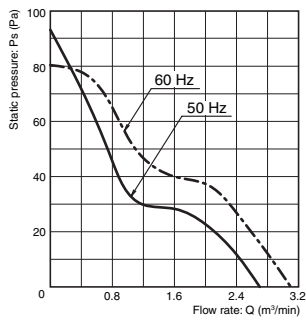
| Item Model | Rated voltage (V) | Permitted voltage fluctuation range (%) | Frequency (Hz) | Rated current (A) * | | Rated input (W) * | | Rated rotational speed (r/min) * | | Maximum flow rate (m ³ /min) * | | Maximum static pressure (Pa) * | | Noise (dB) * | |
|---------------|-------------------|---|----------------|---------------------|-------|-------------------|-------|----------------------------------|-------|---|-------|--------------------------------|-------|--------------|-------|
| | | | | 50 Hz | 60 Hz | 50 Hz | 60 Hz | 50 Hz | 60 Hz | 50 Hz | 60 Hz | 50 Hz | 60 Hz | 50 Hz | 60 Hz |
| R87F-A1A15HP | 100 | 85% to 110% rated voltage | 50/60 | 0.230 | 0.220 | 15 | 14 | 2,750 | 3,200 | 2.7 | 3.1 | 93.1 | 99.0 | 42 | 46 |
| R87F-A3A15HP | 115 | | | 0.200 | 0.180 | | | | | | | | | | |
| R87F-A4A15HP | 200 | | | 0.110 | 0.100 | | | | | | | | | | |
| R87F-A6A15HP | 230 | | | 0.100 | 0.085 | | | | | | | | | | |
| R87F-A1A15MP | 100 | 85% to 110% rated voltage | 50/60 | 0.210 | 0.180 | 15 | 14 | 2,450 | 2,700 | 2.2 | 2.5 | 63.7 | 63.7 | 39 | 42 |
| R87F-A3A15MP | 115 | | | 0.190 | 0.160 | | | | | | | | | | |
| R87F-A4A15MP | 200 | | | 0.100 | 0.090 | | | | | | | | | | |
| R87F-A6A15MP | 230 | | | 0.085 | 0.075 | | | | | | | | | | |
| R87F-A1A15LP | 100 | 85% to 110% rated voltage | 50/60 | 0.170 | 0.150 | 11 | 10 | 2,100 | 2,250 | 2.0 | 2.1 | 44.1 | 44.1 | 36 | 38 |
| R87F-A3A15LP | 115 | | | 0.150 | 0.130 | | | | | | | | | | |
| R87F-A4A15LP | 200 | | | 0.080 | 0.070 | | | | | | | | | | |
| R87F-A6A15LP | 230 | | | 0.072 | 0.064 | | | | | | | | | | |

Characteristics

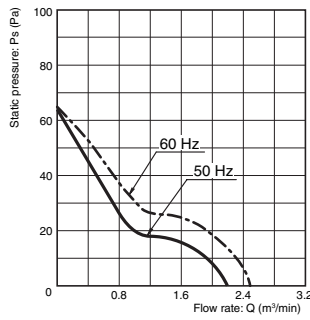
| | |
|-------------------------------|--|
| Motor type | Single-phase shading coil induction motor (2-pole, open type) |
| Terminal type | Terminals |
| Insulation class | IEC class B (130°C) UL class A (105°C) CSA class A (105°C) |
| Insulation resistance | 100 MΩ min. (at 500 VDC) between all power supply connections and uncharged metal parts. |
| Insulation withstand voltage | 2,000 VAC (1 minute) between all power supply connections and uncharged metal parts. |
| Ambient operating temperature | -30 to 70°C (no icing) |
| Ambient storage temperature | -40 to 85°C (no icing) |
| Ambient humidity | 25% to 85% |
| Protection | Impedance protection |
| Materials | Frame: Die-cast aluminum Blades: Glass polycarbonate |
| Bearings | Ball bearings |
| Weight | Approx. 540 g |
| Compliant standards | PSE, EN/IEC 60335 (CE marking compliant) |
| Certified standards | UL/CSA |

Flow Rate and Static Pressure Characteristics (Reference Values)

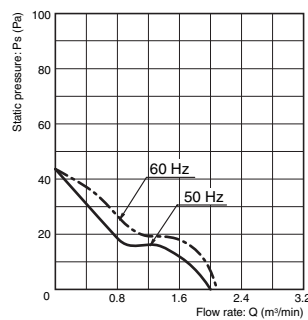
R87F-A□A15HP



R87F-A□A15MP



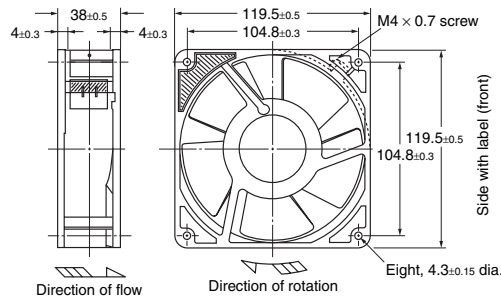
R87F-A□A15LP



Note: For details on measurement conditions, refer to *Flow Rate and Static Pressure on Safety Precautions for All Axial Fans*.

Dimensions

(Unit: mm)



Screw hole for grounding



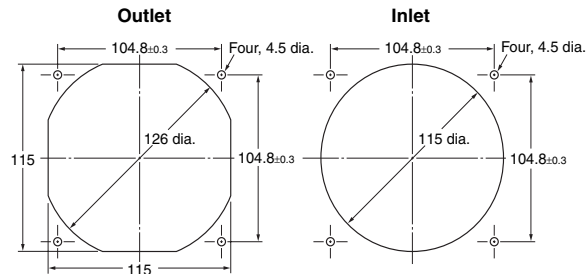
M4 screw: 0.7 pitch

Terminal shape



Faston #110 terminals (or equivalent)

Panel Cutouts



Options

| Name | Model | Datasheet available |
|--------------|---------------|---------------------|
| Plug Cord | R87F-PC | Refer to page 24. |
| Finger Guard | R87F-FG120 | Refer to page 25. |
| Filter | R87F-FL120(S) | Refer to page 26. |

ALL DIMENSIONS SHOWN ARE IN MILLIMETERS.

To convert millimeters into inches, multiply by 0.03937. To convert grams into ounces, multiply by 0.03527.

In the interest of product improvement, specifications are subject to change without notice.

AC Axial Fans with Terminals (120 × 120 × t25 mm)

R87F-A□A13

Specifications

Ratings and Ordering Information

Note: An asterisk (*) indicates a nominal value.

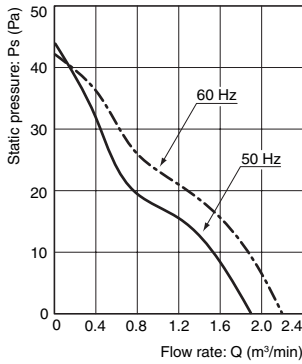
| Item Model | Rated voltage (V) | Permitted voltage fluctuation range (%) | Frequency (Hz) | Rated current (A) * | | Rated input (W) * | | Rated rotational speed (r/min) * | | Maximum flow rate (m ³ /min) * | | Maximum static pressure (Pa) * | | Noise (dB) * | |
|---------------|-------------------|---|----------------|---------------------|-------|-------------------|-------|----------------------------------|-------|---|-------|--------------------------------|-------|--------------|-------|
| | | | | 50 Hz | 60 Hz | 50 Hz | 60 Hz | 50 Hz | 60 Hz | 50 Hz | 60 Hz | 50 Hz | 60 Hz | 50 Hz | 60 Hz |
| R87F-A1A13HP | 100 | 85% to 110% rated voltage | 50/60 | 0.180 | 0.150 | 14 | 12 | 2,400 | 2,800 | 1.9 | 2.2 | 44.1 | 42.2 | 39 | 43 |
| R87F-A3A13HP | 115 | | | 0.160 | 0.130 | | | | | | | | | | |
| R87F-A4A13HP | 200 | | | 0.096 | 0.078 | | | | | | | | | | |
| R87F-A6A13HP | 230 | | | 0.085 | 0.068 | | | | | | | | | | |
| R87F-A1A13LP | 100 | 85% to 110% rated voltage | 50/60 | 0.140 | 0.110 | 12 | 10 | 1,700 | 2,000 | 1.3 | 1.5 | 19.6 | 23.5 | 32 | 34 |
| R87F-A3A13LP | 115 | | | 0.130 | 0.100 | | | | | | | | | | |
| R87F-A4A13LP | 200 | | | 0.070 | 0.055 | | | | | | | | | | |
| R87F-A6A13LP | 230 | | | 0.052 | 0.045 | | | | | | | | | | |

Characteristics

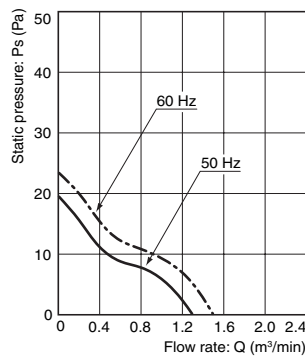
| | |
|-------------------------------|--|
| Motor type | Single-phase shading coil induction motor (2-pole, open type) |
| Terminal type | Terminals |
| Insulation class | IEC class B (130°C) UL class A (105°C) CSA class A (105°C) |
| Insulation resistance | 100 MΩ min. (at 500 VDC) between all power supply connections and uncharged metal parts. |
| Insulation withstand voltage | 2,000 VAC (1 minute) between all power supply connections and uncharged metal parts. |
| Ambient operating temperature | -30 to 70°C (no icing) |
| Ambient storage temperature | -40 to 85°C (no icing) |
| Ambient humidity | 25% to 85% |
| Protection | Impedance protection |
| Materials | Frame: Die-cast aluminum Blades: Glass polycarbonate |
| Bearings | Ball bearings |
| Weight | Approx. 350 g |
| Compliant standards | PSE, EN/IEC 60335 (CE marking compliant) |
| Certified standards | UL/CSA |

Flow Rate and Static Pressure Characteristics (Reference Values)

R87F-A□A13HP



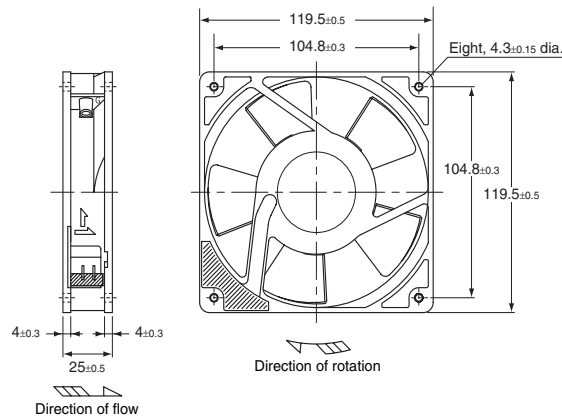
R87F-A□A13LP



Note: For details on measurement conditions, refer to *Flow Rate and Static Pressure on Safety Precautions for All Axial Fans*.

Dimensions

(Unit: mm)



Screw hole for grounding



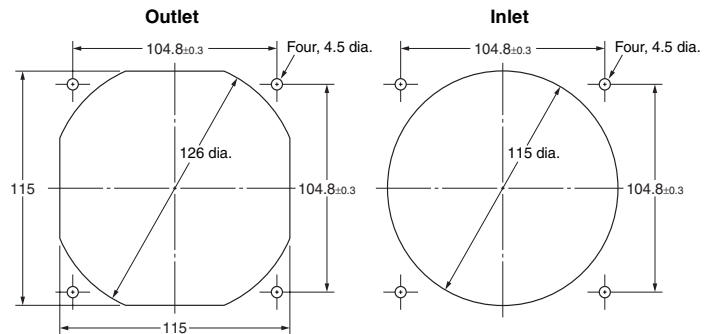
M4 screw: 0.7 pitch

Terminal shape



Faston #110 terminal (or equivalent)

Panel Cutouts



Options

| Name | Model | Datasheet available |
|--------------|---------------|---------------------|
| Plug Cord | R87F-PC | Refer to page 24. |
| Finger Guard | R87F-FG120 | Refer to page 25. |
| Filter | R87F-FL120(S) | Refer to page 26. |

ALL DIMENSIONS SHOWN ARE IN MILLIMETERS.

To convert millimeters into inches, multiply by 0.03937. To convert grams into ounces, multiply by 0.03527.

In the interest of product improvement, specifications are subject to change without notice.

R87F-A□A93

Specifications

Ratings and Ordering Information

Note: An asterisk (*) indicates a nominal value.

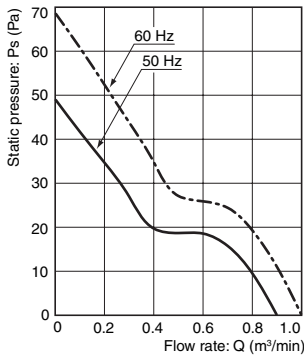
| Item Model | Rated voltage (V) | Permitted voltage fluctuation range (%) | Frequency (Hz) | Rated current (A) * | | Rated input (W) * | | Rated rotational speed (r/min) * | | Maximum flow rate (m ³ /min) * | | Maximum static pressure (Pa) * | | Noise (dB) * | |
|---------------|-------------------|---|----------------|---------------------|-------|-------------------|-------|----------------------------------|-------|---|-------|--------------------------------|-------|--------------|-------|
| | | | | 50 Hz | 60 Hz | 50 Hz | 60 Hz | 50 Hz | 60 Hz | 50 Hz | 60 Hz | 50 Hz | 60 Hz | 50 Hz | 60 Hz |
| R87F-A1A93HP | 100 | 85% to 110% rated voltage | 50/60 | 0.150 | 0.130 | 13 | 11 | 2,550 | 3,050 | 0.9 | 1.0 | 49.0 | 68.6 | 33 | 36 |
| R87F-A3A93HP | 115 | | | 0.125 | 0.100 | | | | | | | | | | |
| R87F-A4A93HP | 200 | | | 0.070 | 0.060 | | | | | | | | | | |
| R87F-A6A93HP | 230 | | | 0.055 | 0.050 | | | | | | | | | | |
| R87F-A1A93LP | 100 | 85% to 110% rated voltage | 50/60 | 0.100 | 0.085 | 7 | 6 | 1,900 | 2,200 | 0.7 | 0.8 | 24.5 | 34.3 | 29 | 32 |
| R87F-A3A93LP | 115 | | | 0.090 | 0.075 | | | | | | | | | | |
| R87F-A4A93LP | 200 | | | 0.050 | 0.043 | | | | | | | | | | |
| R87F-A6A93LP | 230 | | | 0.045 | 0.040 | | | | | | | | | | |

Characteristics

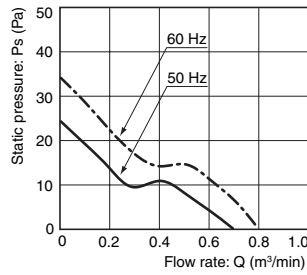
| | |
|-------------------------------|--|
| Motor type | Single-phase shading coil induction motor (2-pole, open type) |
| Terminal type | Terminals |
| Insulation class | IEC class B (130°C) UL class A (105°C) CSA class A (105°C) |
| Insulation resistance | 100 MΩ min. (at 500 VDC) between all power supply connections and uncharged metal parts. |
| Insulation withstand voltage | 2,000 VAC (1 minute) between all power supply connections and uncharged metal parts. |
| Ambient operating temperature | -30 to 70°C (no icing) |
| Ambient storage temperature | -40 to 85°C (no icing) |
| Ambient humidity | 25% to 85% |
| Protection | Impedance protection |
| Materials | Frame: Die-cast aluminum Blades: Glass polycarbonate |
| Bearings | Ball bearings |
| Weight | Approx. 300 g |
| Compliant standards | PSE, EN/IEC 60335 (CE marking compliant) |
| Certified standards | UL/CSA |

Flow Rate and Static Pressure Characteristics (Reference Values)

R87F-A□A93HP



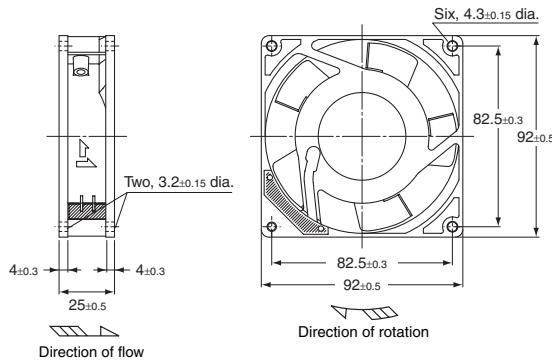
R87F-A□A93LP



Note: For details on measurement conditions, refer to *Flow Rate and Static Pressure on Safety Precautions for All Axial Fans*.

Dimensions

(Unit: mm)



Screw hole for grounding



M4 screw: 0.7 pitch

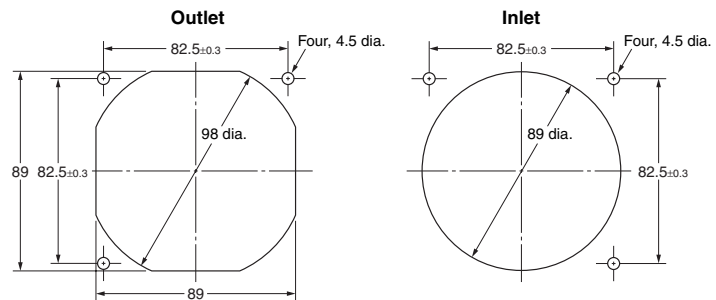
Terminal shape



Faston #110 terminal (or equivalent)

Panel Cutouts

Panel cutting reference dimensions (note 3 mounting holes)



Options

| Name | Model | Datasheet available |
|--------------|-----------|---------------------|
| Plug Cord | R87F-PC | Refer to page 24. |
| Finger Guard | R87F-FG90 | Refer to page 25. |
| Filter | R87F-FL90 | Refer to page 26. |

ALL DIMENSIONS SHOWN ARE IN MILLIMETERS.
To convert millimeters into inches, multiply by 0.03937. To convert grams into ounces, multiply by 0.03527.

In the interest of product improvement, specifications are subject to change without notice.

R87F-A□A85

Specifications

Ratings and Ordering Information

Note: An asterisk (*) indicates a nominal value.

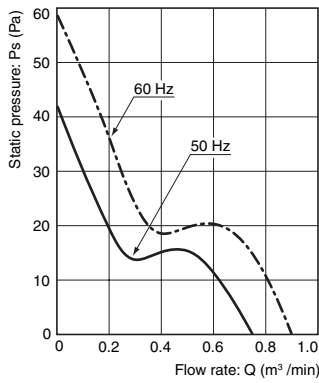
| Item Model | Rated voltage (V) | Permitted voltage fluctuation range (%) | Frequency (Hz) | Rated current (A) * | | Rated input (W) * | | Rated rotational speed (r/min) * | | Maximum flow rate (m ³ /min) * | | Maximum static pressure (Pa) * | | Noise (dB) * | |
|---------------|-------------------|---|----------------|---------------------|-------|-------------------|-------|----------------------------------|-------|---|-------|--------------------------------|-------|--------------|-------|
| | | | | 50 Hz | 60 Hz | 50 Hz | 60 Hz | 50 Hz | 60 Hz | 50 Hz | 60 Hz | 50 Hz | 60 Hz | 50 Hz | 60 Hz |
| R87F-A1A85HP | 100 | 85% to 110% rated voltage | 50/60 | 0.140 | 0.115 | 10 | 9 | 2,700 | 3,200 | 0.8 | 0.9 | 42.1 | 58.8 | 32 | 36 |
| R87F-A3A85HP | 115 | | | 0.120 | 0.100 | | | | | | | | | | |
| R87F-A4A85HP | 200 | | | 0.080 | 0.060 | | | | | | | | | | |
| R87F-A6A85HP | 230 | | | 0.060 | 0.050 | | | | | | | | | | |
| R87F-A1A85LP | 100 | 85% to 110% rated voltage | 50/60 | 0.090 | 0.080 | 7 | 6 | 2,200 | 2,500 | 0.6 | 0.7 | 25.0 | 32.0 | 26 | 29 |
| R87F-A3A85LP | 115 | | | 0.080 | 0.070 | | | | | | | | | | |
| R87F-A4A85LP | 200 | | | 0.050 | 0.040 | | | | | | | | | | |
| R87F-A6A85LP | 230 | | | 0.040 | 0.040 | | | | | | | | | | |

Characteristics

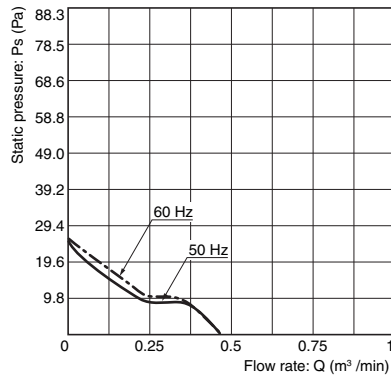
| | |
|-------------------------------|--|
| Motor type | Single-phase shading coil induction motor (2-pole, open type) |
| Terminal type | Terminals |
| Insulation class | IEC class B (130°C) UL class A (105°C) CSA class A (105°C) |
| Insulation resistance | 100 MΩ min. (at 500 VDC) between all power supply connections and uncharged metal parts. |
| Insulation withstand voltage | 2,000 VAC (1 minute) between all power supply connections and uncharged metal parts. |
| Ambient operating temperature | -30 to 70°C (no icing) |
| Ambient storage temperature | -40 to 85°C (no icing) |
| Ambient humidity | 25% to 85% |
| Protection | Impedance protection |
| Materials | Frame: Die-cast aluminum Blades: Glass polycarbonate |
| Bearings | Ball bearings |
| Weight | Approx. 280 g |
| Compliant standards | PSE, EN/IEC 60335 (CE marking compliant) |
| Certified standards | UL/CSA |

Flow Rate and Static Pressure Characteristics (Reference Values)

R87F-A□A85HP



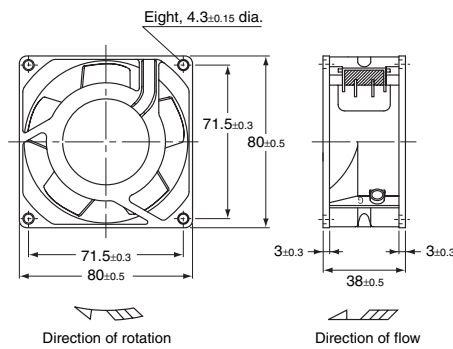
R87F-A□A85LP



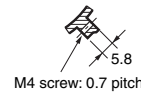
Note: For details on measurement conditions, refer to *Flow Rate and Static Pressure on Safety Precautions for All Axial Fans*.

Dimensions

(Unit: mm)



Screw hole for grounding

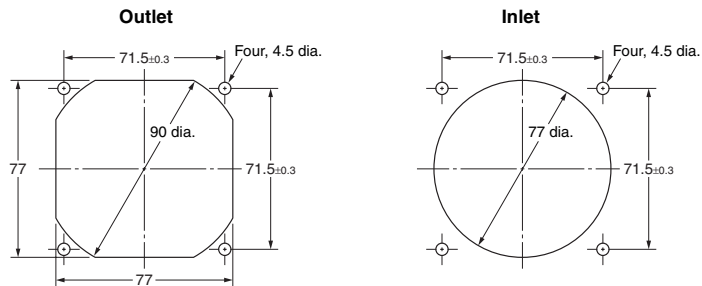


Terminal shape



Faston #110 terminal (or equivalent)

Panel Cutouts



Options

| Name | Model | Datasheet available |
|--------------|-----------|---------------------|
| Plug Cord | R87F-PC | Refer to page 24. |
| Finger Guard | R87F-FG80 | Refer to page 25. |
| Filter | R87F-FL80 | Refer to page 26. |

ALL DIMENSIONS SHOWN ARE IN MILLIMETERS.
To convert millimeters into inches, multiply by 0.03937. To convert grams into ounces, multiply by 0.03527.

In the interest of product improvement, specifications are subject to change without notice.

R87F-A□A83

Specifications

Ratings and Ordering Information

Note: An asterisk (*) indicates a nominal value.

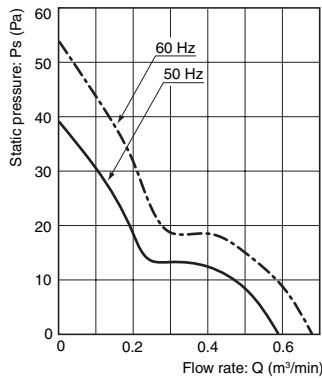
| Item Model | Rated voltage (V) | Permitted voltage fluctuation range (%) | Frequency (Hz) | Rated current (A) * | | Rated input (W) * | | Rated rotational speed (r/min) * | | Maximum flow rate (m ³ /min) * | | Maximum static pressure (Pa) * | | Noise (dB) * | |
|---------------|-------------------|---|----------------|---------------------|-------|-------------------|-------|----------------------------------|-------|---|-------|--------------------------------|-------|--------------|-------|
| | | | | 50 Hz | 60 Hz | 50 Hz | 60 Hz | 50 Hz | 60 Hz | 50 Hz | 60 Hz | 50 Hz | 60 Hz | 50 Hz | 60 Hz |
| R87F-A1A83H | 100 | 85% to 110% rated voltage | 50/60 | 0.097 | 0.080 | 7 | 6 | 2,600 | 3,000 | 0.6 | 0.7 | 39.2 | 53.9 | 32 | 36 |
| R87F-A3A83H | 115 | | | 0.085 | 0.070 | | | | | | | | | | |
| R87F-A4A83H | 200 | | | 0.048 | 0.041 | | | | | | | | | | |
| R87F-A6A83H | 230 | | | 0.046 | 0.039 | | | | | | | | | | |
| R87F-A1A83L | 100 | 85% to 110% rated voltage | 50/60 | 0.063 | 0.055 | 5 | 4 | 1,900 | 2,100 | 0.4 | 0.5 | 19.5 | 23.5 | 28 | 30 |
| R87F-A3A83L | 115 | | | 0.055 | 0.048 | | | | | | | | | | |
| R87F-A4A83L | 200 | | | 0.033 | 0.030 | | | | | | | | | | |
| R87F-A6A83L | 230 | | | 0.028 | 0.024 | | | | | | | | | | |

Characteristics

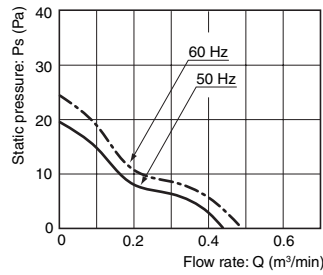
| | |
|-------------------------------|--|
| Motor type | Single-phase shading coil induction motor (2-pole, open type) |
| Terminal type | Lead wires |
| Insulation class | IEC class B (130°C) UL class A (105°C) CSA class A (105°C) |
| Insulation resistance | 100 MΩ min. (at 500 VDC) between all power supply connections and uncharged metal parts. |
| Insulation withstand voltage | 2,000 VAC (1 minute) between all power supply connections and uncharged metal parts. |
| Ambient operating temperature | -30 to 70°C (no icing) |
| Ambient storage temperature | -40 to 85°C (no icing) |
| Ambient humidity | 25% to 85% |
| Protection | Impedance protection |
| Materials | Frame: Die-cast aluminum Blades: Glass polycarbonate |
| Bearings | Ball bearings |
| Weight | Approx. 230 g |
| Compliant standards | EN/IEC 60335 (CE marking compliant) |
| Certified standards | UL/CSA |

Flow Rate and Static Pressure Characteristics (Reference Values)

R87F-A□A83H



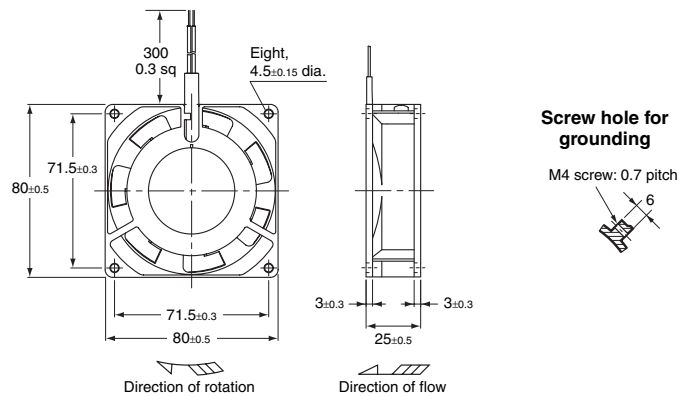
R87F-A□A83L



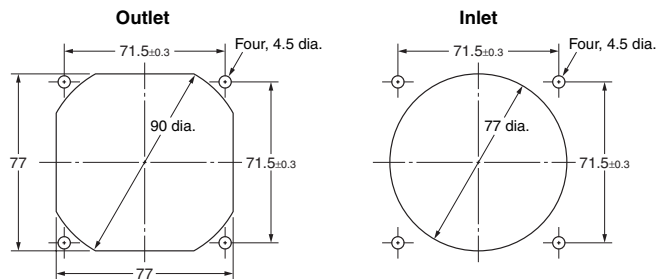
Note: For details on measurement conditions, refer to *Flow Rate and Static Pressure on Safety Precautions for All Axial Fans*.

Dimensions

(Unit: mm)



Panel Cutouts



Options

| Names | Model | Datasheet available |
|--------------|-----------|---------------------|
| Finger Guard | R87F-FG80 | Refer to page 25. |
| Filter | R87F-FL80 | Refer to page 26. |

ALL DIMENSIONS SHOWN ARE IN MILLIMETERS.
To convert millimeters into inches, multiply by 0.03937. To convert grams into ounces, multiply by 0.03527.

In the interest of product improvement, specifications are subject to change without notice.

R87T-A□A15H-WR

Specifications

Ratings and Ordering Information

Note: An asterisk (*) indicates a nominal value.

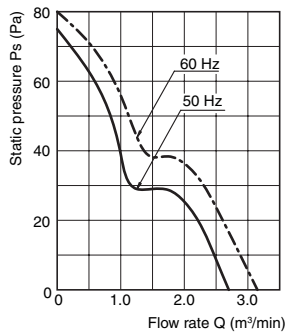
| Item Model | Rated voltage (V) | Permitted voltage fluctuation range (%) | Frequency (Hz) | Rated current (A) * | | Rated input (W) * | | Rated rotational speed (r/min) * | | Maximum flow rate (m ³ /min) * | | Maximum static pressure (Pa) * | | Noise (dB) * | |
|----------------|-------------------|---|----------------|---------------------|-------|-------------------|-------|----------------------------------|-------|---|-------|--------------------------------|-------|--------------|-------|
| | | | | 50 Hz | 60 Hz | 50 Hz | 60 Hz | 50 Hz | 60 Hz | 50 Hz | 60 Hz | 50 Hz | 60 Hz | 50 Hz | 60 Hz |
| R87T-A1A15H-WR | 100 | 85% to 110% rated voltage | 50/60 | 0.350 | 0.280 | 22 | 20 | 2,550 | 2,900 | 2.7 | 3.2 | 75.0 | 80.0 | 42 | 46 |
| R87T-A3A15H-WR | 115 | | | 0.300 | 0.240 | | | | | | | | | | |
| R87T-A4A15H-WR | 200 | | | 0.170 | 0.135 | 15 to 22 | | | | | | | | | |
| R87T-A6A15H-WR | 200 to 230 | | | 0.145 | 0.115 | | | | | | | | | | |

Characteristics

| | | |
|--------------------------------------|--|------------------------------------|
| Motor type | Single-phase shading coil induction motor (2-pole, open type) | |
| Terminal type | Lead wires | |
| Insulation class | IEC class B (130°C) UL class A (105°C) CSA class A (105°C) | |
| Insulation resistance | 100 MΩ min. (at 500 VDC) between all power supply connections and uncharged metal parts. | |
| Insulation withstand voltage | 2,000 VAC (1 minute) between all power supply connections and uncharged metal parts. | |
| Degree of protection | IP X7 | |
| Ambient operating temperature | -20 to 70°C (no icing) | |
| Ambient storage temperature | -40 to 85°C (no icing) | |
| Ambient humidity | 95% max. | |
| Protection | Impedance protection | |
| Materials | Frame | Die-cast aluminum Black coating |
| | Blades | Zinc die-cast |
| Bearings | Ball bearings | |
| Weight | Approx. 650 g | |
| Standards | EN/IEC 60335 (CE marking compliant) | |
| Certified standards | cUL | |

Flow Rate and Static Pressure Characteristics (Reference Values)

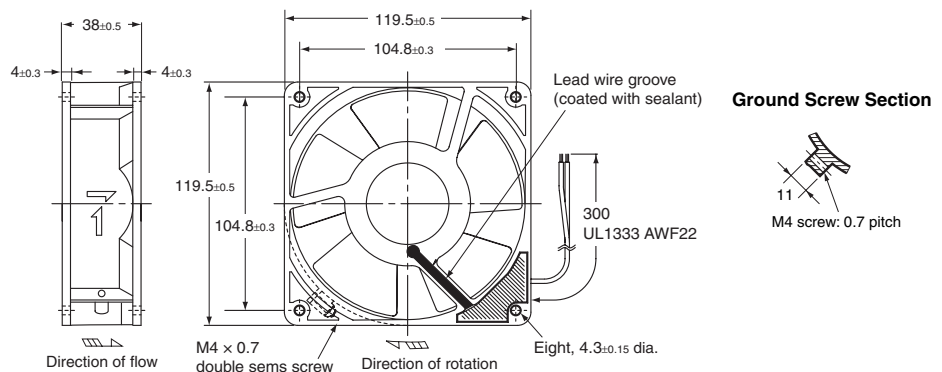
R87T-A□A15H-WR



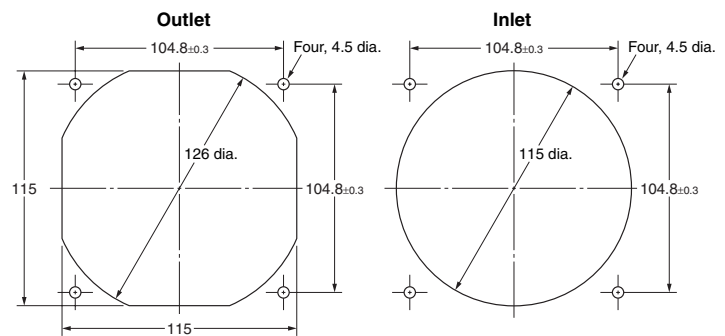
Note: For details on measurement conditions, refer to *Flow Rate and Static Pressure on Safety Precautions for All Axial Fans*.

Dimensions

(Unit: mm)



Panel Cutouts



Options

| Name | Model | Page number |
|--------------|---------------|-------------------|
| Finger Guard | R87F-FG120 | Refer to page 25. |
| Filter | R87F-FL120(S) | Refer to page 26. |

ALL DIMENSIONS SHOWN ARE IN MILLIMETERS.
To convert millimeters into inches, multiply by 0.03937. To convert grams into ounces, multiply by 0.03527.

In the interest of product improvement, specifications are subject to change without notice.

R87T-A□A07

Specifications

Ratings and Ordering Information

Note: An asterisk (*) indicates a nominal value.

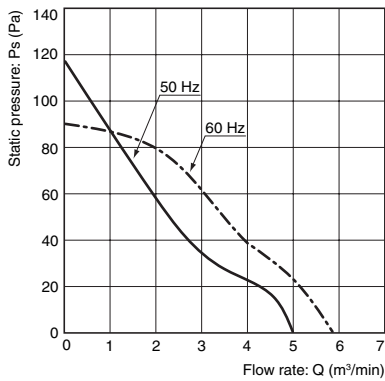
| Item Model | Rated voltage (V) | Permitted voltage fluctuation range (%) | Frequency (Hz) | Rated current (A) * | | Rated input (W) * | | Rated rotational speed (r/min) * | | Maximum flow rate (m ³ /min) * | | Maximum static pressure (Pa) * | | Noise (dB) * | |
|---------------|-------------------|---|----------------|---------------------|-------|-------------------|-------|----------------------------------|-------|---|-------|--------------------------------|-------|--------------|-------|
| | | | | 50 Hz | 60 Hz | 50 Hz | 60 Hz | 50 Hz | 60 Hz | 50 Hz | 60 Hz | 50 Hz | 60 Hz | 50 Hz | 60 Hz |
| R87T-A1A07H | 100 | 85% to 110% rated voltage | 50/60 | 0.480 | 0.420 | 43 | 40 | 2,800 | 3,250 | 5.0 | 5.8 | 118 | 88 | 52 | 56 |
| R87T-A3A07H | 115 | | | 0.420 | 0.370 | | | | | | | | | | |
| R87T-A4A07H | 200 | | | 0.240 | 0.210 | | | | | | | | | | |
| R87T-A6A07H | 230 | | | 0.210 | 0.190 | | | | | | | | | | |

Characteristics

| | |
|--------------------------------------|--|
| Motor type | Single-phase shading coil induction motor (2-pole, open type) |
| Terminal type | Lead wires |
| Insulation class | IEC class B (130°C) UL class A (105°C) |
| Insulation resistance | 100 MΩ min. (at 500 VDC) between all power supply connections and uncharged metal parts. |
| Insulation withstand voltage | 2,000 VAC (1 minute) between all power supply connections and uncharged metal parts. |
| Ambient operating temperature | -20 to 70°C (no icing) |
| Ambient storage temperature | -40 to 85°C (no icing) |
| Ambient humidity | 25% to 85% |
| Protection | Thermal protection |
| Materials | Frame: Die-cast aluminum Blades: Steel plate (black coating) |
| Bearings | Ball bearings |
| Weight | Approx. 1,200 g |
| Compliant standards | EN/IEC 60335 (CE marking compliant) |
| Certified standards | UL |

Flow Rate and Static Pressure Characteristics (Reference Value)

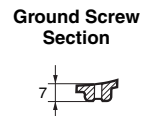
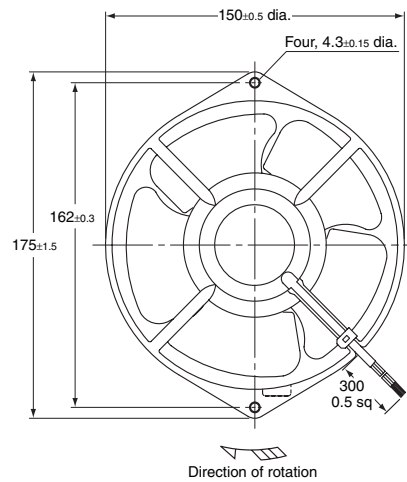
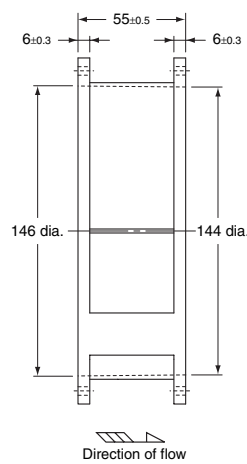
R87T-A□A07H



Note: For details on measurement conditions, refer to *Flow Rate and Static Pressure on Safety Precautions for All Axial Fans*.

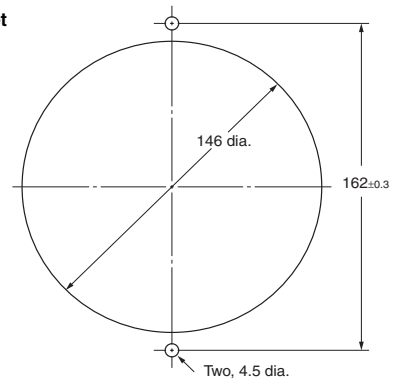
Dimensions

(Unit: mm)



Panel Cutouts

Outlet and Inlet



Options

| Name | Model | Datasheet available |
|--------------|------------|---------------------|
| Finger Guard | R87F-FG150 | Refer to page 25. |

ALL DIMENSIONS SHOWN ARE IN MILLIMETERS.
To convert millimeters into inches, multiply by 0.03937. To convert grams into ounces, multiply by 0.03527.

In the interest of product improvement, specifications are subject to change without notice.

R87T-A□A05

Specifications

Ratings and Ordering Information

Note: An asterisk (*) indicates a nominal value.

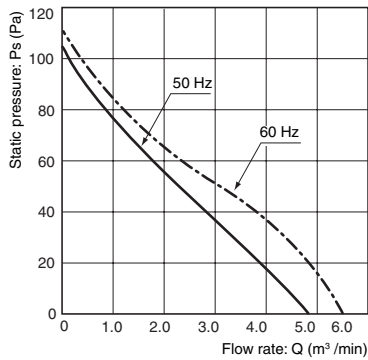
| Item Model | Rated voltage (V) | Permitted voltage fluctuation range (%) | Frequency (Hz) | Rated current (A) * | | Rated input (W) * | | Rated rotational speed (r/min) * | | Maximum flow rate (m ³ /min) * | | Maximum static pressure (Pa) * | | Noise (dB) * | |
|---------------|-------------------|---|----------------|---------------------|-------|-------------------|-------|----------------------------------|-------|---|-------|--------------------------------|-------|--------------|-------|
| | | | | 50 Hz | 60 Hz | 50 Hz | 60 Hz | 50 Hz | 60 Hz | 50 Hz | 60 Hz | 50 Hz | 60 Hz | 50 Hz | 60 Hz |
| R87T-A1A05H | 100 | 85% to 110% rated voltage | 50/60 | 0.550 | 0.460 | 50 | 48 | 2,650 | 3,100 | 4.8 | 5.7 | 104 | 107 | 56 | 58 |
| R87T-A3A05H | 115 | | | 0.470 | 0.390 | | | | | | | | | | |
| R87T-A4A05H | 200 | | | 0.260 | 0.220 | | | | | | | | | | |
| R87T-A6A05H | 230 | | | 0.220 | 0.190 | | | | | | | | | | |

Characteristics

| | |
|--------------------------------------|--|
| Motor type | Single-phase shading coil induction motor (2-pole, open type) |
| Terminal type | Lead wires |
| Insulation class | IEC class B (130°C) UL class A (105°C) |
| Insulation resistance | 100 MΩ min. (at 500 VDC) between all power supply connections and uncharged metal parts. |
| Insulation withstand voltage | 2,000 VAC (1 minute) between all power supply connections and uncharged metal parts. |
| Ambient operating temperature | -20 to 70°C (no icing) |
| Ambient storage temperature | -40 to 85°C (no icing) |
| Ambient humidity | 25% to 85% |
| Protection | Thermal protection |
| Materials | Frame: Die-cast aluminum Blades: Steel plate (mat black baked coating) |
| Bearings | Ball bearings |
| Weight | Approx. 840 g |
| Compliant standards | EN/IEC 60335 (CE marking compliant) |
| Certified standards | UL |

Flow Rate and Static Pressure Characteristics (Reference Value)

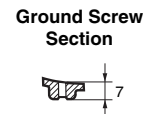
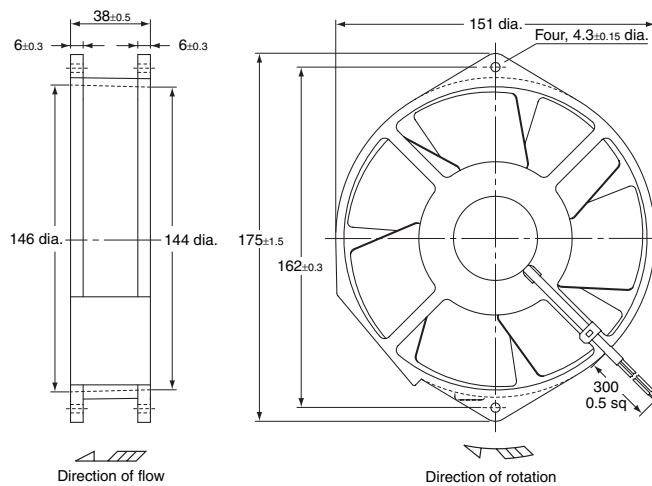
R87T-A□A05H



Note: For details on measurement conditions, refer to *Flow Rate and Static Pressure on Safety Precautions for All Axial Fans*.

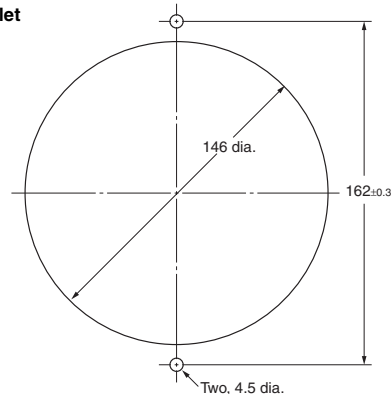
Dimensions

(Unit: mm)



Panel Cutouts

Outlet and Inlet



Options

| Name | Model | Datasheet available |
|--------------|------------|---------------------|
| Finger Guard | R87F-FG150 | Refer to page 25. |

ALL DIMENSIONS SHOWN ARE IN MILLIMETERS.
To convert millimeters into inches, multiply by 0.03937. To convert grams into ounces, multiply by 0.03527.

In the interest of product improvement, specifications are subject to change without notice.

R87T-A□A15

Specifications

Ratings and Ordering Information

Note: An asterisk (*) indicates a nominal value.

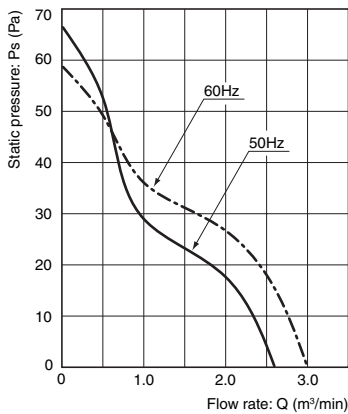
| Item Model | Rated voltage (V) | Permitted voltage fluctuation range (%) | Frequency (Hz) | Rated current (A) * | | Rated input (W) * | | Rated rotational speed (r/min) * | | Maximum flow rate (m ³ /min) * | | Maximum static pressure (Pa) * | | Noise (dB) * | |
|---------------|-------------------|---|----------------|---------------------|-------|-------------------|-------|----------------------------------|-------|---|-------|--------------------------------|-------|--------------|-------|
| | | | | 50 Hz | 60 Hz | 50 Hz | 60 Hz | 50 Hz | 60 Hz | 50 Hz | 60 Hz | 50 Hz | 60 Hz | 50 Hz | 60 Hz |
| R87T-A1A15HP | 100 | 85% to 110% rated voltage | 50/60 | 0.250 | 0.210 | 20 | 18 | 2,700 | 3,100 | 2.6 | 3.0 | 66.6 | 58.8 | 42 | 46 |
| R87T-A3A15HP | 115 | | | 0.215 | 0.190 | | | | | | | | | | |
| R87T-A4A15HP | 200 | | | 0.130 | 0.110 | | | | | | | | | | |
| R87T-A6A15HP | 230 | | | 0.105 | 0.095 | | | | | | | | | | |
| R87T-A1A15MP | 100 | 85% to 110% rated voltage | 50/60 | 0.220 | 0.190 | 16 | 14 | 2,350 | 2,750 | 1.7 | 2.0 | 36.7 | 37.3 | 36 | 40 |
| R87T-A3A15MP | 115 | | | 0.200 | 0.170 | | | | | | | | | | |
| R87T-A4A15MP | 200 | | | 0.110 | 0.100 | | | | | | | | | | |
| R87T-A6A15MP | 230 | | | 0.100 | 0.085 | | | | | | | | | | |

Characteristics

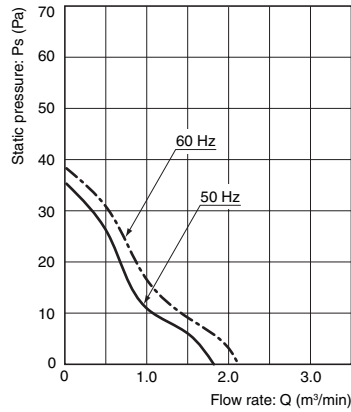
| | |
|--------------------------------------|--|
| Motor type | Single-phase shading coil induction motor (2-pole, open type) |
| Terminal type | Terminals |
| Insulation class | IEC class B (130°C) UL class A (105°C) |
| Insulation resistance | 100 MΩ min. (at 500 VDC) between all power supply connections and uncharged metal parts. |
| Insulation withstand voltage | 2,000 VAC (1 minute) between all power supply connections and uncharged metal parts. |
| Ambient operating temperature | -20 to 70°C (no icing) |
| Ambient storage temperature | -40 to 85°C (no icing) |
| Ambient humidity | 25% to 85% |
| Protection | Impedance protection |
| Materials | Frame: Die-cast aluminum Blades: Steel plate (black coating) |
| Bearings | Ball bearings |
| Weight | Approx. 570 g |
| Compliant standards | PSE, EN/IEC 60335 (CE marking compliant) |
| Certified standards | UL |

Flow Rate and Static Pressure Characteristics (Reference Values)

R87T-A□A15HP



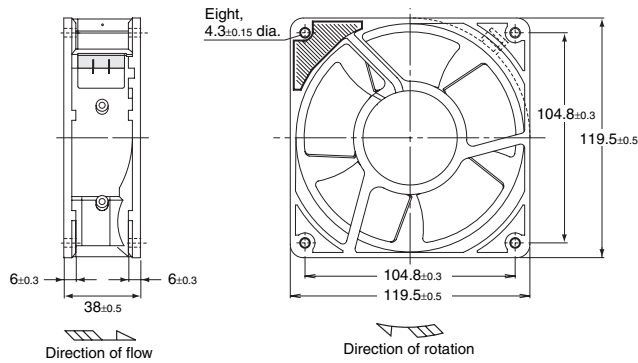
R87T-A□A15MP



Note: For details on measurement conditions, refer to *Flow Rate and Static Pressure on Safety Precautions for All Axial Fans*.

Dimensions

(Unit: mm)



Screw hole for grounding



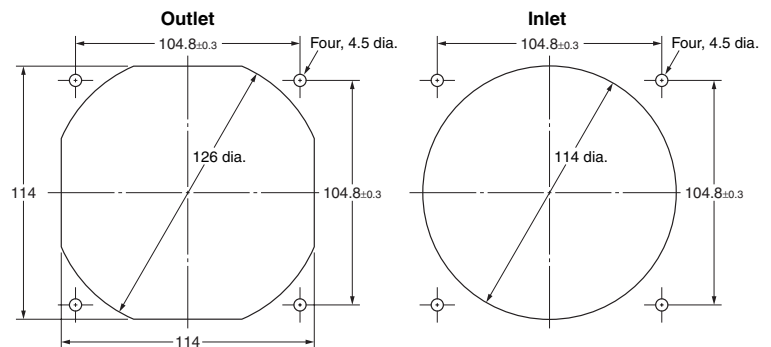
M4 screw: 0.7 pitch

Terminal shape



Faston #110 terminal (or equivalent)

Panel Cutouts



Options

| Name | Model | Datasheet available |
|--------------|---------------|---------------------|
| Plug Cord | R87F-PC | Refer to page 24. |
| Finger Guard | R87F-FG120 | Refer to page 25. |
| Filter | R87F-FL120(S) | Refer to page 26. |

ALL DIMENSIONS SHOWN ARE IN MILLIMETERS.

To convert millimeters into inches, multiply by 0.03937. To convert grams into ounces, multiply by 0.03527.

In the interest of product improvement, specifications are subject to change without notice.

R87T-A□A85

Specifications

Ratings and Ordering Information

Note: An asterisk (*) indicates a nominal value.

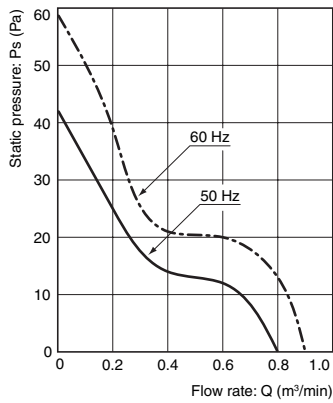
| Item Model | Rated voltage (V) | Permitted voltage fluctuation range (%) | Frequency (Hz) | Rated current (A) * | | Rated input (W) * | | Rated rotational speed (r/min) * | | Maximum flow rate (m ³ /min) * | | Maximum static pressure (Pa) * | | Noise (dB) * | |
|---------------|-------------------|---|----------------|---------------------|-------|-------------------|-------|----------------------------------|-------|---|-------|--------------------------------|-------|--------------|-------|
| | | | | 50 Hz | 60 Hz | 50 Hz | 60 Hz | 50 Hz | 60 Hz | 50 Hz | 60 Hz | 50 Hz | 60 Hz | 50 Hz | 60 Hz |
| R87T-A1A85H | 100 | 85% to 110% rated voltage | 50/60 | 0.180 | 0.160 | 12 | 10 | 2,800 | 3,300 | 0.80 | 0.90 | 42 | 58 | 37 | 40 |
| R87T-A3A85H | 115 | | | 0.155 | 0.135 | | | | | | | | | | |
| R87T-A4A85H | 200 | | | 0.085 | 0.075 | | | | | | | | | | |
| R87T-A6A85H | 230 | | | 0.080 | 0.070 | | | | | | | | | | |

Characteristics

| | |
|--------------------------------------|--|
| Motor type | Single-phase shading coil induction motor (2-pole, open type) |
| Terminal type | Lead wires |
| Insulation class | IEC class B (130°C) UL class A (105°C) |
| Insulation resistance | 100 MΩ min. (at 500 VDC) between all power supply connections and uncharged metal parts. |
| Insulation withstand voltage | 2,000 VAC (1 minute) between all power supply connections and uncharged metal parts. |
| Ambient operating temperature | -20 to 70°C (no icing) |
| Ambient storage temperature | -40 to 85°C (no icing) |
| Ambient humidity | 25% to 85% |
| Protection | Impedance protection |
| Materials | Frame: Die-cast aluminum Blades: Steel plate (black coating) |
| Bearings | Ball bearings |
| Weight | Approx. 440 g |
| Compliant standards | EN/IEC 60335 (CE marking compliant) |
| Certified standards | UL |

Flow Rate and Static Pressure Characteristics (Reference Values)

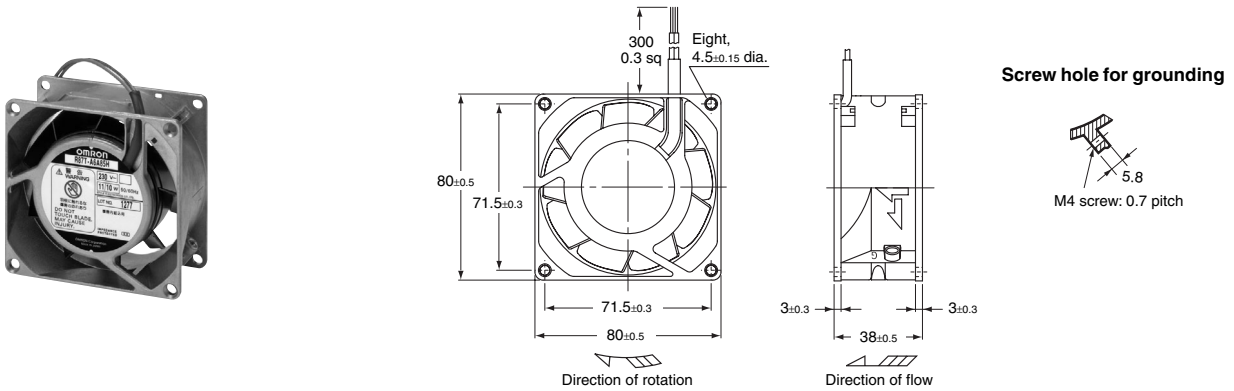
R87T-A□A85H



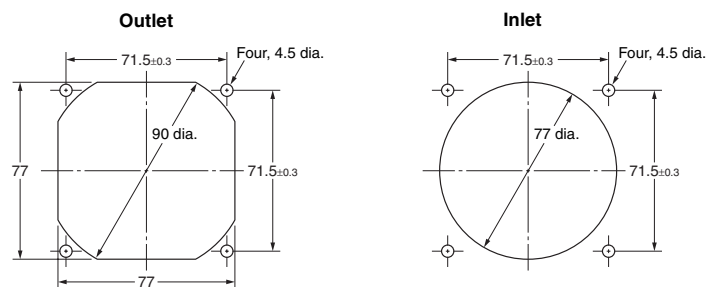
Note: For details on measurement conditions, refer to *Flow Rate and Static Pressure on Safety Precautions for All Axial Fans*.

Dimensions

(Unit: mm)



Panel Cutouts



Options

| Name | Model | Datasheet available |
|--------------|-----------|---------------------|
| Finger Guard | R87F-FG80 | Refer to page 25. |
| Filter | R87F-FL80 | Refer to page 26. |

ALL DIMENSIONS SHOWN ARE IN MILLIMETERS.
To convert millimeters into inches, multiply by 0.03937. To convert grams into ounces, multiply by 0.03527.

In the interest of product improvement, specifications are subject to change without notice.

R87T-A□A83

Specifications

Ratings and Ordering Information

Note: An asterisk (*) indicates a nominal value.

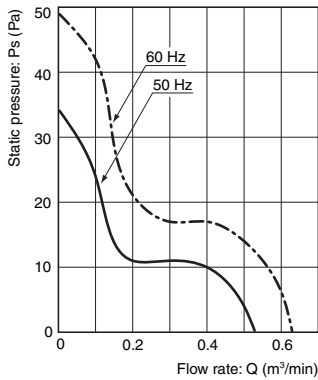
| Item Model | Rated voltage (V) | Permitted voltage fluctuation range (%) | Frequency (Hz) | Rated current (A)* | | Rated input (W)* | | Rated rotational speed (r/min)* | | Maximum flow rate (m ³ /min)* | | Maximum static pressure (Pa)* | | Noise (dB)* | |
|---------------|-------------------|---|----------------|--------------------|-------|------------------|-------|---------------------------------|-------|--|-------|-------------------------------|-------|-------------|-------|
| | | | | 50 Hz | 60 Hz | 50 Hz | 60 Hz | 50 Hz | 60 Hz | 50 Hz | 60 Hz | 50 Hz | 60 Hz | 50 Hz | 60 Hz |
| R87T-A1A83H | 100 | 85% to 110% rated voltage | 50/60 | 0.180 | 0.150 | 12 | 11 | 2,500 | 3,000 | 0.5 | 0.6 | 34.0 | 49.0 | 33 | 36 |
| R87T-A3A83H | 115 | | | 0.150 | 0.130 | | | | | | | | | | |
| R87T-A4A83H | 200 | | | 0.087 | 0.075 | | | | | | | | | | |
| R87T-A6A83H | 230 | | | 0.075 | 0.065 | | | | | | | | | | |

Characteristics

| | | |
|--------------------------------------|--|-----------------------------|
| Motor type | Single-phase shading coil induction motor (2-pole, open type) | |
| Terminal type | Lead wires | |
| Insulation class | IEC class B (130°C) UL class A (105°C) | |
| Insulation resistance | 100 MΩ min. (at 500 VDC) between all power supply connections and uncharged metal parts. | |
| Insulation withstand voltage | 2,000 VAC (1 minute) between all power supply connections and uncharged metal parts. | |
| Ambient operating temperature | -20 to 70°C (no icing) | |
| Ambient storage temperature | -40 to 85°C (no icing) | |
| Ambient humidity | 25% to 85% | |
| Protection | Impedance protection | |
| Materials | Frame | Die-cast aluminum |
| | Blades | Steel plate (black coating) |
| Bearings | Ball bearings | |
| Weight | Approx. 330 g | |
| Standards | EN/IEC 60335 (CE marking compliant) | |
| Certified standards | UL | |

Flow Rate and Static Pressure Characteristics (Reference Values)

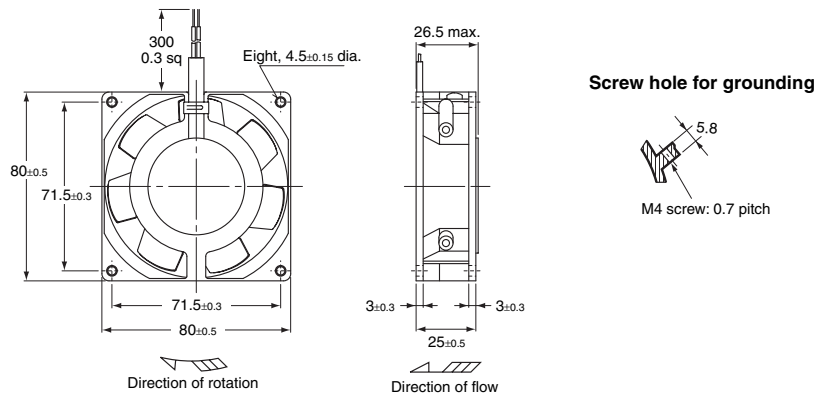
R87T-A □ A83H



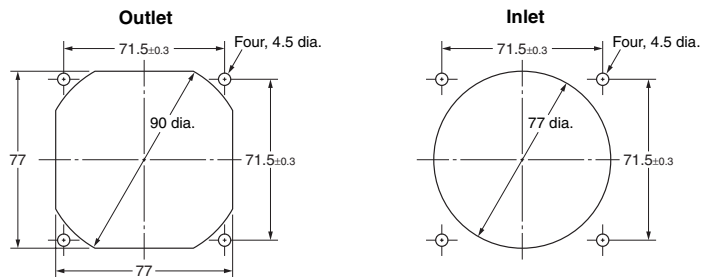
Note: For details on measurement conditions, refer to *Flow Rate and Static Pressure on Safety Precautions for All Axial Fans*.

Dimensions

(Unit: mm)



Panel Cutouts



Options

| Name | Model | Datasheet available |
|--------------|-----------|---------------------|
| Finger Guard | R87F-FG80 | Refer to page 25. |
| Filter | R87F-FL80 | Refer to page 26. |

ALL DIMENSIONS SHOWN ARE IN MILLIMETERS.
To convert millimeters into inches, multiply by 0.03937. To convert grams into ounces, multiply by 0.03527.

In the interest of product improvement, specifications are subject to change without notice.

Plug Cord R87F-PC

Accessories (Order Separately)

Available Models

| Cord length | Model number | Weight (g) |
|-------------|--------------|------------|
| 1 m | R87F-PC | 39 |
| 2 m | R87F-PC-20 | 69 |

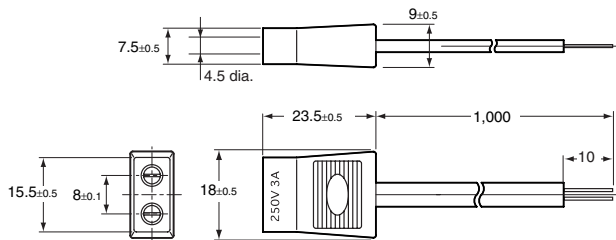
R87F-PC Rating: 250 VAC, 3 A
UL-certified Plug Cord



Dimensions

(Unit: mm)

R87F-PC



Connectable to Faston #110 terminals (or equivalent).

Note: This Plug Cord is used for Axial Fans with terminals.

ALL DIMENSIONS SHOWN ARE IN MILLIMETERS.
To convert millimeters into inches, multiply by 0.03937. To convert grams into ounces, multiply by 0.03527.

In the interest of product improvement, specifications are subject to change without notice.

Accessories (Order Separately)

Available Models

| Size | Model number | Weight (g) |
|-----------|--------------|------------|
| 150 dia. | R87F-FG150 | Approx. 58 |
| 120 × 120 | R87F-FG120 | Approx. 45 |
| 92 × 92 | R87F-FG90 | Approx. 25 |
| 80 × 80 | R87F-FG80 | Approx. 20 |

Applicable Axial Fans

| AC Axial Fan | | Finger Guard |
|--------------|--------------------------------------|--------------|
| Size | Model | |
| 150 dia. | R87T-A□A0 Series | R87F-FG150 |
| 120 × 120 | R87F-A□A1 Series R87T-A□A1 Series | R87F-FG120 |
| 92 × 92 | R87F-A□A9 Series | R87F-FG90 |
| 80 × 80 | R87F-A□A8 Series R87T-A□A8 Series | R87F-FG80 |

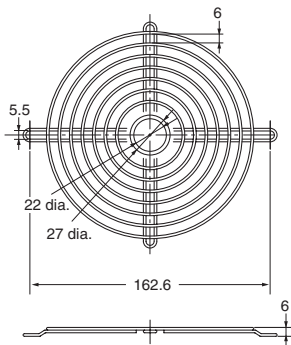
Note: Finger Guards reduce the flow rate by approximately 2% to 5%.

Dimensions

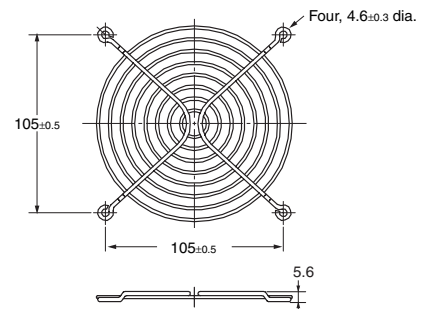
(Unit: mm)

Material: steel, Joints: spot welded, Surface: nickel-chrome plated

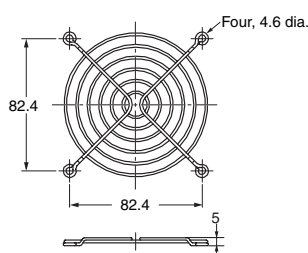
R87F-FG150



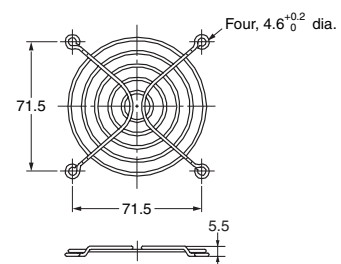
R87F-FG120



R87F-FG90



R87F-FG80



ALL DIMENSIONS SHOWN ARE IN MILLIMETERS.

To convert millimeters into inches, multiply by 0.03937. To convert grams into ounces, multiply by 0.03527.

In the interest of product improvement, specifications are subject to change without notice.

R87F-FL

Accessories (Order Separately)

Available Models

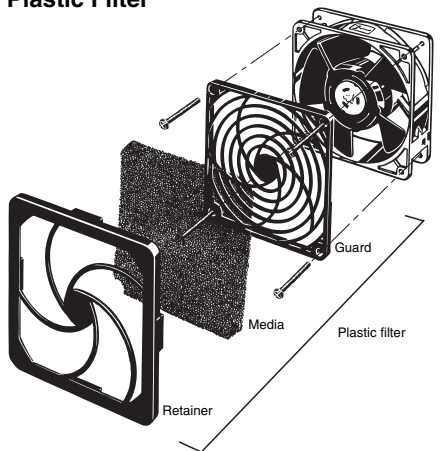
| Size | Model number | Weight (g) |
|-----------|--------------|------------|
| 120 × 120 | R87F-FL120 | Approx. 43 |
| 92 × 92 | R87F-FL90 | Approx. 30 |
| 80 × 80 | R87F-FL80 | Approx. 21 |
| 120 × 120 | R87F-FL120S | Approx. 19 |

Applicable Axial Fans

| AC Axial Fan | | Filter | |
|--------------|--------------------------------------|------------|-------------|
| Size | Model | Plastic | Aluminum |
| 150 dia. | R87T-A□A0 Series | --- | --- |
| 120 × 120 | R87F-A□A1 Series R87T-A□A1 Series | R87F-FL120 | R87F-FL120S |
| 92 × 92 | R87F-A□A9 Series | R87F-FL90 | --- |
| 80 × 80 | R87F-A□A8 Series R87T-A□A8 Series | R87F-FL80 | --- |

Note: Filters reduce the flow rate by approximately 20% to 40%. Ensure that there is no clogging.

R87F-FL□ Plastic Filter



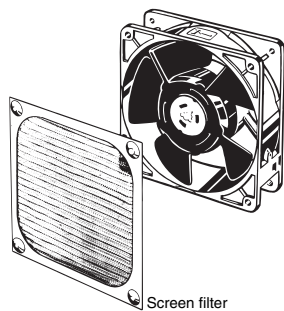
Mounting Method

1. Attach the guard to the Fan using the mounting bolts. (There are no mounting bolts provided with the Plastic Filter.)
2. With the media held between the retainer and the guard, hook the retainer to the guard. (The Media and retainer can be one-touch mounted/dismounted.)

Note: Use the following model number to order the Media only.

R87F-FL□-M□ (□: 120, 90, or 80)
(One set containing five Media, weight: 5 g max.)

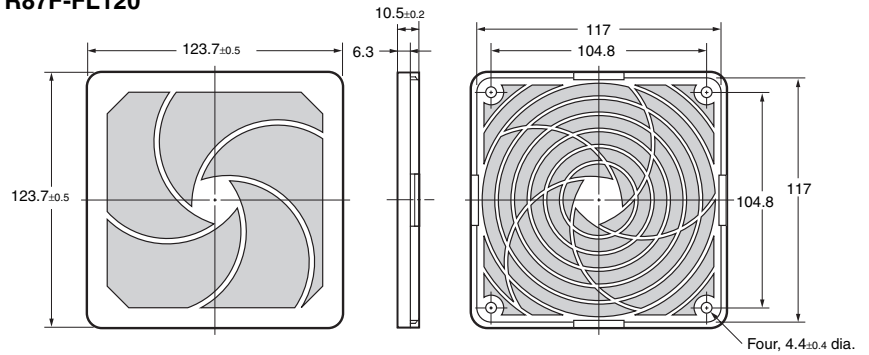
R87F-FL120S Screen Filter



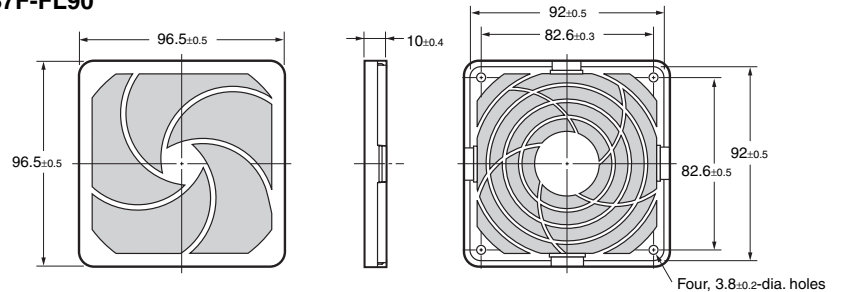
Dimensions

(Unit: mm)

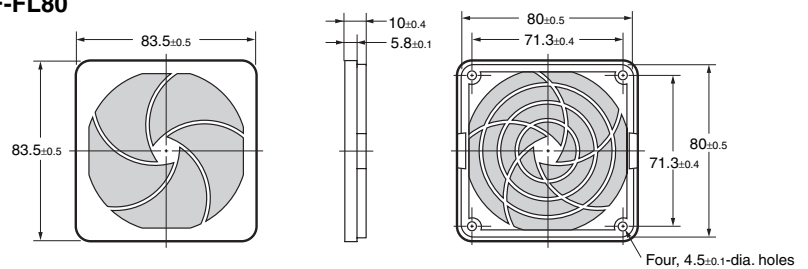
R87F-FL120



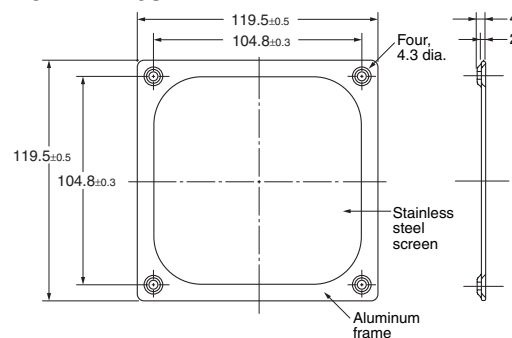
R87F-FL90



R87F-FL80



R87F-FL120S



- Note:**
1. The Screen Filter is made using aluminum and has an **EMI/RFI** shielding effect.
 2. When mounting the Screen Filter, make sure that it does not come in contact with the fan blades.
 3. The screen is a 30 × 30 aluminum mesh.

ALL DIMENSIONS SHOWN ARE IN MILLIMETERS.
To convert millimeters into inches, multiply by 0.03937. To convert grams into ounces, multiply by 0.03527.

In the interest of product improvement, specifications are subject to change without notice.

Read and Understand This Catalog

Please read and understand this catalog before purchasing the products. Please consult your OMRON representative if you have any questions or comments.

Warranty and Limitations of Liability

WARRANTY

OMRON's exclusive warranty is that the products are free from defects in materials and workmanship for a period of one year (or other period if specified) from date of sale by OMRON.

OMRON MAKES NO WARRANTY OR REPRESENTATION, EXPRESS OR IMPLIED, REGARDING NON-INFRINGEMENT, MERCHANTABILITY, OR FITNESS FOR PARTICULAR PURPOSE OF THE PRODUCTS. ANY BUYER OR USER ACKNOWLEDGES THAT THE BUYER OR USER ALONE HAS DETERMINED THAT THE PRODUCTS WILL SUITABLY MEET THE REQUIREMENTS OF THEIR INTENDED USE. OMRON DISCLAIMS ALL OTHER WARRANTIES, EXPRESS OR IMPLIED.

LIMITATIONS OF LIABILITY

OMRON SHALL NOT BE RESPONSIBLE FOR SPECIAL, INDIRECT, OR CONSEQUENTIAL DAMAGES, LOSS OF PROFITS OR COMMERCIAL LOSS IN ANY WAY CONNECTED WITH THE PRODUCTS, WHETHER SUCH CLAIM IS BASED ON CONTRACT, WARRANTY, NEGLIGENCE, OR STRICT LIABILITY.

In no event shall the responsibility of OMRON for any act exceed the individual price of the product on which liability is asserted.

IN NO EVENT SHALL OMRON BE RESPONSIBLE FOR WARRANTY, REPAIR, OR OTHER CLAIMS REGARDING THE PRODUCTS UNLESS OMRON'S ANALYSIS CONFIRMS THAT THE PRODUCTS WERE PROPERLY HANDLED, STORED, INSTALLED, AND MAINTAINED AND NOT SUBJECT TO CONTAMINATION, ABUSE, MISUSE, OR INAPPROPRIATE MODIFICATION OR REPAIR.

Application Considerations

SUITABILITY FOR USE

OMRON shall not be responsible for conformity with any standards, codes, or regulations that apply to the combination of products in the customer's application or use of the products.

At the customer's request, OMRON will provide applicable third party certification documents identifying ratings and limitations of use that apply to the products. This information by itself is not sufficient for a complete determination of the suitability of the products in combination with the end product, machine, system, or other application or use.

The following are some examples of applications for which particular attention must be given. This is not intended to be an exhaustive list of all possible uses of the products, nor is it intended to imply that the uses listed may be suitable for the products:

- Outdoor use, uses involving potential chemical contamination or electrical interference, or conditions or uses not described in this catalog.
- Nuclear energy control systems, combustion systems, railroad systems, aviation systems, medical equipment, amusement machines, vehicles, safety equipment, and installations subject to separate industry or government regulations.
- Systems, machines, and equipment that could present a risk to life or property.

Please know and observe all prohibitions of use applicable to the products.

NEVER USE THE PRODUCTS FOR AN APPLICATION INVOLVING SERIOUS RISK TO LIFE OR PROPERTY WITHOUT ENSURING THAT THE SYSTEM AS A WHOLE HAS BEEN DESIGNED TO ADDRESS THE RISKS, AND THAT THE OMRON PRODUCTS ARE PROPERLY RATED AND INSTALLED FOR THE INTENDED USE WITHIN THE OVERALL EQUIPMENT OR SYSTEM.

PROGRAMMABLE PRODUCTS

OMRON shall not be responsible for the user's programming of a programmable product, or any consequence thereof.

Disclaimers

CHANGE IN SPECIFICATIONS

Product specifications and accessories may be changed at any time based on improvements and other reasons.

It is our practice to change model numbers when published ratings or features are changed, or when significant construction changes are made. However, some specifications of the products may be changed without any notice. When in doubt, special model numbers may be assigned to fix or establish key specifications for your application on your request. Please consult with your OMRON representative at any time to confirm actual specifications of purchased products.

DIMENSIONS AND WEIGHTS

Dimensions and weights are nominal and are not to be used for manufacturing purposes, even when tolerances are shown.

PERFORMANCE DATA

Performance data given in this catalog is provided as a guide for the user in determining suitability and does not constitute a warranty. It may represent the result of OMRON's test conditions, and the users must correlate it to actual application requirements. Actual performance is subject to the OMRON Warranty and Limitations of Liability.

ERRORS AND OMISSIONS

The information in this document has been carefully checked and is believed to be accurate; however, no responsibility is assumed for clerical, typographical, or proofreading errors, or omissions.

2009.1

In the interest of product improvement, specifications are subject to change without notice.

OMRON Corporation
Industrial Automation Company

<http://www.ia.omron.com/>

(c)Copyright OMRON Corporation 2009 All Right Reserved.