

Differential Pressure Sensor

E8Y

"Cube" Type Differential Pressure Sensor with LED Display Offers High Precision Sensing

- New *psi version* available
- Compact, cube-style measuring 31 x 30 x 30 mm (1.22 x 1.18 x 1.18 in) saves mounting space
- Easy-to-read red LEDs
- Digital and analog output available
- Flow sensing type available
- PNP output types available upon special request



Ordering Information

■ SENSOR

| Type | Digital output | Analog output | Pressure range | Port/Mounting | Part number | | |
|--|--|---------------|--|---------------------|---------------------|------------------|-------------------|
| Miniature differential pressure sensor | NPN open collector (2 independent outputs) | — | 0 to 2.0 kPa | 4.5 mm dia. pipe | E8Y-A2C | | |
| | | | | 1/8 NPT | E8Y-A2C-R | | |
| | | | 0 to 5.0 kPa | 4.5 mm dia. pipe | E8Y-A5C | | |
| | | | | 1/8 NPT | E8Y-A5C-R | | |
| | | | 0 to 0.290 psi | 4.5 mm dia. pipe | E8Y-A2C-D | | |
| | | | | 1/8 NPT | E8Y-A2C-RD | | |
| | | | | 4 to 20 mA | 0 to 2.0 kPa | 4.5 mm dia. pipe | E8Y-A2Y |
| | | | | | | 1/8 NPT | E8Y-A2Y-R |
| | | | | | 0 to 5.0 kPa | 4.5 mm dia. pipe | E8Y-A5Y |
| | | | | | | 1/8 NPT | E8Y-A5Y-R |
| | | | | | 0 to 0.290 psi | 4.5 mm dia. pipe | E8Y-A2Y-D |
| | | | | | | 1/8 NPT | E8Y-A2Y-RD |
| Flow sensor | — | — | 0.3 to 3.0 liter/min. (0.07 to 0.68 gal./min.) | 1/8 NPT, vertical | E8Y-A5C-F03V | | |
| | | | | 1/8 NPT, horizontal | E8Y-A5C-F03H | | |
| | | | 2.0 to 20 liter/min. (0.45 to 4.54 gal./min.) | 1/8 NPT, vertical | E8Y-A5C-F20V | | |
| | | | | 1/8 NPT, horizontal | E8Y-A5C-F20H | | |

■ ACCESSORIES

| Description | Part number |
|------------------------|---------------|
| Panel-mounting bracket | E89-Y1 |

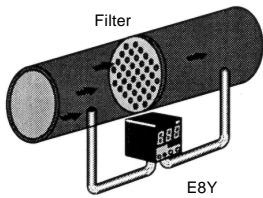
Specifications

■ RATINGS/CHARACTERISTICS

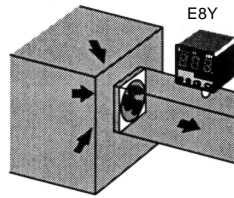
| Item | E8Y-A2C E8Y-A2C-R E8Y-A2C-D E8Y-A2C-RD | E8Y-A5C E8Y-A5C-R E8Y-A5C-D E8Y-A5C-RD | E8Y-A2Y E8Y-A2Y-R E8Y-A2Y-D E8Y-A2Y-RD | E8Y-A5Y E8Y-A5Y-R E8Y-A5Y-D E8Y-A5Y-RD | E8Y-A5C-F03V E8Y-A5C-F03H | E8Y-A5Y-F20V E8Y-A5Y-F20H |
|-----------------------------------|---|---|---|---|--|---|
| Sensor type | Differential pressure sensor | | | | Flow sensor | |
| Power supply voltage | 12 to 24 VDC $\pm 10\%$, ripple (p-p) 10% max. | | | | | |
| Current consumption | 50 mA max. | | 75 mA max. | | 50 mA max. | |
| Pressure type | Differential pressure | | | | Differential pressure sensing | |
| Rated pressure / volume range | 0 to 2.0 kPa 0 to 0.29 psi | 0 to 5.0 kPa 0 to 0.73 psi | 0 to 2.0 kPa 0 to 0.29 psi | 0 to 5.0 kPa 0 to 0.73 psi | 0.3 to 3.0 L/min. 0.068 to 0.68 gal/min. | 2.0 to 20.0 L/min. 0.45 to 4.54 gal/min. |
| Withstand pressure / volume | 50 kPa (7.25 psi) | | | | 5 L/min (1.14 gal) | 40 L/min (9.08 gal) |
| Applicable fluid | Non-corrosive gas and non-flammable gas | | | | | |
| Accuracy | $\pm 3\%$ FS max. | | | | | |
| Linearity | $\pm 1\%$ FS max. | | | | | |
| Response time (digital output) | ± 0.5 sec max. | | | | | |
| Linear output | — | | 4 to 20 mA $\pm 1\%$ FS with a permissible resistive load of 250 Ω | | — | |
| Digital output | NPN open collector (NO/NC) Load current: 100 mA max. Applied voltage: 30 VDC max. Residual voltage: 1 V max. with a load current of 100 mA or 0.4 V max. with a load current of 16 mA | | | | | |
| Display | 3 digit red LED; the orange LED indicator is lit for two independent outputs. | | | | | |
| Display accuracy | $\pm 1\%$ FS | | | | $\pm 3\%$ FS | |
| Circuit protection | Reverse polarity connection, load short-circuiting | | | | | |
| Ambient temperature | Operating: -10°C to 55°C (14°F to 131°F) with no icing Storage: -25°C to 65°C (-13°F to 149°F) | | | | | |
| Ambient humidity | Operating: 25% to 85% (with no condensation) | | | | | |
| Temperature influence | $\pm 3\%$ FS max. | | | | | |
| Voltage influence | $\pm 1.5\%$ FS max. | | | | | |
| Setting resolution | 0.01 kPa 0.001 psi | | | | 0.0 1L/min. | 0.1 L/min. |
| Insulation resistance | 100 M Ω (at 500 VDC) between current-carry parts and case | | | | | |
| Dielectric strength | 1,000 VAC 50/60 Hz at 1 min. | | | | | |
| Vibration resistance | Endurance: 10 to 500 Hz, 1.0-mm double amplitude or 150 m/s ² , 3 times each for 11 min. in X, Y and Z directions | | | | | |
| Shock resistance | Endurance: 300 m/s ² (30G) 3 times each to X, Y and Z directions | | | | | |
| Degree of protection | IEC60529, IP40 | | | | | |
| Pressure port | NPT 1/8 female screw or 4.5 dia. pipe | | | | 1/8 NPT female screw | |
| Connection method | Pre-wired (standard length: 2 m) | | | | | |
| Cable | Approved by UL | | | | | |
| Weight | Approx. 80 g (2.8 oz) (including packing material) | | | | Approx. 160 g (5.6 oz) (including packing material) | |
| Material | Pressure port: resin pipe for 4.5 dia., zinc die-cast for 1/8 NPT taper screw Case: heat-resistant PBT | | | | | |
| Accessories | Mounting bracket and instruction sheet | | | | Instruction sheet | |

Application Examples

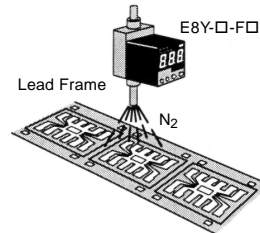
■ DETECTION OF FILTER CLOGGING



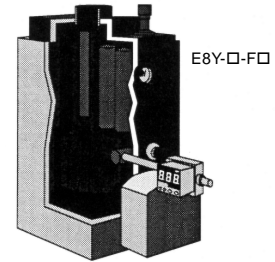
■ EXHAUST FAN ROTATION DETECTION



■ DETECTION OF FLOW

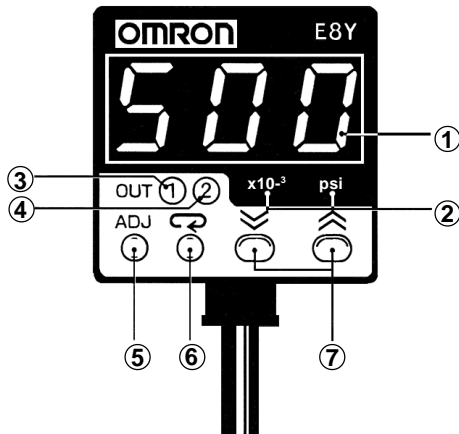


■ AIR FLOW CONTROL



Nomenclature

■ E8Y PRESSURE SENSOR



Display

① Numerical value/menu indication

Displays the measured pressure and some menu settings.

② Unit

Shows the measuring unit. Unit currently in use is illuminated.

③ OUT 1 indication LED

In measurement mode, it lights when OUT 1 output is on. In setting mode, it flashes when OUT 1 is being set.

④ OUT 2 indication LED

In measurement mode, it lights when OUT 2 output is on. In setting mode, it flashes when OUT 2 is being set.

Operation key

⑤ ADJ

In measurement mode, it adjusts the Zero Point. In setting mode, it shifts to measurement mode.

⑥ MODE

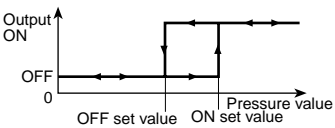
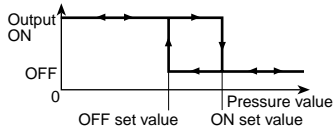
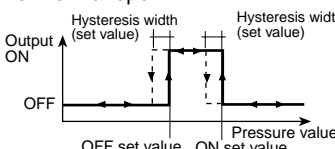
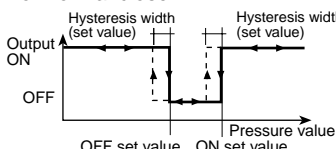
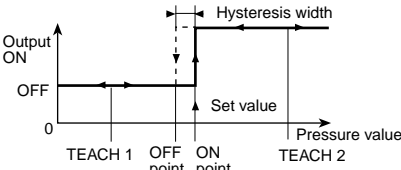
Selects the current number setting or menu option.

⑦ UP/DOWN

In measurement mode, pushing the DOWN key displays the ON and OFF points of OUT 1; pushing the UP key displays the ON and OFF points of OUT 2. In setting mode, the UP and DOWN keys increase or decrease the numeric value, respectively, or scroll through the menu options.

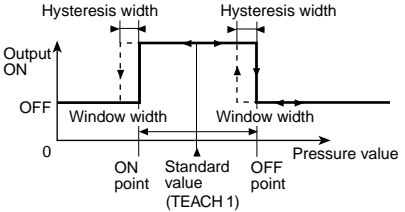
Operation

FUNCTIONS

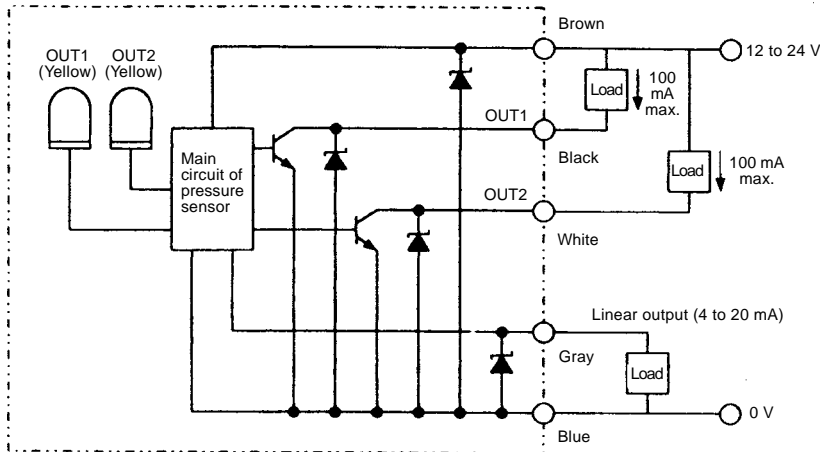
| Function | Description |
|---|--|
| Pressure units switching | Switches between mmH ₂ O and kPa, excluding the E8Y-□-F□ flow sensor. |
| Comparative ON/OFF output (two independent outputs) | <p>Two independent outputs can be set.</p> <p>(1) Output mode (mode is automatically determined from the ON and OFF point set values.)</p> <p>Hysteresis mode: If ON point set value > OFF point set value For normal open:</p>  <p>For normal close:</p>  <p>Window mode: If ON point set value < OFF point set value For normal open:</p>  <p>For normal close:</p>  <p>(2) Setting mode ON point / OFF point: Each output can be set in the range from 0 to the rated value. Set value: 0 to rated value Output configuration: Each output can be set as normally open (NO) or normally closed (NC). Setting: NO <> NC Hysteresis: Each output can be set at 10% of the range from 0 to the rated value. (Effective in window mode and 2-point auto-teaching mode.) Setting range: (0 to rated value) x 10%</p> |
| Auto-teaching | <p>When the auto-teaching mode is used, measured values can be input as ON point or OFF point set values instead of key inputs. Two types of auto-teaching are available: 1-point auto-teaching, where only one single point is set, and 2-point auto-teaching, where two points are set.</p> <p>(1) 2-point auto-teaching (Hysteresis mode teaching) This function automatically sets the ON point and OFF point for the comparative output by designating a point with no object (TEACH 1) and a point with an object (TEACH 2) using actual objects. The outputs are made in hysteresis mode. The hysteresis is a set value.</p>  <p>The set value is the mid-point between TEACH 1 and TEACH 2. Example: If TEACH 1 is 0.25 kPa and TEACH 2 is 0.95 kPa, the ON point set value = $(0.95+0.25)/2 = 0.60$</p> |

(This table continues on the next page)

Functions Table - continued from previous page

| Function | Description |
|---|--|
| Auto-teaching (continued) | <p>(2) 1-point auto-teaching (Window mode teaching) This function automatically sets the ON point and OFF point for the comparative output by inputting a reference point (TEACH 1) using an actual object. The function operates only when an object exists. The outputs are made in the window mode. The hysteresis width and window width are set values. (The window width set value is valid only when 1-point teaching is set. Setting range: (0 to rated value) x 30%)</p>  <p>The ON point and OFF point set values are set at the reference point \pm window width. Example: If the reference point (TEACH 1) is 0.90 kPa and the window width is 0.50 kPa, the ON set value = $(0.90 - 0.50)/2 = 0.20$ and the OFF point set value = $(0.90+0.50)/2 = 0.70$.</p> |
| Key-protect (Set value lock function) | This function restricts switch operation to prevent the set value from being easily changed. Set value: OFF \leftrightarrow ON |
| Set value zero-setting | Hold down the ADJ key for several seconds in the measurement mode to activate this function. |
| Speed control function with measured pressure display | Select from three values of display speed for the measured pressure values. Set value: 0.1 s, 0.5 s, 1.0 s |
| Error display | <p>(1) Pressure warning during zeroing: Error display and warning if excess pressure or flow (exceeding rated value $\pm 5\%$) is applied during zeroing. Er.0</p> <p>(2) Teaching error display: Warning if teaching is unsuccessful. Er.t</p> <p>(3) Short-circuit protection and display: If overcurrent flows in a connected load, the abnormal status is notified by an error display and the OUT LED, for the corresponding output, flashing. Transistor acts to cut the abnormal current. Er.0</p> <p>(4) Abnormal pressure or flow detection: The displayed value flashes to indicate the abnormal status if the applied pressure or flow exceeds the rated value by 10%. This error is automatically reset when the supplied value enters the rated range. 2.21</p> <p>(5) ON/OFF point input error warning: Indicates if the difference between the ON point and OFF point in the window mode exceeds the hysteresis value + setting resolution (0.01 kPa/1 mmH₂O). Er.5</p> |

■ OUTPUT CIRCUIT DIAGRAM



■ WIRING

| Color | Comparison output type | Linear output type |
|-------|-------------------------|-------------------------|
| Brown | Power supply 12 to 24 V | Power supply 12 to 24 V |
| Blue | 0 V | 0 V |
| Black | Comparison output 1 | Comparison output 1 |
| White | Comparison output 2 | Comparison output 2 |
| Gray | — | Linear output |

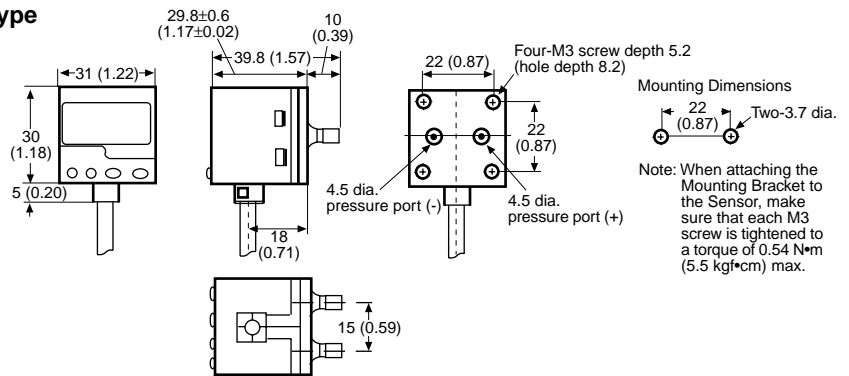
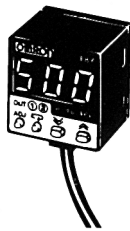
Dimensions

Unit: mm (inch)

■ CONTROLLER OF PRESSURE SENSOR

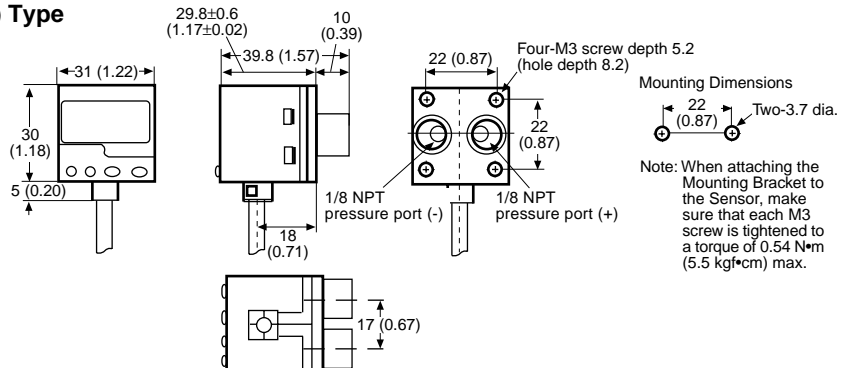
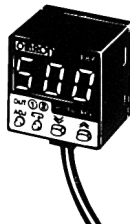
Standard Port (Pressure Port 4.5 dia.) Type

- E8Y-A2C
- E8Y-A5C
- E8Y-A2Y
- E8Y-A5Y
- E8Y-A2C-D
- E8Y-A5C-D
- E8Y-A2Y-D
- E8Y-A5Y-D



Die-cast Port (Pressure Port Rc(PT) 1/8) Type

- E8Y-A2C-R
- E8Y-A5C-R
- E8Y-A2Y-R
- E8Y-A5Y-R
- E8Y-A2C-RD
- E8Y-A5C-RD
- E8Y-A2Y-RD
- E8Y-A5Y-RD

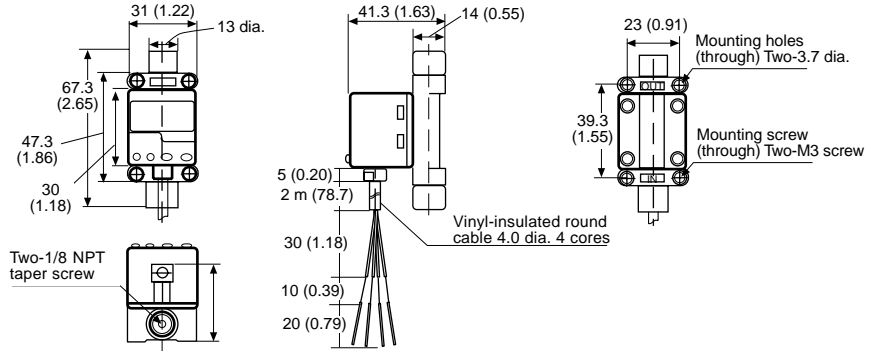
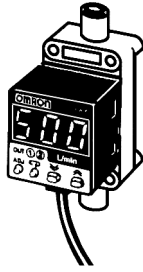


Unit: mm (inch)

■ CONTROLLER OF FLOW SENSOR

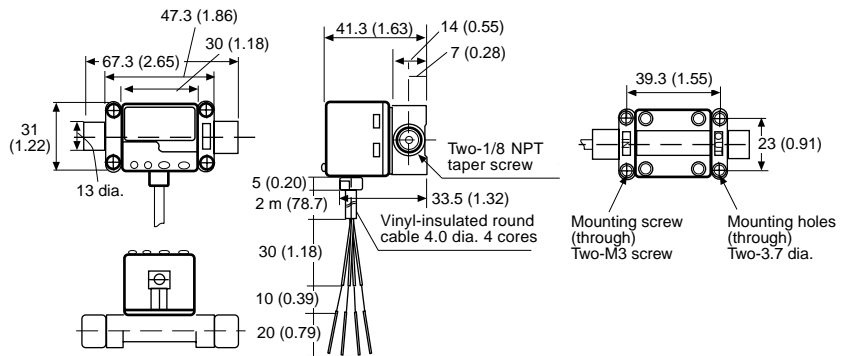
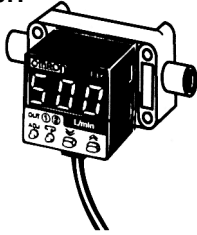
Vertical-mounting Type

E8Y-A5C-F03V
E8Y-A5C-F20V



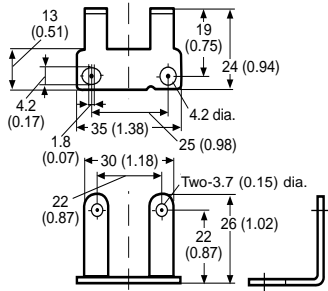
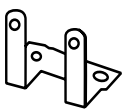
Horizontal-mounting Type

E8Y-A5C-F03H
E8Y-A5C-F20H



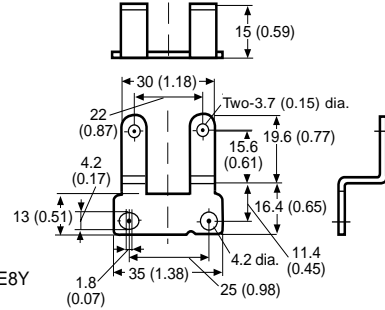
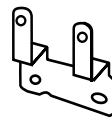
■ ACCESSORIES

Mounting Bracket A



Provided with E8Y

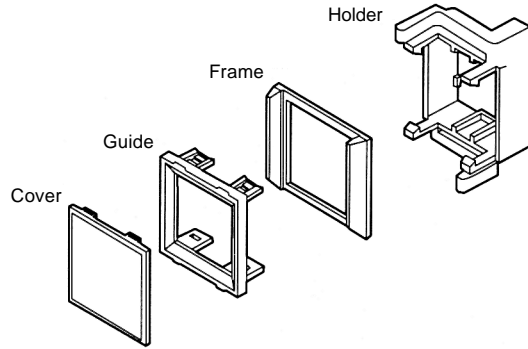
Mounting Bracket B



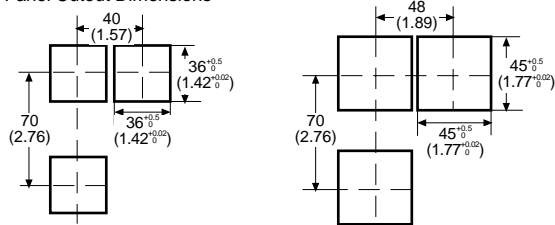
Provided with E8Y

■ PANEL MOUNTING BRACKET

E89-Y1 Panel Mounting Bracket (sold separately)

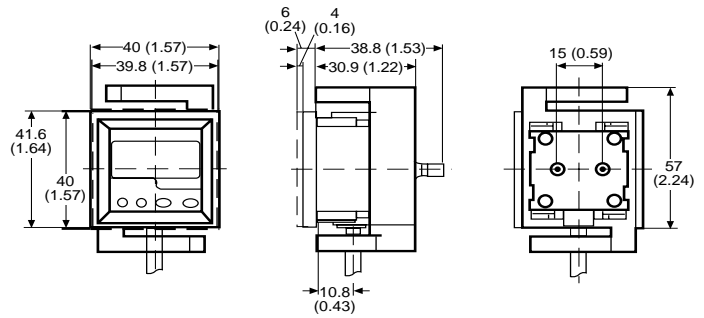


Panel Cutout Dimensions

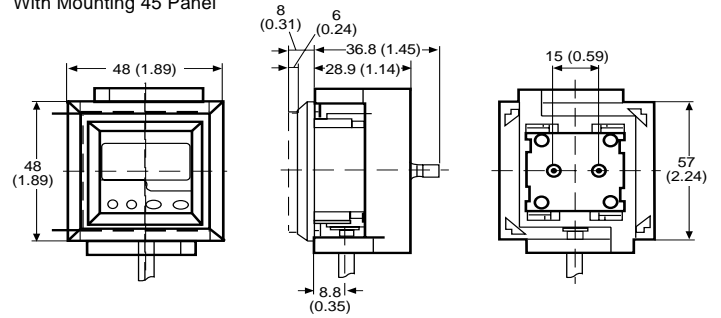


Note: Approximate panel thickness is 1.0 to 3.5 mm.

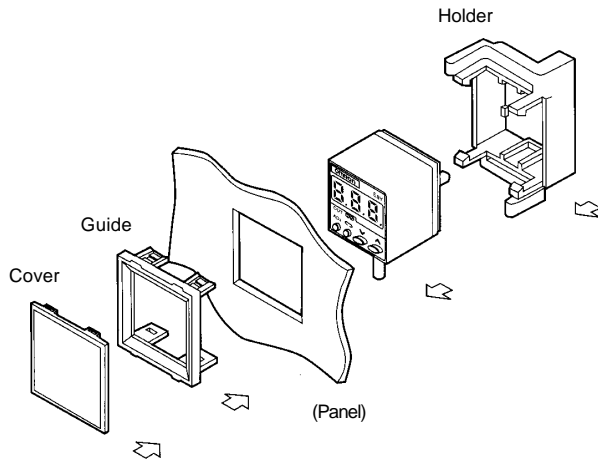
With Mounting 36 Panel



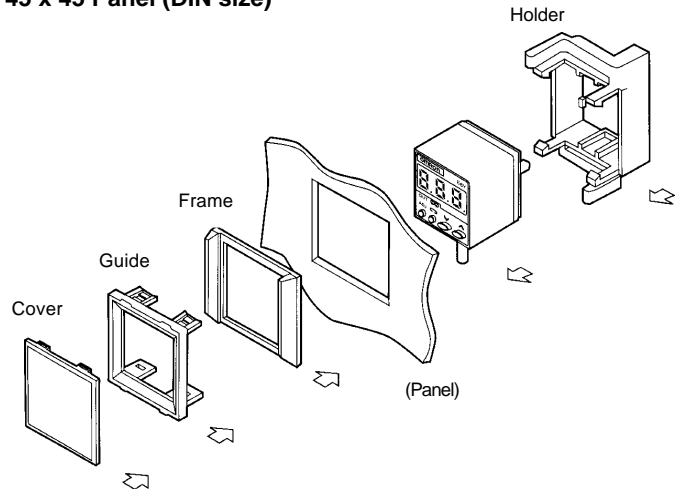
With Mounting 45 Panel



36 x 36 Panel



45 x 45 Panel (DIN size)



Precautions

■ ENVIRONMENT

- Do not use this product where explosive gas, ignitable gas, or any other harmful gas may be present.
- Do not use beyond rated supply voltage or under AC power supply. Explosion or fire may be caused.
- Do not mix up DC pole's wiring. Explosion or fire may be caused.
- This product cannot be used under corrosive gas or flammable gas.
- Do not install beside high voltage line or power line.
- Do not expose to water.
- Do not effect the product by ultrasonic vibration.

■ CORRECT USE

- Use within rated pressure.
- Do not mix up connecting +, - sign of pressure port. The "+" sign is for plus pressure, the "-" sign for minus pressure.
- Do not pull the cable more than 50 N (11.25 lbs).
- Filter the gas with an appropriate air filter so that the applied gas will be free of moisture or oil.
- When not using linear output and/or the ON/OFF output, cut the output lead wire and cover the tip with an insulation tube to prevent wrong connection.

OMRON

OMRON ELECTRONICS LLC

One East Commerce Drive
Schaumburg, IL 60173

1-800-55-OMRON

OMRON ON-LINE

Global - <http://www.omron.com>
USA - <http://www.omron.com/oei>
Canada - <http://www.omron.com/oci>

OMRON CANADA, INC.

885 Milner Avenue
Scarborough, Ontario M1B 5V8
416-286-6465