

# Z/A/X/DZ Common Accessories

## Ordering Information

### ■ Terminal Covers (Sold Separately)

#### Common to Z, A, X, and DZ Models

The Terminal Cover is secured using the switch's side mounting screws and protects the casing and terminal wires from dust, vibration, or fingers, thus preventing terminal short-circuiting, ground faults, wire disconnection or improper connection, and electric shock accidents.

Terminal Covers made of phenol resin have five or six thin wall sections. These sections can be torn open to provide holes for lead cables at desired points.

Application		Soldering terminal use	Screw terminal use	Remarks
Material	Mounting direction	Model		
Phenol resin	Side mounting	AP-A	AP-B	---
Metal press mold	Side mounting	AP1-A	AP1-B	Used for AP-A and AP-B
Vinyl chloride	Side mounting	AP-Z		---

**Note:** Use the 'Screw-terminal use' Terminal Cover for DZ-series solder terminal models.

### ■ Separator (Sold Separately)

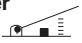
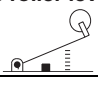


#### Common to Z, A, X, and DZ Models

**Model:** Separator for Z

### ■ Actuators (Sold Separately)

#### Common to Z and X Models

Pin Plunger Switches might need to be actuated by a cam or similar object, in which case, use one of the following Actuators according to the application.

Actuator	Common to Z and X models	
Hinge lever 	ZAA-1	
Hinge roller lever 	ZAA-2	
Panel mount plunger 	Short	ZAQ-3
	Medium	ZAQ-2
	Long	ZAQ-1
Panel mount roller plunger 	ZAQ-22	

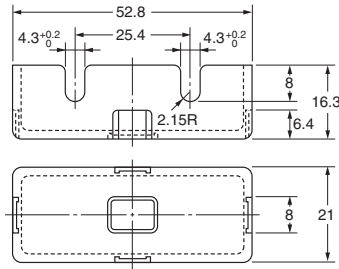
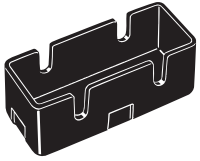
**Note:** ZAQ-22 is constructed of ferrous material. Therefore, it cannot be used with the X Switch, because of the permanent magnet contained within those models. Use the ZAQ-22 external panel mount roller plunger only with the Z or DZ switch.

# Dimensions

**Note:** Unless otherwise specified, all units are in millimeters and a tolerance of  $\pm 0.4$  mm ( $\pm 0.8$  mm for the AP-Z) applies to all dimensions.

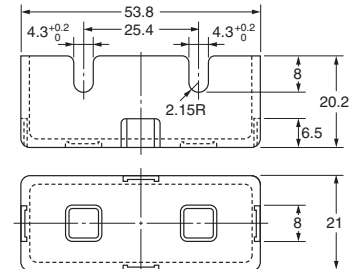
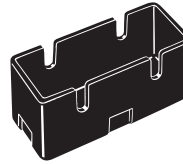
## Terminal Covers

**AP-A**  
Soldering Terminal Use  
(Phenol Resin)



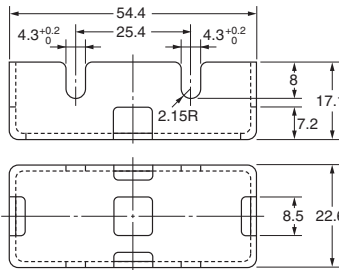
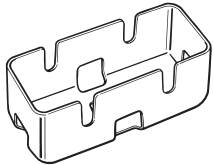
**Note:** The Cover has five thin, easy-to-separate portions for easy lead wire connections.

**AP-B**  
Screw Terminal Use  
(Phenol Resin)



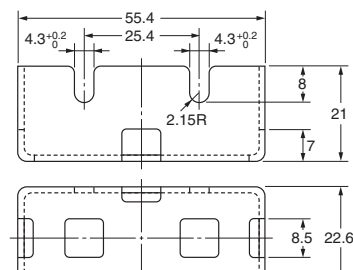
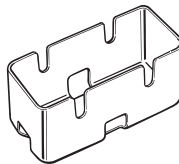
**Note:** The Cover has six thin, easy-to-separate portions for easy lead wire connections.

**AP1-A**  
Soldering Terminal Use  
(Metal Press Mold)



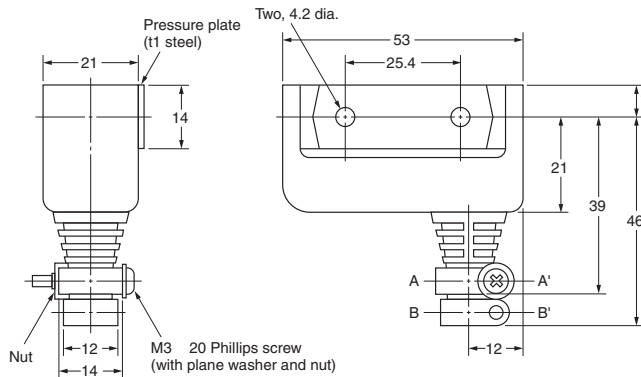
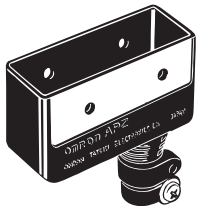
**Note:** 1. The Cover has five holes for easy lead wire connections.  
2. AP1-A should be used with the AP-A

**AP1-B**  
Screw Terminal Use  
(Metal Press Mold)

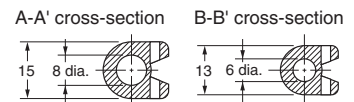


**Note:** 1. The Cover has six holes for easy lead wire connections.  
2. AP1-B should be used with the AP-B

**AP-Z**  
Soldering or Screw Terminal Use  
(Vinyl Chloride)



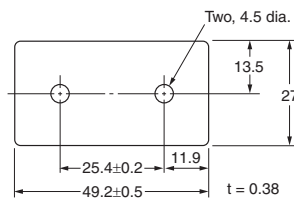
### Cable Pull-out Dimension



**Note:** A 6-dia. or 8-dia. cable can be used by cutting the cable pull-out hole to the size of the cable to be used.

## Separator

### SEPARATOR FOR Z

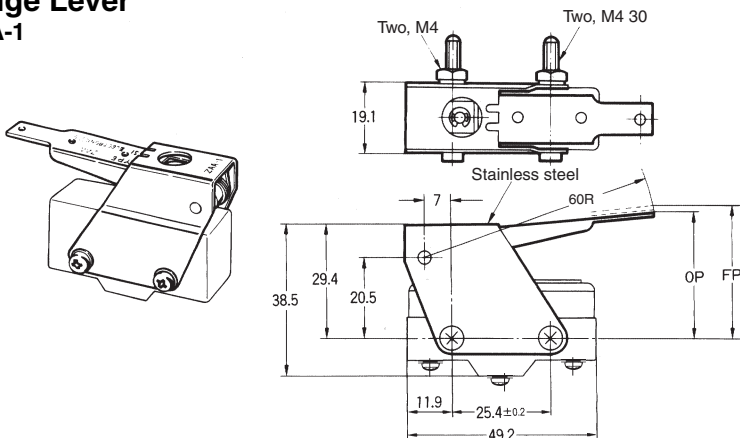


**Note:** The separator's material is EAVTC (Epoxy Alkyd Varnished Teflon Cloth) and its heat-resisting temperature is 130°C.

## Actuators

**Note:** 1. Unless otherwise specified, all units are in millimeters and a tolerance of  $\pm 0.4$  mm applies to all dimensions.  
2. These Actuators are not provided with Switches.

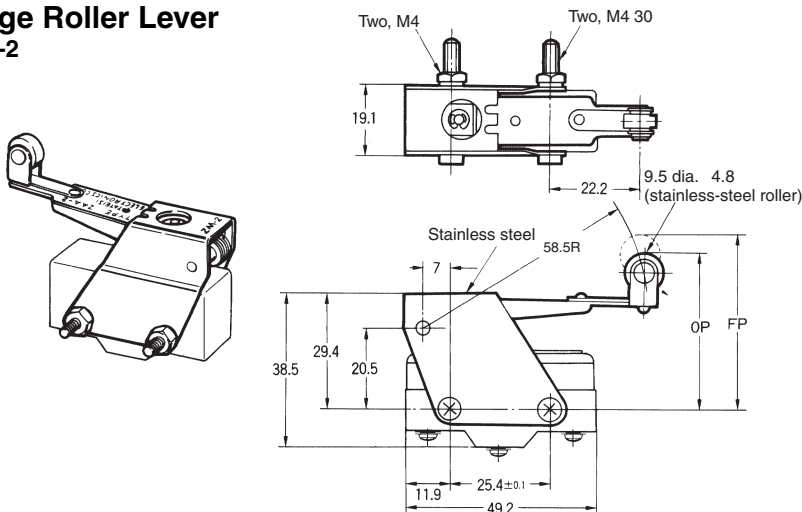
### Hinge Lever ZAA-1



Model	Z-15G-B	X-10G-B
OF max.	500 gf	500 gf
RF min.	170 gf	170 gf
PT max.	6 mm	6 mm
OT min.	12.7 mm	12.7 mm
MD max.	2.2 mm	3.3 mm
FP max.	32.9±1.6 mm	

**Note:** This Actuator can be used with the Z-15G(-B) and X-10G(-B). When mounting the Switch, set the overtravel to between 32% and 100%, taking into consideration the operating body and the distance between the Actuator and the dog.

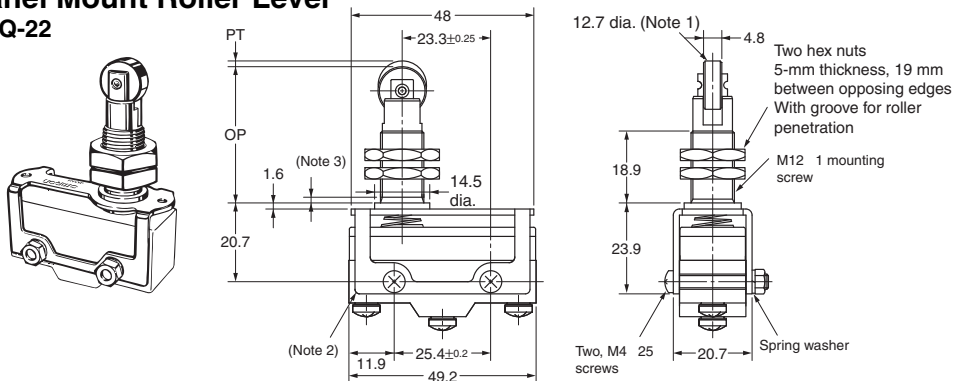
### Hinge Roller Lever ZAA-2



Model	Z-15G-B	X-10G-B
OF max.	500 gf	500 gf
RF min.	170 gf	170 gf
PT max.	6 mm	6 mm
OT min.	12.7 mm	12.7 mm
MD max.	2.2 mm	3.3 mm
FP max.	44.5±1.6 mm	

**Note:** This Actuator can be used with the Z-15G(-B) and X-10G(-B). When mounting the Switch, set the overtravel to between 32% and 100%, taking into consideration the operating body and the distance between the Actuator and the dog.

### Panel Mount Roller Lever ZAQ-22



Model	ZAQ-22	
	Z-15E-B	DZ-10G-B
OF max.	850 gf	1,131 gf
RF min.	114 gf	114 gf
PT max.	2 mm	2 mm
OT min.	3.58 mm	1 mm
MD max.	0.15 mm	0.46 mm
OP	37±0.8 mm	35.4±1.2 mm

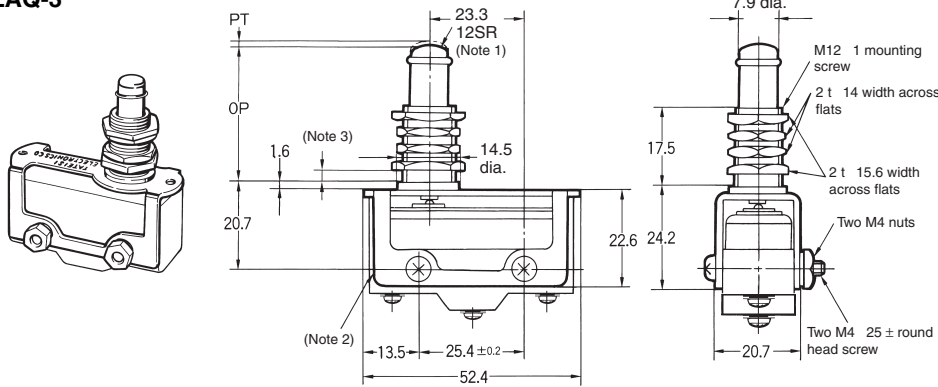
**Note:** This Actuator (panel mount roller plunger) can be used with standard pin plungers (Z-15G(-B), Z-15E(-B), and DZ-10G-1A(-1B)).

**Note:** 1. Stainless-steel pin plunger  
2. Bronze frame  
3. Incomplete screw section part with a maximum of 1.5 mm.

The ZAQ-22 is constructed of ferrous material. Therefore, it cannot be used with X switches due to the permanent magnet used within those models.

**Note:** 1. Unless otherwise specified, all units are in millimeters and a tolerance of  $\pm 0.4$  mm applies to all dimensions.  
 2. These Actuators are not provided with Switches.

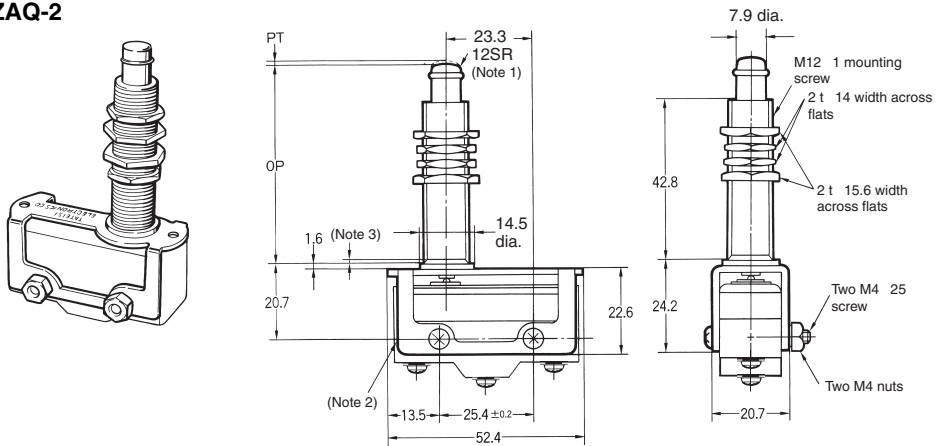
**Short Panel Mount Plunger**  
**ZAQ-3**



Model	ZAQ-3	
	Z-15E-B	X-10G-B
OF max.	850 gf	550 gf
RF min.	114 gf	114gf
PT max.	0.8 mm	1 mm
OT min.	4.8 mm	4.5 mm
MD max.	0.15 mm	0.2 mm
OP	27.8±1.5 mm	

**Note:** 1. Stainless-steel pin plunger  
 2. Bronze frame  
 3. Incomplete screw section part with a maximum of 1.5 mm

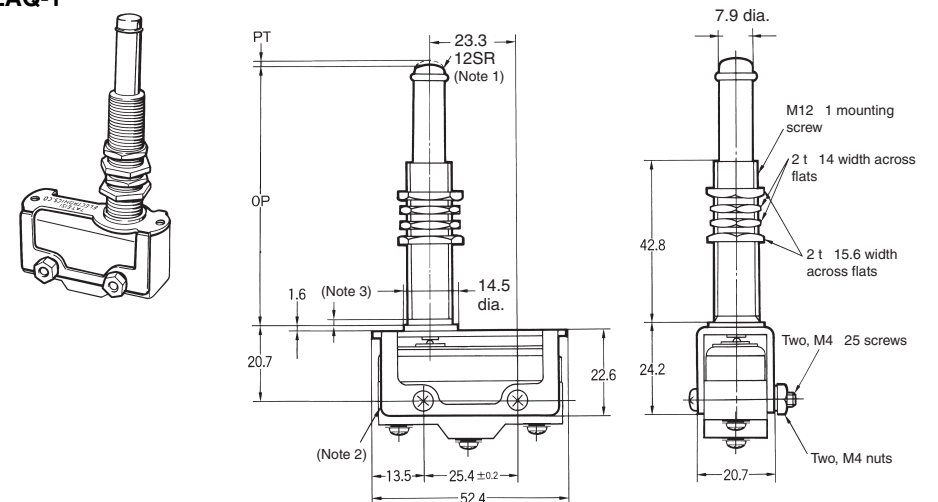
**Medium Panel Mount Plunger**  
**ZAQ-2**



Model	ZAQ-2	
	Z-15E-B	X-10G-B
OF max.	850 gf	550 gf
RF min.	114 gf	114 gf
PT max.	0.8 mm	1 mm
OT min.	4.8 mm	4.5 mm
MD max.	0.15 mm	0.2 mm
OP	53.2±1.5 mm	

**Note:** 1. Stainless-steel pin plunger  
 2. Bronze frame  
 3. Incomplete screw section part with a maximum of 1.5 mm

**Long Panel Mount Plunger**  
**ZAQ-1**



Model	ZAQ-1	
	Z-15E-B	X-10G-B
OF max.	850 gf	550 gf
RF min.	114 gf	114 gf
PT max.	0.8 mm	1 mm
OT min.	20.6 mm	20.4 mm
MD max.	0.15 mm	0.2 mm
OP	69.1±1.5 mm	

**Note:** 1. Stainless-steel pin plunger  
 2. Bronze frame  
 3. Incomplete screw section part with a maximum of 1.5 mm

**Note:** Except for the ZAQ-22, these actuators (panel mount plungers) can be used with standard pin plunger versions of the Z and X models. (Z-15G(-B), Z-15E(-B), X-10G(-B))

A large grid of graph paper for taking notes, consisting of 20 columns and 30 rows of small squares.

All sales are subject to Omron Electronic Components LLC standard terms and conditions of sale, which can be found at [http://www.components.omron.com/components/web/webfiles.nsf/sales\\_terms.html](http://www.components.omron.com/components/web/webfiles.nsf/sales_terms.html)

**ALL DIMENSIONS SHOWN ARE IN MILLIMETERS.**  
To convert millimeters into inches, multiply by 0.03937. To convert grams into ounces, multiply by 0.03527.

---

**OMRON**<sup>®</sup>

**OMRON ELECTRONIC  
COMPONENTS LLC**

55 E. Commerce Drive, Suite B  
Schaumburg, IL 60173

**847-882-2288**

**OMRON ON-LINE**

Global - <http://www.omron.com>

USA - <http://www.components.omron.com>