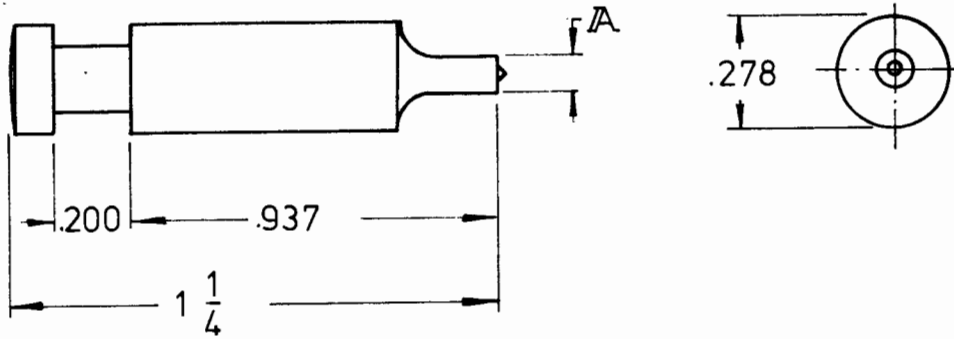
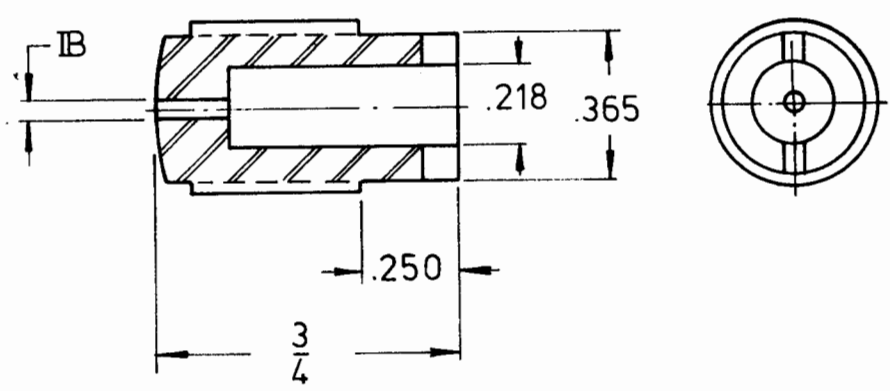


PUNCH



NO.
CODE
M

DIE



P/No.	A	IB
1331	.062	.067
1332	.072	.078
1333	.094	.099
1334	.125	.131
1335	.156	.161
1336	.187	.192

~~CONFIDENTIAL~~

KEYSTONE ELECTRONICS CORP.
ASTORIA, N.Y. 11105-2017

PART NAME DIE SET		
MATERIAL STEEL		
FINISH —	DRAWN BY L.N.	DATE 5.19.82
	APPROVED A.A.	SCALE —
TOLERANCES FRACTIONAL ± .015 DECIMAL ± .005 ANGULAR ± 1/2° UNLESS OTHERWISE NOTED		DWG. NO. 1331-1336

DATE	REVISION	ISSUE
------	----------	-------