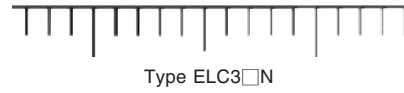


SMD Choke Coils

Singapore

Series: **N**

Type: **ELC3□N**



■ Features

- Low DC resistance and large current capability
- Available on tape and reel for automatic insertion
- Shock resistant

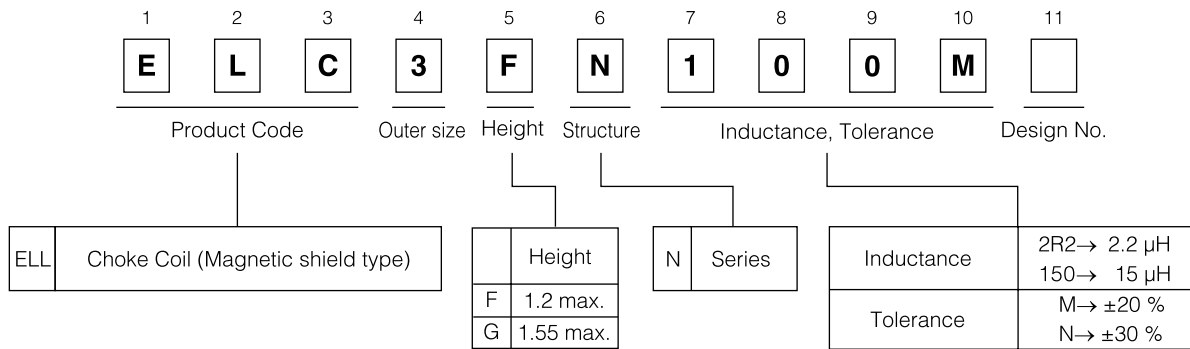
■ Recommended Applications

- DC/DC converter circuitry for computer peripherals and cellular hand sets.
- Chopper circuit decoupling chokes in DC/DC converter circuitry

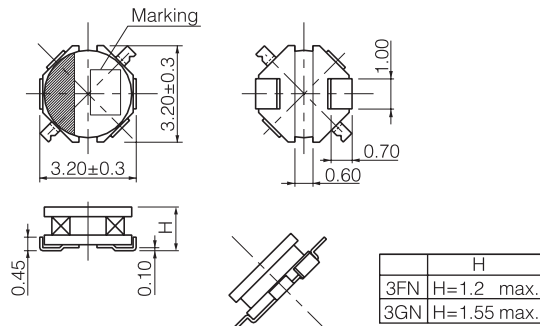
■ Standard Packing Quantity

- 2000 pcs./Reel

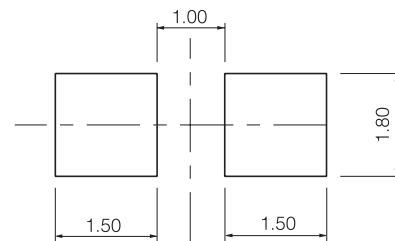
■ Explanation of Part Numbers



■ Dimensions in mm (not to scale)



■ Recommended land patterns in mm (not to scale)



NEW

■ Standard Parts

| Part Number | Inductance (100kHz) | | R _{DC} (at 20 °C) | | *Rated Current (mA max.) | Marking |
|-------------|------------------------|------|-------------------------------|------|-----------------------------|---------|
| | (μH) | Tol. | (mΩ) | Tol. | | |
| ELC3FN1R0N | 1.0 | ±30% | 80 | ±20% | 1400 | A |
| ELC3FN1R8N | 1.8 | | 110 | | 1100 | C |
| ELC3FN2R2N | 2.2 | | 120 | | 1000 | D |
| ELC3FN2R7N | 2.7 | | 150 | | 950 | E |
| ELC3FN3R9N | 3.9 | | 240 | | 770 | F |
| ELC3FN4R7N | 4.7 | | 280 | | 750 | H |
| ELC3FN5R6N | 5.6 | | 310 | | 680 | I |
| ELC3FN6R8N | 6.8 | | 360 | | 620 | K |
| ELC3FN7R5N | 7.5 | | 390 | | 600 | L |
| ELC3FN100M | 10.0 | ±20% | 430 | | 530 | M |
| ELC3FN150M | 15.0 | | 1000 | | 370 | O |
| ELC3FN220M | 22.0 | | 1180 | | 330 | R |
| ELC3FN330M | 33.0 | | 1900 | | 260 | T |
| ELC3FN470M | 47.0 | | 2450 | | 230 | V |
| ELC3FN680M | 68.0 | | 4200 | | 170 | X |
| ELC3GN1R0N | 1.0 | ±30% | 64 | | 1300 | A |
| ELC3GN1R6N | 1.6 | | 83 | | 1200 | C |
| ELC3GN2R2N | 2.2 | | 100 | | 1000 | D |
| ELC3GN3R3N | 3.3 | | 130 | 970 | M | |
| ELC3GN4R7N | 4.7 | | 200 | 760 | E | |
| ELC3GN6R8N | 6.8 | | 250 | 680 | H | |
| ELC3GN8R2N | 8.2 | | 410 | 540 | L | |
| ELC3GN100M | 10.0 | | ±20% | 430 | 530 | M |
| ELC3GN150M | 15.0 | 600 | | 430 | O | |
| ELC3GN220M | 22.0 | 950 | | 330 | R | |
| ELC3GN330M | 33.0 | 1400 | | 280 | T | |
| ELC3GN470M | 47.0 | 1950 | | 240 | V | |
| ELC3GN680M | 68.0 | 3000 | | 190 | X | |

* Current: This indicates the value of current when the inductance is 70% of nominal value and case temperature has risen 45 °C (at 20°C)

■ Embossed Carrier Tape Dimensions in mm (not to scale)

