



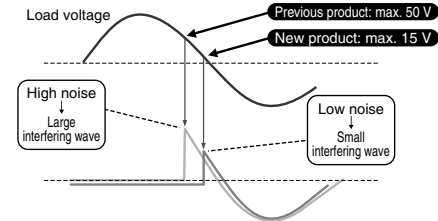
**Phototriac coupler
ideal for triac driver
with wide variation**

APT
Phototriac Coupler

FEATURES

1. Low zero-cross voltage (max. 15 V) type added to lineup. Approximately 1/3 of previous product

Helps reduce device noises even further.



2. Two types available: Random type and zero-cross type

3. Many package sizes available. (Wide terminal type with 10.16 mm pitch between I/O terminals available.)

4. High dielectric strength. (Between input and output: SOP 3, 750 V; DIP 5,000 V)

5. Handles both 100 and 200 V AC loads

This relay handles both voltages in a single product it is not necessary for users that use both types to manage separate part numbers.

6. Terminal 5 of the DIP 6-pin type is completely molded.

7. Complies with safety standards

SOP4pin:

C-UL (UL1577) Certified

VDE (EN60747-5-5) Certified

DIP4/6pin:

C-UL (UL1577) Certified

VDE (EN60747-5-5) Certified

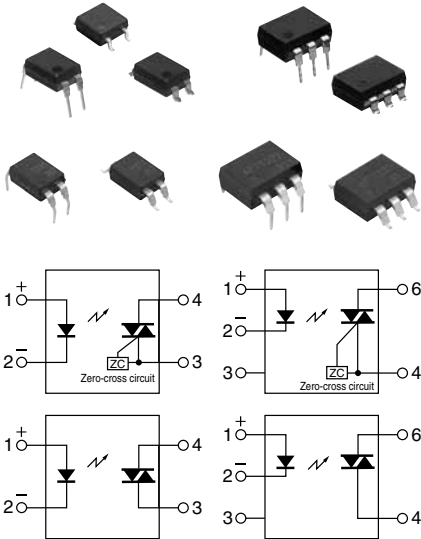
VDE (EN60950-1, EN60065)

Reinforced insulation certified

TYPICAL APPLICATIONS

1. For triac driver in heater controls of products such as office equipment, home appliances, and industrial machines. (For 100V/200V, 50/60 Hz lines)

2. Triac driver for SSRs



RoHS compliant

TYPES

1. SOP4 Type

Type	Output rating		Type	Package size	Part No.			Packing quantity	
	Repetitive peak OFF-state voltage	ON-state RMS current			Tube packing style	Tape and reel packing style		Tube	Tape and reel
AC type	600 V	50 mA	Zero-cross (max. 50 V)	SOP4pin	APT1211S	APT1211SX (Picked from the 1/2-pin side)	APT1211SZ (Picked from the 3/4-pin side)	1 tube contains: 100 pcs. 1 batch contains: 2,000 pcs.	1,000 pcs.
			Zero-cross (max. 15 V)		APT1231S	APT1231SX (Picked from the 1/2-pin side)	APT1231SZ (Picked from the 3/4-pin side)		
			Random		APT1221S	APT1221SX (Picked from the 1/2-pin side)	APT1221SZ (Picked from the 3/4-pin side)		

Note: For space reasons, the initial letters of the product number "APT" and "S" are omitted on the product seal.
The package type indicator "X" and "Z" are omitted from the seal. (Ex. the label for product number APT1221SZ is 1221).

2. DIP4/6 Type

Type	Output rating		Type	Package size	Part No.				Packing quantity	
	Repetitive peak OFF-state voltage	ON-state RMS current			Through hole terminal	Surface-mount terminal			Tube	Tape and reel
					Tube packing style	Tape and reel packing style				
AC type	600 V	100 mA	Zero-cross (max. 50 V)	DIP4pin	APT1211	APT1211A	APT1211AX (Picked from the 1/2-pin side)	APT1211AZ (Picked from the 3/4-pin side)	[DIP4pin] 1 tube contains: 100 pcs. 1 batch contains: 1,000 pcs.	[DIP4pin] [DIP6pin] 1,000 pcs.
			Zero-cross (max. 15 V)		APT1231	APT1231A	APT1231AX (Picked from the 1/2-pin side)	APT1231AZ (Picked from the 3/4-pin side)		
			Random		APT1221	APT1221A	APT1221AX (Picked from the 1/2-pin side)	APT1221AZ (Picked from the 3/4-pin side)		
			Zero-cross (max. 50 V)	DIP6pin	APT1212	APT1212A	APT1212AX (Picked from the 1/2/3-pin side)	APT1212AZ (Picked from the 4/6-pin side)		
			Zero-cross (max. 15 V)		APT1232	APT1232A	APT1232AX (Picked from the 1/2/3-pin side)	APT1232AZ (Picked from the 4/6-pin side)		
			Random		APT1222	APT1222A	APT1222AX (Picked from the 1/2/3-pin side)	APT1222AZ (Picked from the 4/6-pin side)		

Note: For space reasons the initial letters "APT" of the product number for the DIP 4-pin type, the letter "A", which indicates the SMD terminal shape for the DIP 4-pin and 6-pin types, and the package type indications "X" and "Z" have been omitted from the product label. (Example: The label for product number APT1221AZ is 1221.)

3. DIP4/6 Wide Terminal Type

Type	Output rating*		Type	Package size	Part No.				Packing quantity	
	Repetitive peak OFF-state voltage	ON-state RMS current			Through hole terminal	Surface-mount terminal			Tube	Tape and reel
					Tube packing style	Tape and reel packing style				
AC type	600 V	100 mA	Zero-cross (max. 50 V)	DIP4pin	APT1211W	APT1211WA	APT1211WAY (Picked from the 1/4-pin side)	APT1211WAW (Picked from the 2/3-pin side)	[DIP4pin] 1 tube contains: 100 pcs. 1 batch contains: 1,000 pcs.	[DIP4pin] [DIP6pin] 1,000 pcs.
			Zero-cross (max. 15 V)		APT1231W	APT1231WA	APT1231WAY (Picked from the 1/4-pin side)	APT1231WAW (Picked from the 2/3-pin side)		
			Random		APT1221W	APT1221WA	APT1221WAY (Picked from the 1/4-pin side)	APT1221WAW (Picked from the 2/3-pin side)		
			Zero-cross (max. 50 V)	DIP6pin	APT1212W	APT1212WA	APT1212WAY (Picked from the 1/6-pin side)	APT1212WAW (Picked from the 3/4-pin side)		
			Zero-cross (max. 15 V)		APT1232W	APT1232WA	APT1232WAY (Picked from the 1/6-pin side)	APT1232WAW (Picked from the 3/4-pin side)		
			Random		APT1222W	APT1222WA	APT1222WAY (Picked from the 1/6-pin side)	APT1222WAW (Picked from the 3/4-pin side)		

Note: For space reasons the initial letters "APT" of the product number for the DIP 4-pin type, the letter "WA", which indicates the SMD terminal shape for the DIP 4-pin and 6-pin types, and the package type indications "Y" and "W" have been omitted from the product label. (Example: The label for product number APT1221WAY is 1221.)

RATING

1. Absolute maximum ratings (Ambient temperature: 25°C 77°F)

1) SOP4 types

Item	Symbol	APT1211S, APT1221S, APT1231S	Remarks	
Input	LED forward current	I _F	50 mA	
	LED reverse voltage	V _R	6 V	
	Peak forward current	I _{FP}	1 A	f = 100 Hz, Duty Ratio = 0.1%
Output	Repetitive peak OFF-state voltage	V _{DRM}	600 V	
	ON-state RMS current*	I _{T(RMS)}	0.05 A	AC
	Non-repetitive surge current	I _{TSM}	0.6 A	In one cycle at 60Hz
Total power dissipation	P _T	350 mW		
I/O isolation voltage	V _{iso}	3,750 V AC		
Temperature limits	Operating	T _{opr}	-40°C to +100°C -40°F to +212°F	Non-condensing at low temperatures
	Storage	T _{stg}	-40°C to +125°C -40°F to +257°F	

Note: "X" and "Z" at the end of the part numbers have been omitted.

2) DIP4/6 type and DIP4/6 Wide terminal type

Item		Symbol	APT1211(W), APT1221(W), APT1231(W), APT1212(W), APT1222(W), APT1232(W)	Remarks
Input	LED forward current	I_F	50 mA	
	LED reverse voltage	V_R	6 V	
	Peak forward current	I_{FP}	1 A	f = 100 Hz, Duty Ratio = 0.1%
Output	Repetitive peak OFF-state voltage	V_{DRM}	600 V	
	ON-state RMS current*	$I_{T(RMS)}$	0.1 A	AC
	Non-repetitive surge current	I_{TSM}	1.2 A	In one cycle at 60Hz
Total power dissipation		P_T	500 mW	
I/O isolation voltage		V_{iso}	5,000 V AC	
Temperature limits	Operating	T_{opr}	-40°C to +100°C -40°F to +212°F	Non-condensing at low temperatures
	Storage	T_{stg}	-40°C to +125°C -40°F to +257°F	

Note: "A", "AX", "AZ" "AY" and "AW" at the end of the part numbers have been omitted.

* Do not exceed 0.05 A of ON state RMS current in case of following load voltage condition.

DIP4pin (APT1211, APT1221, APT1231) and DIP4pin wide terminal type (APT1211W, APT1221W, APT1231W): more than 100 V AC;
 DIP6pin (APT1212, APT1222, APT1232) and DIP6pin wide terminal type (APT1212W, APT1222W, APT1232W): more than 120 V AC.

2. Characteristics (Ambient temperature: 25°C 77°F)

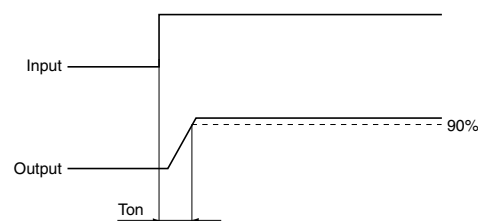
1) Zero-cross type (max. 50V) and random type

Item			Symbol	APT1211S, APT1211(W), APT1212(W)	APT1221S, APT1221(W), APT1222(W)	Condition
Input	LED dropout voltage	Typical	V_F	1.21 V		$I_F = 20 \text{ mA}$
		Maximum		1.3 V		
	LED reverse current	Typical	I_R	—		$V_R = 6 \text{ V}$
		Maximum		10 μA		
Output	Repetitive peak OFF-state current	Typical	I_{DRM}	—		$I_F = 0 \text{ mA}$ $V_{DRM} = 600 \text{ V}$
		Maximum		1 μA		
	Repetitive peak On-state voltage	Typical	V_{TM}	1.3 V		$I_F = 10 \text{ mA}$ $I_{TM} = 0.05 \text{ A}$
		Maximum		2.5 V		
	Holding current	Typical	I_H	0.3 mA		
		Maximum		3.5 mA		
Critical rate of rise of OFF-state voltage	Minimum	dv/dt	500 V/ μs		$V_{DRM} = 600 \text{ V} \times 1/\sqrt{2}$	
Transfer characteristics	Trigger LED current	Maximum	I_{FT}	10 mA		$V_D = 6 \text{ V}$ $R_L = 100 \Omega$
	Zero-cross voltage	Maximum	V_{ZC}	50 V	—	$I_F = 10 \text{ mA}$
	Turn on time*	Maximum	T_{on}	100 μs		$I_F = 20 \text{ mA}$ $V_D = 6 \text{ V}$ $R_L = 100 \Omega$
	I/O capacitance	Maximum	C_{iso}	1.5 pF		f = 1 MHz $V_B = 0 \text{ V}$
	I/O isolation resistance	Minimum	R_{iso}	50 G Ω		500 V DC

Notes: 1. For type of connection, see page 9.

2. Terminals are either solder plated or solder dipped.

*Turn on time

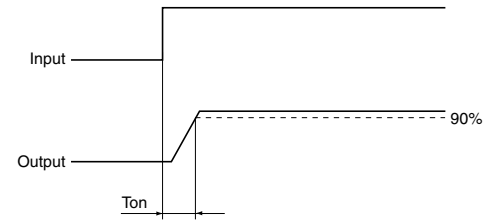


2) Zero-cross type (max. 15V)

Item		Symbol	APT1231S, APT1231(W), APT1232(W)		Condition
Input	LED dropout voltage	Typical	V _F	1.21 V	I _F = 20 mA
		Maximum		1.3 V	
	LED reverse current	Typical	I _R	—	V _R = 6 V
		Maximum		10 μA	
Output	Repetitive peak OFF-state current	Typical	I _{DRM}	—	I _F = 0 mA V _{DRM} = 600 V
		Maximum		1 μA	
	Repetitive peak On-state voltage	Typical	V _{TM}	1.2 V	I _F = 10 mA I _{TM} = 0.03 A
		Maximum		2 V	
	Holding current	Typical	I _H	0.3 mA	
Maximum		3.5 mA			
Critical rate of rise of OFF-state voltage	Minimum	dv/dt	500 V/μs	V _{DRM} = 600 V × 1/√2	
Transfer characteristics	Trigger LED current	Maximum	I _{FT}	10 mA	I _{TM} = 0.03 A
	Zero-cross voltage	Maximum	V _{ZC}	15 V	I _F = 10 mA
	Turn on time*	Maximum	T _{on}	100 μs	I _F = 20 mA I _{TM} = 0.03 A
	I/O capacitance	Maximum	C _{iso}	1.5 pF	f = 1 MHz V _B = 0 V
	I/O isolation resistance	Minimum	R _{iso}	50 GΩ	500 V DC

Notes: 1. For type of connection, see page 9.
2. Terminals are either solder plated or solder dipped.

*Turn on time



RECOMMENDED OPERATING CONDITIONS

Please follow the conditions below in order to ensure accurate operation and release of the phototriac coupler.

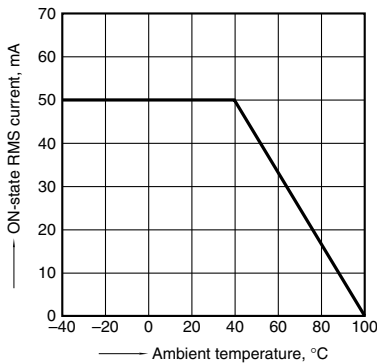
Item	Symbol	Value	Unit
Input LED current	I _F	20	mA

REFERENCE DATA

1-(1). ON-state RMS current vs. ambient temperature characteristics

Allowable ambient temperature: -40°C to +100°C
-40°F to +212°F

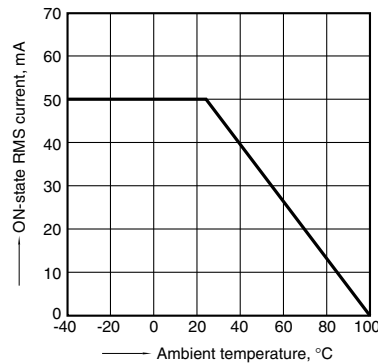
Tested sample: APT1211S, APT1221S



1-(2). ON-state RMS current vs. ambient temperature characteristics

Allowable ambient temperature: -40°C to +100°C
-40°F to +212°F

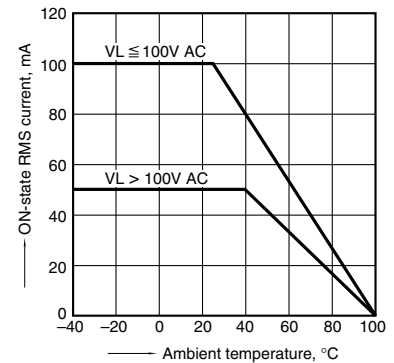
Tested sample: APT1231S



1-(3). ON-state RMS current vs. ambient temperature characteristics

Allowable ambient temperature: -40°C to +100°C
-40°F to +212°F

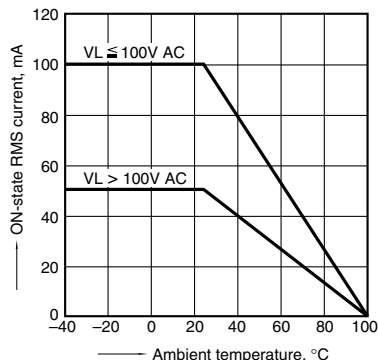
Tested sample: APT1211(A), APT1221(A),
APT1211W(A), APT1221W(A)



1-(4). ON-state RMS current vs. ambient temperature characteristics

Allowable ambient temperature: -40°C to +100°C
 -40°F to +212°F

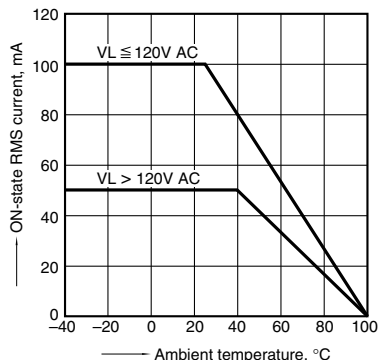
Tested sample: APT1231(A), APT1231W(A)



1-(5). ON-state RMS current vs. ambient temperature characteristics

Allowable ambient temperature: -40°C to +100°C
 -40°F to +212°F

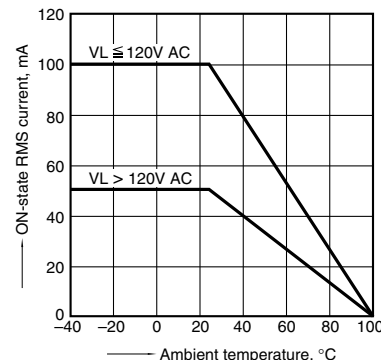
Tested sample: APT1212(A), APT1222(A),
 APT1212W(A), APT1222W(A)



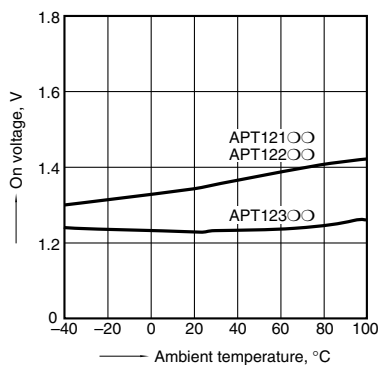
1-(6). ON-state RMS current vs. ambient temperature characteristics

Allowable ambient temperature: -40°C to +100°C
 -40°F to +212°F

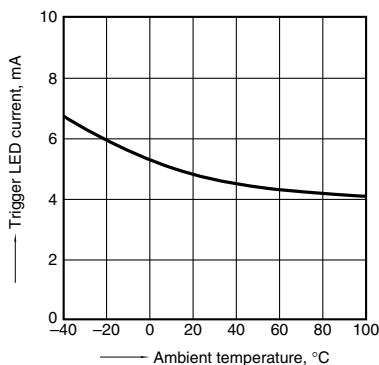
Tested sample: APT1232(A), APT1232W(A)



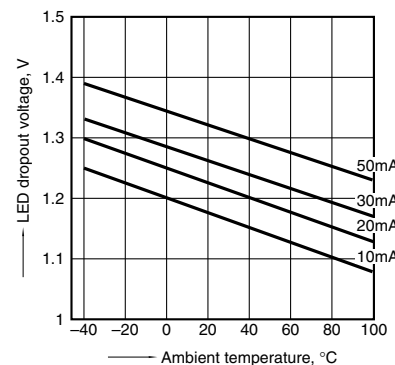
2. On voltage vs. ambient temperature characteristics



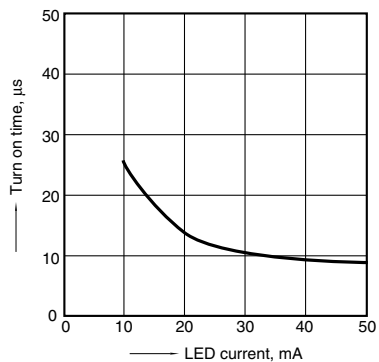
3. Trigger LED current vs. ambient temperature characteristics



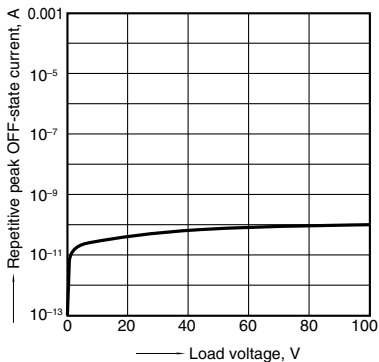
4. LED dropout voltage vs. ambient temperature characteristics



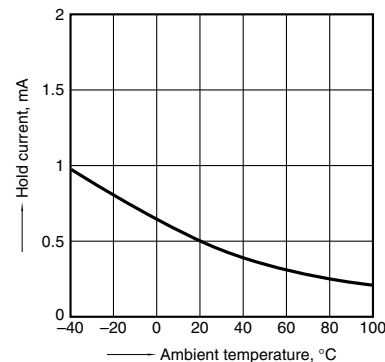
5. Turn on time vs. LED current characteristics



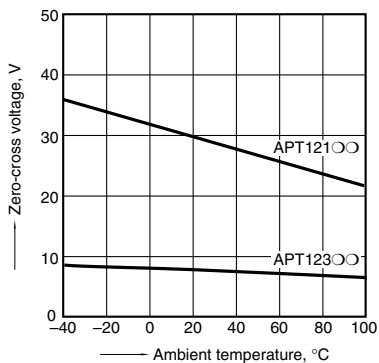
6. Repetitive peak OFF-state current vs. Load voltage characteristics



7. Hold current vs. ambient temperature characteristics



8. Zero-cross voltage vs. ambient temperature characteristics



DIMENSIONS (mm inch)

The CAD data of the products with a **CAD Data** mark can be downloaded from: <http://industrial.panasonic.com/ac/e/>

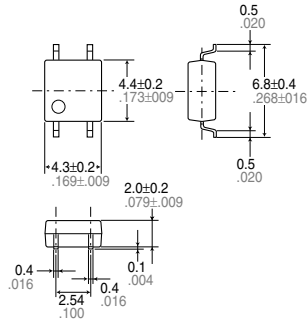
1. SOP Type

APT1211S, APT1221S, APT1231S

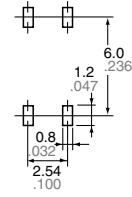
CAD Data



External dimensions



Recommended mounting pad (TOP VIEW)



Tolerance: ±0.1 ±.004

Terminal thickness = 0.15 .006

General tolerance: ±0.1 ±.004

2. DIP4 Type

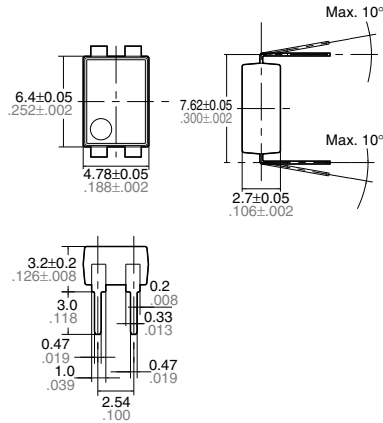
APT1211(A), APT1221(A), APT1231(A)

CAD Data

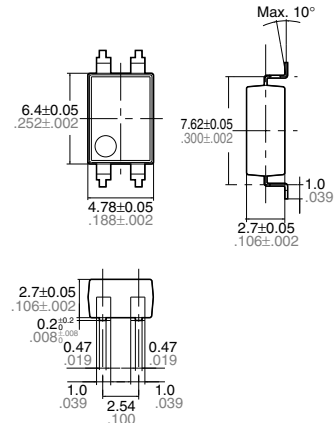


External dimensions

Through hole terminal type



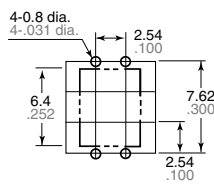
Surface mount terminal type



Terminal thickness = 0.20 .008

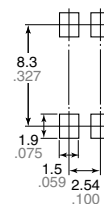
General tolerance: ±0.1 ±.004

PC board pattern (BOTTOM VIEW)



Tolerance: ±0.1 ±.004

Recommended mounting pad (TOP VIEW)



Tolerance: ±0.1 ±.004

3. DIP4 Wide Terminal Type

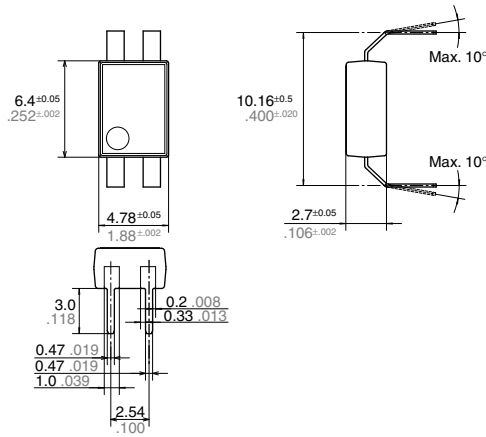
APT1211W(A), APT1221W(A), APT1231W(A)

CAD Data

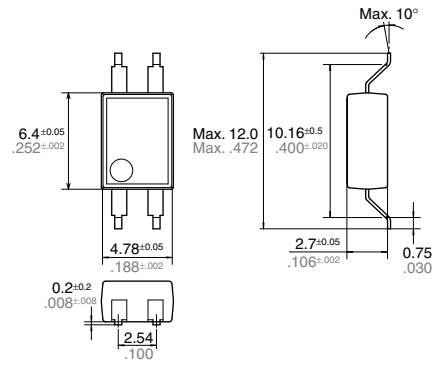


External dimensions

Through hole terminal type

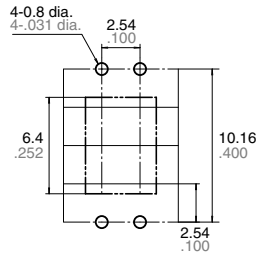


Surface mount terminal type



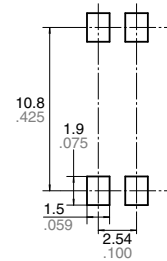
Terminal thickness = 0.20 .008
General tolerance: ±0.1 ±.004

PC board pattern (BOTTOM VIEW)



Tolerance: ±0.1 ±.004

Recommended mounting pad (TOP VIEW)



Tolerance: ±0.1 ±.004

4. DIP6 Type

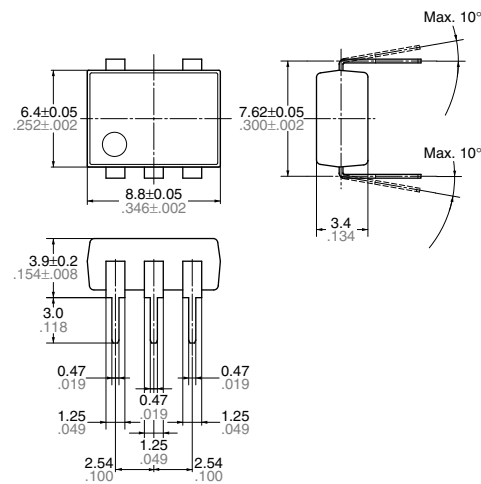
APT1212(A), APT1222(A), APT1232(A)

CAD Data

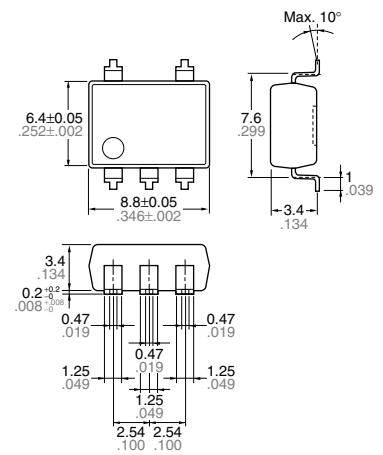


External dimensions

Through hole terminal type

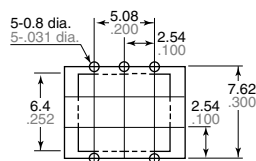


Surface mount terminal type



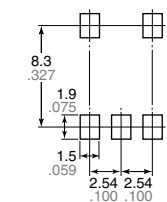
Terminal thickness = 0.25 .010
General tolerance: ±0.1 ±.004

PC board pattern (BOTTOM VIEW)



Tolerance: ±0.1 ±.004

Recommended mounting pad (TOP VIEW)



Tolerance: ±0.1 ±.004

5. DIP6 Wide Terminal Type

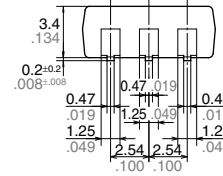
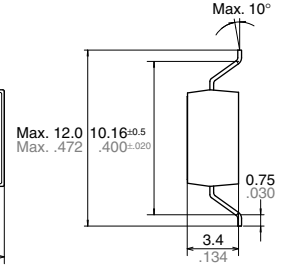
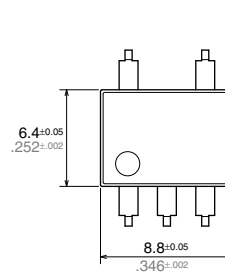
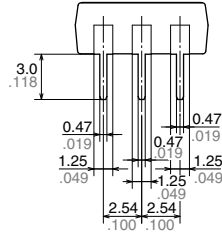
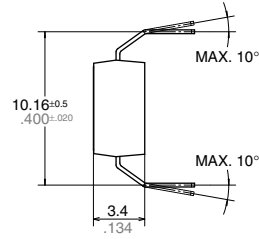
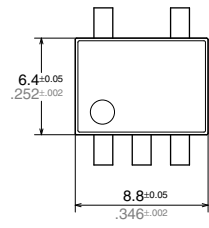
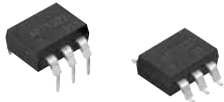
APT1212W(A), APT1222W(A), APT1232W(A)

CAD Data

External dimensions

Through hole terminal type

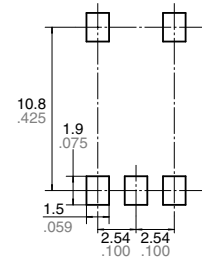
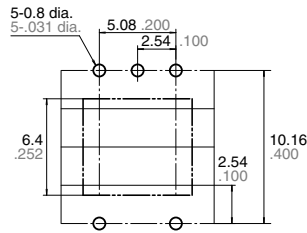
Surface mount terminal type



Terminal thickness = 0.25 ±.010
General tolerance: ±0.1 ±.004

PC board pattern (BOTTOM VIEW)

Recommended mounting pad (TOP VIEW)



Tolerance: ±0.1 ±.004

Tolerance: ±0.1 ±.004

SCHEMATIC AND WIRING DIAGRAMS

Notes: E₁: Power source at input side; I_F: LED forward current; V_L: Load voltage; I_L: Load current

Schematic	Output configuration	Load	Wiring diagram
	1 Form A	AC	