

## Chip Inductors

Japan

Series: **Chip**  
Type: **F, E,  
D, C, A, B**



Non wound and wire wound type chip inductors for automatic and high-density mounting

Industrial Property : Patents 6 (pending)

### ■ Features

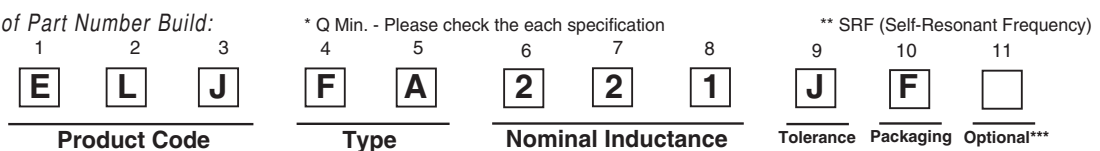
- High Q
- Good for mounting
- Wide availability range (1.0 nH to 1000 μH)
- Stable L -value in any mounting direction(Non winding type)

### ■ Recommended Applications

- Portable telephones, Wireless Communication equipment (W-LAN, BT), PDA, Camcorder, DSC, Various module, HIC, TV, VTR, PC peripherals.

### ■ Explanation of Part Numbers

Example of Part Number Build:



| Item                       | Laser-Cut           |                     | Wire Wound Types    |                     |                     |                     |
|----------------------------|---------------------|---------------------|---------------------|---------------------|---------------------|---------------------|
|                            | F<br>1005<br>(0402) | E<br>1608<br>(0603) | D<br>2012<br>(0805) | C<br>2520<br>(1008) | A<br>3225<br>(1210) | B<br>4532<br>(1812) |
| Types                      |                     |                     |                     |                     |                     |                     |
| Non Magnetic Core          | RF                  | RE                  | ND                  | NC                  | NA                  | -                   |
| NonMagneticCore(HighQ)     | QF                  | -                   | -                   | -                   | -                   | -                   |
| General Use                | -                   | -                   | -                   | FC                  | FA                  | FB                  |
| Magnetic Shield            | -                   | -                   | -                   | -                   | SA                  | -                   |
| High Current               | PF                  | PE                  | -                   | PC                  | PA                  | PB                  |
| High Current, very low DCR | -                   | -                   | -                   | -                   | EA                  | -                   |

| Code | Value       |
|------|-------------|
| 2N2  | --> 2.2 nH  |
| 22N  | --> 22 nH   |
| R22  | --> 0.22 μH |
| 2R2  | --> 2.2 μH  |
| 220  | --> 22 μH   |
| 221  | --> 220 μH  |
| 102  | --> 1000 μH |

| Code | Value    |
|------|----------|
| Z:   | ± 0.2 nH |
| D:   | ± 0.3 nH |
| E:   | ± 0.5 nH |
| G:   | ± 2 %    |
| A:   | ± 3 %    |
| J:   | ± 5 %    |
| K:   | ± 10 %   |
| M:   | ± 20 %   |

**F** Tape & Reel

\*\*\*Note: Part Number position #11 is an optional factory designation.

Size unit: mm (inch)

- Inductance, Size Guide
- High Frequency Equipment

| Item         | Size              | Type                        | L VALUE     |      |     |     |    |     |                    |  |
|--------------|-------------------|-----------------------------|-------------|------|-----|-----|----|-----|--------------------|--|
|              |                   |                             | 0.001       | 0.01 | 0.1 | 1.0 | 10 | 100 | ( $\mu$ H)<br>1000 |  |
| Laser<br>Cut | 1005 (0402)<br>RF | Non Magnetic Core           | D,Z J,Z J,G |      |     |     |    |     |                    | <b>Tolerance</b><br>Z : $\pm$ 0.2 nH<br>D : $\pm$ 0.3 nH<br>E : $\pm$ 0.5 nH<br>G : $\pm$ 2 %<br>J : $\pm$ 5 %<br>K : $\pm$ 10 %<br>M : $\pm$ 20 % |
|              | 1005 (0402)<br>QF | Non Magnetic Core<br>High-Q | D,Z J,Z J,G |      |     |     |    |     |                    |  |
|              | 1005 (0402)<br>PF | High power                  | D,J         |      |     |     |    |     |                    |  |
|              | 1608 (0603)<br>RE | Non Magnetic Core           | D,Z J,Z J,G |      |     |     |    |     |                    |  |
|              | 1608 (0603)<br>PE | High power                  | K           |      |     |     |    |     |                    |  |

### ● General Equipment

| Item                  | Size              | Type              | L VALUE   |       |           |     |    |     |                    |
|-----------------------|-------------------|-------------------|---|-------|-----------|-----|----|-----|--------------------|
|                       |                   |                   | 0.001   | 0.01  | 0.1       | 1.0 | 10 | 100 | ( $\mu$ H)<br>1000 |
| Wire<br>wound<br>type | 2012 (0805)<br>ND | Non Magnetic Core |   | K J,K |           |     |    |     |                    |
|                       | 2520 (1008)<br>NC | Non Magnetic Core |   | K J,K |           |     |    |     |                    |
|                       | 2520 (1008)<br>FC | General Use       |   |       | K,M J,K   |     |    |     |                    |
|                       | 2520 (1008)<br>PC | High power        |   |       | M K       |     |    |     |                    |
|                       | 3225 (1210)<br>NA | Non Magnetic Core |   |       | M K J     |     |    |     |                    |
|                       | 3225 (1210)<br>FA | General Use       |   |       | K,M J,K   |     |    |     |                    |
|                       | 3225 (1210)<br>SA | Shield            | <b>Tolerance</b><br>D : $\pm$ 0.3 nH<br>E : $\pm$ 0.5 nH<br>G : $\pm$ 2 %<br>A : $\pm$ 3 %<br>J : $\pm$ 5 %<br>K : $\pm$ 10 %<br>M : $\pm$ 20 % |       | K         |     |    |     |                    |
|                       | 3225 (1210)<br>PA | High power        |   |       | M K       |     |    |     |                    |
|                       | 3225 (1210)<br>EA | Low DC resistance |   |       | M K       |     |    |     |                    |
|                       | 4532 (1812)<br>FB | General Use       |   |       | M K,M J,K |     |    |     |                    |
|                       | 4532 (1812)<br>PB | High power        |   |       | K         |     |    |     |                    |

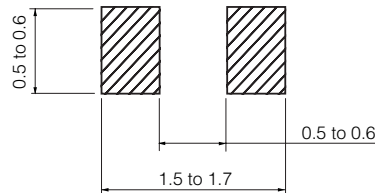
Size : mm (inch)

## 1. Non Magnetic Core Types RF, RE, ND, NC, NA

### ■ Type 1005(0402)RF

● Dimensions in mm (not to scale)

● Recommended Land Pattern in mm (not to scale)



### ■ Standard Packing Quantity

● 10000 pcs./Reel

### ■ Examples

| Part No.*3    | Inductance |           | Q min. | L,Q Test Freq. (MHz) | SRF*1 (MHz)min. | DCR*2 (Ω)max. | DC Current (mA)max. |
|---------------|------------|-----------|--------|----------------------|-----------------|---------------|---------------------|
|               | (nH)       | Tolerance |        |                      |                 |               |                     |
| ELJRF1N0D/ZF2 | 1.0        | ±0.3 nH   | 8      | 100                  | 6000            | 0.05          | 400                 |
| ELJRF1N2D/ZF2 | 1.2        |           |        |                      | 6000            | 0.06          | 400                 |
| ELJRF1N5D/ZF2 | 1.5        |           |        |                      | 6000            | 0.07          | 400                 |
| ELJRF1N8D/ZF2 | 1.8        |           |        |                      | 6000            | 0.08          | 400                 |
| ELJRF2N2D/ZF2 | 2.2        |           |        |                      | 6000            | 0.09          | 400                 |
| ELJRF2N7D/ZF2 | 2.7        |           |        |                      | 5500            | 0.10          | 400                 |
| ELJRF3N3D/ZF2 | 3.3        |           |        |                      | 5500            | 0.12          | 400                 |
| ELJRF3N9D/ZF2 | 3.9        |           |        |                      | 5200            | 0.15          | 360                 |
| ELJRF4N7D/ZF2 | 4.7        |           |        |                      | 4800            | 0.17          | 360                 |
| ELJRF5N6D/ZF2 | 5.6        |           |        |                      | 4600            | 0.19          | 340                 |
| ELJRF6N8J/ZF2 | 6.8        | ± 5 %     | 8      | 100                  | 4000            | 0.30          | 320                 |
| ELJRF8N2J/ZF2 | 8.2        |           |        |                      | 3500            | 0.35          | 320                 |
| ELJRF10NJ/GF2 | 10.0       |           |        |                      | 2800            | 0.41          | 320                 |
| ELJRF12NJ/GF2 | 12.0       |           |        |                      | 2800            | 0.45          | 320                 |
| ELJRF15NJ/GF2 | 15.0       |           |        |                      | 2500            | 0.60          | 240                 |
| ELJRF18NJ/GF2 | 18.0       |           |        |                      | 2200            | 0.70          | 240                 |
| ELJRF22NJ/GF2 | 22.0       |           |        |                      | 2000            | 0.80          | 200                 |
| ELJRF27NJ/GF2 | 27.0       |           |        |                      | 1800            | 1.20          | 200                 |
| ELJRF33NJ/GF2 | 33.0       |           |        |                      | 1800            | 1.40          | 170                 |
| ELJRF39NJ/GF2 | 39.0       |           |        |                      | 1800            | 1.70          | 150                 |
| ELJRF47NJ/GF2 | 47.0       | 1800      | 2.10   | 140                  |                 |               |                     |
| ELJRF56NJ/GF2 | 56.0       | 1500      | 2.50   | 130                  |                 |               |                     |
| ELJRF68NJ/GF2 | 68.0       | 1500      | 4.00   | 120                  |                 |               |                     |
| ELJRF82NJ/GF2 | 82.0       | 1400      | 4.50   | 110                  |                 |               |                     |
| ELJRF10J/GF2  | 100.0      | 1200      | 5.50   | 90                   |                 |               |                     |
| ELJRF3N6D/ZF2 | 3.6        | ±0.3 nH   | 8      | 100                  | 5300            | 0.14          | 380                 |
| ELJRF4N3D/ZF2 | 4.3        |           |        |                      | 5000            | 0.16          | 360                 |
| ELJRF5N1D/ZF2 | 5.1        |           |        |                      | 4700            | 0.18          | 350                 |
| ELJRF6N2D/ZF2 | 6.2        |           |        |                      | 4300            | 0.25          | 330                 |
| ELJRF7N5J/ZF2 | 7.5        |           |        |                      | 3700            | 0.33          | 320                 |
| ELJRF9N1J/ZF2 | 9.1        |           |        |                      | 3100            | 0.38          | 320                 |
| ELJRF11NJ/GF2 | 11.0       |           |        |                      | 2800            | 0.43          | 320                 |
| ELJRF13NJ/GF2 | 13.0       |           |        |                      | 2600            | 0.53          | 280                 |
| ELJRF16NJ/GF2 | 16.0       |           |        |                      | 2300            | 0.65          | 240                 |
| ELJRF20NJ/GF2 | 20.0       |           |        |                      | 2100            | 0.75          | 220                 |
| ELJRF24NJ/GF2 | 24.0       | 1900      | 1.00   | 200                  |                 |               |                     |
| ELJRF30NJ/GF2 | 30.0       | 1800      | 1.30   | 190                  |                 |               |                     |
| ELJRF36NJ/GF2 | 36.0       | 1800      | 1.60   | 160                  |                 |               |                     |
| ELJRF43NJ/GF2 | 43.0       | 1800      | 1.90   | 150                  |                 |               |                     |

\*1 : Self Resonant Frequency \*2 : DC Resistance \*3 Lead-Free P/Ns have an "FB" suffix, rather than 'F2'

Design and specifications are subject to change without notice. Ask factory for technical specifications before purchase and/or use. Whenever a doubt about safety arises from this product, please contact us immediately for technical consultation.

## ■ Type 1608(0603)RE

● Dimensions in mm (not to scale)



● Recommended Land Pattern in mm (not to scale)



## ■ Standard Packing Quantity

● 3000 pcs./Reel

## ■ Examples

| Part No. *3   | Inductance |           | Q min.  | L, Q Test Freq. (MHz) | SRF *1 (MHz)min. | DCR *2 (Ω)max. | DC Current (mA)max. |      |
|---------------|------------|-----------|---------|-----------------------|------------------|----------------|---------------------|------|
|               | (nH)       | Tolerance |         |                       |                  |                |                     |      |
| ELJRE1N0D/ZF2 | 1.0        | ±0.3 nH   | 7       | 100                   | 6000             | 0.05           | 500                 |      |
| ELJRE1N2D/ZF2 | 1.2        |           |         |                       | 6000             | 0.06           | 500                 |      |
| ELJRE1N5D/ZF2 | 1.5        |           | ±0.2 nH |                       | 8                | 6000           | 0.07                | 500  |
| ELJRE1N8D/ZF2 | 1.8        |           |         |                       |                  | 6000           | 0.08                | 500  |
| ELJRE2N2D/ZF2 | 2.2        |           |         |                       | 6000             | 0.09           | 500                 |      |
| ELJRE2N7D/ZF2 | 2.7        |           |         |                       | 6000             | 0.10           | 500                 |      |
| ELJRE3N3D/ZF2 | 3.3        | ±5 %      | 9       |                       | 5500             | 0.12           | 500                 |      |
| ELJRE3N9J/ZF2 | 3.9        |           |         |                       | 5500             | 0.15           | 450                 |      |
| ELJRE4N7J/ZF2 | 4.7        |           | ±2 %    |                       | 10               | 4800           | 0.17                | 450  |
| ELJRE5N6J/ZF2 | 5.6        |           |         |                       |                  | 4600           | 0.18                | 430  |
| ELJRE6N8J/ZF2 | 6.8        |           |         |                       | 3550             | 0.20           | 430                 |      |
| ELJRE8N2J/ZF2 | 8.2        |           |         |                       | 3500             | 0.28           | 400                 |      |
| ELJRE10NJ/GF2 | 10.0       | ±5 %      | 11      | 2800                  | 0.32             | 400            |                     |      |
| ELJRE12NJ/GF2 | 12.0       |           |         | 2800                  | 0.35             | 400            |                     |      |
| ELJRE15NJ/GF2 | 15.0       |           | ±2 %    | 12                    | 2500             | 0.41           | 350                 |      |
| ELJRE18NJ/GF2 | 18.0       |           |         |                       | 2300             | 0.45           | 350                 |      |
| ELJRE22NJ/GF2 | 22.0       |           |         | 2000                  | 0.50             | 300            |                     |      |
| ELJRE27NJ/GF2 | 27.0       |           |         | 2000                  | 0.55             | 300            |                     |      |
| ELJRE33NJ/GF2 | 33.0       | ±5 %      | 5       | 1800                  | 0.60             | 300            |                     |      |
| ELJRE39NJ/GF2 | 39.0       |           |         | 1800                  | 0.80             | 300            |                     |      |
| ELJRE47NJ/GF2 | 47.0       |           | ±2 %    | 10                    | 1800             | 0.95           | 250                 |      |
| ELJRE56NJ/GF3 | 56.0       |           |         |                       | 1800             | 1.20           | 250                 |      |
| ELJRE68NJ/GF3 | 68.0       |           |         | 1500                  | 1.30             | 250            |                     |      |
| ELJRE82NJ/GF3 | 82.0       |           |         | 1500                  | 1.50             | 250            |                     |      |
| ELJRER10J/GF3 | 100.0      | ±5 %      | 4       | 1300                  | 1.80             | 200            |                     |      |
| ELJRER12J/GF3 | 120.0      |           |         | 1200                  | 3.00             | 130            |                     |      |
| ELJRER15J/GF3 | 150.0      |           | ±2 %    | 25.2                  | 1100             | 4.50           | 100                 |      |
| ELJRER18J/GF3 | 180.0      |           |         |                       | 1000             | 6.50           | 80                  |      |
| ELJRER22J/GF3 | 220.0      |           |         | 900                   | 7.50             | 70             |                     |      |
| ELJRE3N6D/ZF2 | 3.6        |           |         | ±0.3 nH               | 9                | 100            | 5500                | 0.14 |
| ELJRE4N3J/ZF2 | 4.3        | ±0.2 nH   | 5100    |                       |                  |                | 0.16                | 450  |
| ELJRE5N1J/ZF2 | 5.1        |           | 4700    |                       | 0.18             |                | 450                 |      |
| ELJRE6N2J/ZF2 | 6.2        |           | 4000    |                       | 0.19             |                | 450                 |      |
| ELJRE7N5J/ZF2 | 7.5        |           | 3500    |                       | 0.24             |                | 430                 |      |
| ELJRE9N1J/ZF2 | 9.1        | 3100      | 0.30    |                       | 430              |                |                     |      |
| ELJRE11NJ/GF2 | 11.0       | ±5 %      | 10      | 2800                  | 0.33             |                | 400                 |      |
| ELJRE13NJ/GF2 | 13.0       |           |         | 2600                  | 0.38             |                | 400                 |      |
| ELJRE16NJ/GF2 | 16.0       |           | ±2 %    | 2400                  | 0.43             |                | 400                 |      |
| ELJRE20NJ/GF2 | 20.0       |           |         | 2100                  | 0.48             |                | 350                 |      |
| ELJRE24NJ/GF2 | 24.0       |           |         | 2000                  | 0.53             |                | 300                 |      |
| ELJRE30NJ/GF2 | 30.0       |           |         | 1900                  | 0.58             |                | 300                 |      |
| ELJRE36NJ/GF2 | 36.0       | ±5 %      | 10      | 1800                  | 0.70             | 300            |                     |      |
| ELJRE43NJ/GF2 | 43.0       |           |         | 1800                  | 0.87             | 300            |                     |      |

\*1 : Self Resonant Frequency \*2 : DC Resistance \*3 Lead-Free P/Ns have an "FA" suffix rather than 'F2' or 'F3'

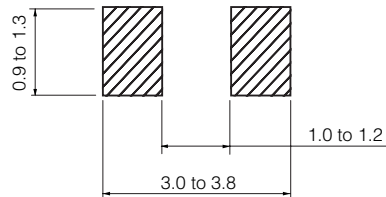
Design and specifications are subject to change without notice. Ask factory for technical specifications before purchase and/or use. Whenever a doubt about safety arises from this product, please contact us immediately for technical consultation.

## ■ Type 2012(0805)ND

### ● Dimensions in mm (not to scale)



### ● Recommended Land Pattern in mm (not to scale)



### ■ Standard Packing Quantity

- 3000 pcs./Reel

### ■ Examples

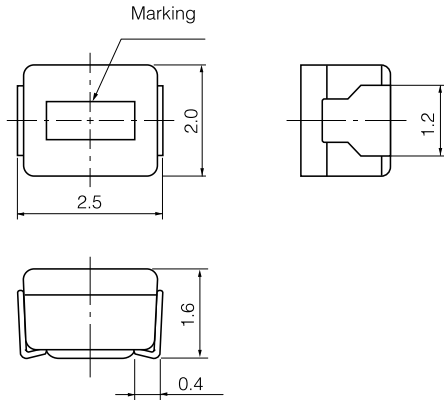
| Part No.     | Inductance |                 | Q min. | L, Q Test Freq. (MHz) | Q Typical (800 MHz) | SRF *1 (MHz)min. | DCR *2 (Ω)max. | DC Current (mA)max. |      |      |
|--------------|------------|-----------------|--------|-----------------------|---------------------|------------------|----------------|---------------------|------|------|
|              | (nH)       | Tolerance       |        |                       |                     |                  |                |                     |      |      |
| ELJND10NKF   | 10         | ± 10 %          | 10     | 100                   | 72                  | 3300             | 0.18           | 540                 |      |      |
| ELJND12NKF   | 12         |                 |        |                       | 12                  | 67               | 3300           | 0.24                | 535  |      |
| ELJND15NKF   | 15         |                 |        |                       |                     | 73               | 3000           | 0.24                | 520  |      |
| ELJND18NKF   | 18         |                 | 15     |                       | 74                  | 3000             | 0.29           | 480                 |      |      |
| ELJND22NKF   | 22         |                 |        |                       | 75                  | 2600             | 0.29           | 465                 |      |      |
| ELJND27NKF   | 27         |                 |        |                       | 73                  | 2500             | 0.34           | 455                 |      |      |
| ELJND33NJ/KF | 33         | ± 5 %<br>± 10 % |        |                       | 8                   | 80               | 2050           | 0.39                | 395  |      |
| ELJND39NJ/KF | 39         |                 |        |                       |                     | 10               | 72             | 2000                | 0.41 | 390  |
| ELJND47NJ/KF | 47         |                 |        |                       |                     |                  | 71             | 1650                | 0.46 | 385  |
| ELJND56NJ/KF | 56         |                 | 10     |                       | 25.2                | 63               | 1550           | 0.51                | 360  |      |
| ELJND68NJ/KF | 68         |                 |        |                       |                     | 8                | 57             | 1450                | 0.57 | 340  |
| ELJND82NJ/KF | 82         |                 |        |                       |                     |                  | 56             | 1100                | 0.63 | 330  |
| ELJNDR10J/KF | 100        | ± 5 %<br>± 10 % |        | 8                     |                     | 51               | 800            | 0.86                | 285  |      |
| ELJNDR12J/KF | 120        |                 |        |                       |                     | 10               | 32             | 600                 | 0.99 | 275  |
| ELJNDR15J/KF | 150        |                 |        |                       |                     |                  | 10             | 36                  | 600  | 1.47 |
| ELJNDR18J/KF | 180        |                 | 8      | 34                    |                     | 600              |                | 1.61                | 195  |      |
| ELJNDR22J/KF | 220        |                 |        | 10                    |                     | —                |                | 500                 | 1.84 | 170  |
| ELJNDR27J/KF | 270        |                 | 8      |                       |                     | —                |                | 300                 | 1.95 | 165  |
| ELJNDR33J/KF | 330        | 10              |        |                       |                     | —                |                | 200                 | 2.16 | 160  |
| ELJNDR39J/KF | 390        |                 | 8      |                       |                     | —                |                | 150                 | 2.37 | 150  |
| ELJNDR47J/KF | 470        |                 |        |                       |                     | 10               | —              | 150                 | 2.56 | 145  |
| ELJNDR56J/KF | 560        |                 | 8      |                       | —                   |                  | 100            | 2.69                | 140  |      |
| ELJNDR68J/KF | 680        |                 |        | 10                    | —                   |                  | 100            | 3.02                | 130  |      |
| ELJNDR82J/KF | 820        |                 | 8      |                       | —                   |                  | 80             | 3.38                | 125  |      |
| ELJND1R0J/KF | 1000       | 10              |        |                       | 8                   |                  | 7.96           | —                   | 80   | 3.88 |

\*1 : Self Resonant Frequency \*2 : DC Resistance

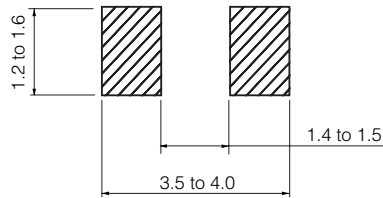
Design and specifications are subject to change without notice. Ask factory for technical specifications before purchase and/or use. Whenever a doubt about safety arises from this product, please contact us immediately for technical consultation.

## ■ Type 2520(1008)NC

### ● Dimensions in mm (not to scale)



### ● Recommended Land Pattern in mm (not to scale)



### ■ Standard Packing Quantity

- 2000 pcs./Reel

### ■ Examples

| Part No.     | Inductance |               | Q min. | L, Q Test Freq. (MHz) | SRF *1 (MHz)min. | DCR *2 (Ω)max. | DC Current (mA)max. |
|--------------|------------|---------------|--------|-----------------------|------------------|----------------|---------------------|
|              | (nH)       | Tolerance     |        |                       |                  |                |                     |
| ELJNC10NKF   | 10         | ±10 %         | 10     | 100                   | 2500             | 0.32           | 280                 |
| ELJNC12NKF   | 12         |               |        |                       | 2200             | 0.34           | 270                 |
| ELJNC15NKF   | 15         |               |        |                       | 1800             | 0.38           | 255                 |
| ELJNC18NKF   | 18         |               |        |                       | 1550             | 0.40           | 250                 |
| ELJNC22NKF   | 22         |               |        |                       | 1350             | 0.43           | 240                 |
| ELJNC27NKF   | 27         |               |        |                       | 1150             | 0.47           | 230                 |
| ELJNC33NK/JF | 33         | ±10 %         | 15     | 100                   | 1000             | 0.51           | 220                 |
| ELJNC39NK/JF | 39         |               |        |                       | 890              | 0.55           | 215                 |
| ELJNC47NK/JF | 47         |               |        |                       | 770              | 0.59           | 205                 |
| ELJNC56NK/JF | 56         |               |        |                       | 670              | 0.63           | 200                 |
| ELJNC68NK/JF | 68         |               |        |                       | 590              | 0.68           | 190                 |
| ELJNC82NK/JF | 82         |               |        |                       | 520              | 0.73           | 185                 |
| ELJNCR10K/JF | 100        | ±10 %<br>±5 % | 10     | 25.2                  | 460              | 0.80           | 175                 |
| ELJNCR12K/JF | 120        |               |        |                       | 400              | 0.87           | 170                 |
| ELJNCR15K/JF | 150        |               |        |                       | 340              | 0.98           | 160                 |
| ELJNCR18K/JF | 180        |               |        |                       | 300              | 1.05           | 155                 |
| ELJNCR22K/JF | 220        |               |        |                       | 260              | 1.15           | 145                 |
| ELJNCR27K/JF | 270        |               |        |                       | 230              | 1.25           | 140                 |
| ELJNCR33K/JF | 330        |               |        |                       | 200              | 1.37           | 135                 |
| ELJNCR39K/JF | 390        |               |        |                       | 180              | 1.47           | 130                 |
| ELJNCR47K/JF | 470        |               |        |                       | 160              | 1.58           | 125                 |
| ELJNCR56K/JF | 560        |               |        |                       | 145              | 1.70           | 120                 |
| ELJNCR68K/JF | 680        | 130           | 1.85   | 110                   |                  |                |                     |
| ELJNCR82K/JF | 820        | 100           | 2.10   | 100                   |                  |                |                     |

\*1 : Self Resonant Frequency \*2 : DC Resistance

Design and specifications are subject to change without notice. Ask factory for technical specifications before purchase and/or use.  
Whenever a doubt about safety arises from this product, please contact us immediately for technical consultation.

## ■ Type 3225(1210)NA

### ● Dimensions in mm (not to scale)



### ● Recommended Land Pattern in mm (not to scale)



### ■ Standard Packing Quantity

- 2000 pcs./Reel

### ■ Examples

| Part No.   | Inductance |             |           | Q    |             | SRF *1<br>(MHz)min. | DCR *2<br>(Ω)max. | DC Current<br>(mA)max. |
|------------|------------|-------------|-----------|------|-------------|---------------------|-------------------|------------------------|
|            | (μH)       | Freq. (MHz) | Tolerance | min. | Freq. (MHz) |                     |                   |                        |
| ELJNA47NMF | 0.047      | 100         | ±20 %     | 10   | 100         | 680                 | 0.20              | 450                    |
| ELJNA56NMF | 0.056      |             |           |      |             | 600                 | 0.22              | 420                    |
| ELJNA68NMF | 0.068      |             |           |      |             | 540                 | 0.25              | 400                    |
| ELJNA82NMF | 0.082      |             |           |      |             | 500                 | 0.27              | 380                    |
| ELJNAR10MF | 0.100      |             |           |      |             | 450                 | 0.30              | 360                    |
| ELJNAR12MF | 0.120      | 25.2        | ±10 %     | 10   | 25.2        | 400                 | 0.67              | 240                    |
| ELJNAR15MF | 0.150      |             |           |      |             | 350                 | 0.72              | 230                    |
| ELJNAR18MF | 0.180      |             |           |      |             | 320                 | 0.81              | 220                    |
| ELJNAR22KF | 0.220      | 1.0         | ±10 %     | 13   | 7.96        | 280                 | 0.90              | 210                    |
| ELJNAR27KF | 0.270      |             |           |      |             | 250                 | 1.00              | 200                    |
| ELJNAR33KF | 0.330      |             |           |      |             | 220                 | 1.10              | 190                    |
| ELJNAR39KF | 0.390      |             |           |      |             | 200                 | 1.20              | 180                    |
| ELJNAR47KF | 0.470      |             |           |      |             | 180                 | 1.40              | 175                    |
| ELJNAR56KF | 0.560      |             |           |      |             | 160                 | 1.50              | 170                    |
| ELJNAR68KF | 0.680      |             |           |      |             | 150                 | 1.70              | 155                    |
| ELJNAR82KF | 0.820      |             |           |      |             | 135                 | 1.90              | 145                    |
| ELJNA1R0JF | 1.000      |             |           |      |             | 120                 | 2.10              | 125                    |
| ELJNA1R2JF | 1.200      |             |           |      |             | 110                 | 2.30              | 120                    |
| ELJNA1R5JF | 1.500      | 95          | 2.70      | 115  |             |                     |                   |                        |
| ELJNA1R8JF | 1.800      | 85          | 3.00      | 110  |             |                     |                   |                        |
| ELJNA2R2JF | 2.200      | 80          | 3.20      | 110  |             |                     |                   |                        |
| ELJNA2R7JF | 2.700      | 70          | 3.60      | 105  |             |                     |                   |                        |
| ELJNA3R3JF | 3.300      | 62          | 4.20      | 100  |             |                     |                   |                        |
| ELJNA3R9JF | 3.900      | 57          | 4.40      | 95   |             |                     |                   |                        |
| ELJNA4R7JF | 4.700      | 52          | 7.70      | 70   |             |                     |                   |                        |
| ELJNA5R6JF | 5.600      | 46          | 8.70      | 65   |             |                     |                   |                        |
| ELJNA6R8JF | 6.800      | 42          | 10.00     | 60   |             |                     |                   |                        |
| ELJNA8R2JF | 8.200      | 38          | 11.00     | 60   |             |                     |                   |                        |

\*1 : Self Resonant Frequency \*2 : DC Resistance

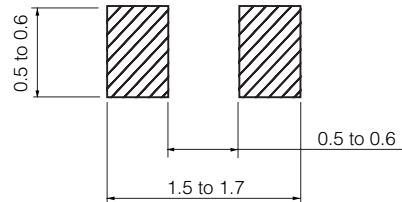
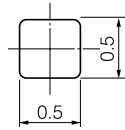
Design and specifications are subject to change without notice. Ask factory for technical specifications before purchase and/or use.  
Whenever a doubt about safety arises from this product, please contact us immediately for technical consultation.

## 2. Type Non Wound (High-Q) QF

### ■ Type 1005(0402)QF

● Dimensions in mm (not to scale)

● Recommended Land Pattern in mm (not to scale)



### ■ Standard Packing Quantity

● 10000 pcs./Reel

### ■ Examples

| Part No.     | Inductance |           |                | Q               |                 | SRF *1<br>(MHz)min. | DCR *2<br>(Ω)max. | DC Current<br>(mA)max. |      |      |     |
|--------------|------------|-----------|----------------|-----------------|-----------------|---------------------|-------------------|------------------------|------|------|-----|
|              | (μH)       | Tolerance | Freq.<br>(MHz) | 100 MHz<br>min. | 800 MHz<br>typ. |                     |                   |                        |      |      |     |
| ELJQF1N0D/ZF | 1.0        | ±0.3 nH   | 100            | 10              | 41              | 6000                | 0.05              | 400                    |      |      |     |
| ELJQF1N2D/ZF | 1.2        |           |                |                 |                 | 6000                | 0.06              | 400                    |      |      |     |
| ELJQF1N5D/ZF | 1.5        |           |                |                 | 40              | 6000                | 0.07              | 400                    |      |      |     |
| ELJQF1N8D/ZF | 1.8        |           |                |                 |                 | 6000                | 0.08              | 400                    |      |      |     |
| ELJQF2N2D/ZF | 2.2        |           |                |                 | ±0.2 nH         | 100                 | 10                | 39                     | 6000 | 0.09 | 400 |
| ELJQF2N7D/ZF | 2.7        |           |                |                 |                 |                     |                   |                        | 5500 | 0.10 | 400 |
| ELJQF3N3D/ZF | 3.3        |           |                |                 |                 |                     |                   |                        | 5500 | 0.12 | 400 |
| ELJQF3N9D/ZF | 3.9        |           |                |                 |                 |                     |                   | 5200                   | 0.15 | 360  |     |
| ELJQF4N7D/ZF | 4.7        |           |                |                 |                 |                     |                   | 4800                   | 0.17 | 360  |     |
| ELJQF5N6D/ZF | 5.6        |           |                |                 |                 |                     |                   | 4600                   | 0.19 | 340  |     |
| ELJQF6N8J/ZF | 6.8        | ±5 %      | 100            | 10              | 38              | 4000                | 0.30              | 320                    |      |      |     |
| ELJQF8N2J/ZF | 8.2        |           |                |                 |                 | 3500                | 0.35              | 320                    |      |      |     |
| ELJQF10NJ/GF | 10.0       |           |                |                 | ±2 %            | 100                 | 10                | 36                     | 2800 | 0.41 | 320 |
| ELJQF12NJ/GF | 12.0       |           |                |                 |                 |                     |                   |                        | 2800 | 0.45 | 320 |
| ELJQF15NJ/GF | 15.0       |           |                |                 |                 |                     |                   |                        | 2500 | 0.60 | 240 |
| ELJQF18NJ/GF | 18.0       |           |                |                 |                 |                     |                   | 2200                   | 0.70 | 240  |     |
| ELJQF22NJ/GF | 22.0       |           |                |                 |                 |                     |                   | 2200                   | 0.80 | 200  |     |
| ELJQF27NJ/GF | 27.0       |           |                |                 |                 |                     |                   | 1800                   | 1.20 | 200  |     |
| ELJQF33NJ/GF | 33.0       | 35        | 100            | 10              | 1800            | 1.40                | 170               |                        |      |      |     |
| ELJQF39NJ/GF | 39.0       |           |                |                 | 1800            | 1.70                | 150               |                        |      |      |     |

\*1 : Self Resonant Frequency \*2 : DC Resistance



## 3. Normal Types FC, FA, FB

### ■ Type 2520(1008)FC

● Dimensions in mm (not to scale)



● Recommended Land Pattern in mm (not to scale)



### ■ Standard Packing Quantity

● 2000 pcs./Reel

### ■ Examples

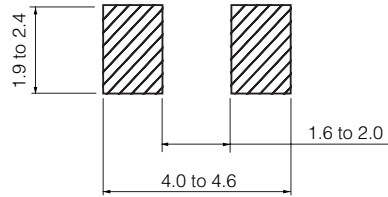
| Part No.     | Inductance |                | Q min. | L, Q Test Freq. (MHz) | SRF *1 (MHz)min. | DCR *2 (Ω)max. | DC Current (mA)max. |      |    |
|--------------|------------|----------------|--------|-----------------------|------------------|----------------|---------------------|------|----|
|              | (μH)       | Tolerance      |        |                       |                  |                |                     |      |    |
| ELJFCR22M/KF | 0.22       | ±20 %<br>±10 % | 25     | 25.2                  | 230              | 0.70           | 190                 |      |    |
| ELJFCR27M/KF | 0.27       |                |        |                       | 210              | 0.75           | 180                 |      |    |
| ELJFCR33M/KF | 0.33       |                |        |                       | 190              | 0.85           | 170                 |      |    |
| ELJFCR39M/KF | 0.39       |                |        |                       | 175              | 0.95           | 160                 |      |    |
| ELJFCR47M/KF | 0.47       |                |        |                       | 160              | 1.00           | 155                 |      |    |
| ELJFCR56M/KF | 0.56       |                |        |                       | 150              | 1.10           | 150                 |      |    |
| ELJFCR68M/KF | 0.68       |                |        |                       | 135              | 1.25           | 140                 |      |    |
| ELJFCR82M/KF | 0.82       |                |        |                       | 125              | 1.40           | 130                 |      |    |
| ELJFC1R0K/JF | 1.00       | ±10 %<br>± 5 % |        | 25                    | 7.96             | 115            | 0.65                | 195  |    |
| ELJFC1R2K/JF | 1.20       |                |        |                       |                  | 100            | 0.75                | 180  |    |
| ELJFC1R5K/JF | 1.50       |                |        |                       |                  | 90             | 0.85                | 170  |    |
| ELJFC1R8K/JF | 1.80       |                |        |                       |                  | 85             | 0.95                | 160  |    |
| ELJFC2R2K/JF | 2.20       |                |        |                       |                  | 80             | 1.05                | 155  |    |
| ELJFC2R7K/JF | 2.70       |                |        |                       |                  | 75             | 1.20                | 145  |    |
| ELJFC3R3K/JF | 3.30       |                |        |                       |                  | 65             | 1.30                | 135  |    |
| ELJFC3R9K/JF | 3.90       |                |        |                       |                  | 60             | 1.40                | 130  |    |
| ELJFC4R7K/JF | 4.70       |                | 55     |                       |                  | 1.55           | 125                 |      |    |
| ELJFC5R6K/JF | 5.60       |                | 50     |                       |                  | 1.75           | 120                 |      |    |
| ELJFC6R8K/JF | 6.80       |                | 45     |                       |                  | 1.95           | 115                 |      |    |
| ELJFC8R2K/JF | 8.20       |                | 40     |                       |                  | 2.20           | 105                 |      |    |
| ELJFC100K/JF | 10.00      |                | 20     |                       |                  | 25.2           | 32                  | 3.50 | 80 |
| ELJFC120K/JF | 12.00      |                |        |                       |                  |                | 30                  | 3.80 | 75 |
| ELJFC150K/JF | 15.00      | 28             |        | 4.40                  | 70               |                |                     |      |    |
| ELJFC180K/JF | 18.00      | 25             |        | 5.00                  | 65               |                |                     |      |    |
| ELJFC220K/JF | 22.00      | 22             |        | 5.80                  | 60               |                |                     |      |    |
| ELJFC270K/JF | 27.00      | 21             |        | 6.30                  | 115              |                |                     |      |    |
| ELJFC330K/JF | 33.00      | 20             |        | 7.10                  | 110              |                |                     |      |    |
| ELJFC390K/JF | 39.00      | 18             |        | 9.50                  | 90               |                |                     |      |    |
| ELJFC470K/JF | 47.00      | 17             |        | 11.00                 | 80               |                |                     |      |    |
| ELJFC560K/JF | 56.00      | 16             |        | 12.10                 | 75               |                |                     |      |    |
| ELJFC680K/JF | 68.00      | 15             |        | 16.60                 | 70               |                |                     |      |    |
| ELJFC820K/JF | 82.00      | 13             |        | 19.00                 | 65               |                |                     |      |    |
| ELJFC101K/JF | 100.00     | 15             | 0.796  | 12                    | 21.00            | 60             |                     |      |    |

\*1 : Self Resonant Frequency \*2 : DC Resistance

■ Type 3225(1210)FA

● Dimensions in mm (not to scale)

● Recommended Land Pattern in mm (not to scale)



■ Standard Packing Quantity

● 2000 pcs./Reel

■ Examples

| Part No.      | Inductance |                | Q min. | L, Q Test Freq. (MHz) | SRF *1 (MHz)min. | DCR *2 (Ω)max. | DC Current (mA)max. |
|---------------|------------|----------------|--------|-----------------------|------------------|----------------|---------------------|
|               | (μH)       | Tolerance      |        |                       |                  |                |                     |
| ELJFAR22M/KF2 | 0.22       | ±20 %<br>±10 % | 25     | 25.2                  | 230              | 0.29           | 360                 |
| ELJFAR27M/KF2 | 0.27       |                |        |                       | 210              | 0.32           | 345                 |
| ELJFAR33M/KF2 | 0.33       |                |        |                       | 190              | 0.35           | 330                 |
| ELJFAR39M/KF2 | 0.39       |                |        |                       | 175              | 0.39           | 305                 |
| ELJFAR47M/KF2 | 0.47       |                |        |                       | 160              | 0.44           | 290                 |
| ELJFAR56M/KF2 | 0.56       |                |        |                       | 150              | 0.49           | 275                 |
| ELJFAR68M/KF2 | 0.68       |                |        |                       | 135              | 0.55           | 260                 |
| ELJFAR82M/KF2 | 0.82       |                |        |                       | 125              | 0.61           | 245                 |
| ELJFA1R0K/JF2 | 1.00       |                |        |                       | ±10 %<br>±5 %    | 30             | 7.96                |
| ELJFA1R2K/JF2 | 1.20       | 100            | 0.75   | 215                   |                  |                |                     |
| ELJFA1R5K/JF  | 1.50       | 90             | 0.75   | 210                   |                  |                |                     |
| ELJFA1R8K/JF  | 1.80       | 85             | 0.82   | 200                   |                  |                |                     |
| ELJFA2R2K/JF  | 2.20       | 80             | 0.95   | 190                   |                  |                |                     |
| ELJFA2R7K/JF  | 2.70       | 75             | 1.10   | 180                   |                  |                |                     |
| ELJFA3R3K/JF  | 3.30       | 65             | 1.20   | 180                   |                  |                |                     |
| ELJFA3R9K/JF  | 3.90       | 60             | 1.30   | 175                   |                  |                |                     |
| ELJFA4R7K/JF  | 4.70       | 55             | 1.50   | 165                   |                  |                |                     |
| ELJFA5R6K/JF  | 5.60       | 50             | 1.60   | 160                   |                  |                |                     |
| ELJFA6R8K/JF  | 6.80       | 45             | 1.80   | 150                   |                  |                |                     |
| ELJFA8R2K/JF  | 8.20       | 40             | 2.00   | 140                   |                  |                |                     |
| ELJFA100K/JF  | 10.00      | 36             | 2.10   | 140                   |                  |                |                     |
| ELJFA120K/JF  | 12.00      | 33             | 2.50   | 125                   |                  |                |                     |
| ELJFA150K/JF  | 15.00      | 30             | 2.80   | 120                   |                  |                |                     |
| ELJFA180K/JF  | 18.00      | 27             | 3.30   | 110                   |                  |                |                     |
| ELJFA220K/JF  | 22.00      | 25             | 3.70   | 105                   |                  |                |                     |
| ELJFA270K/JF  | 27.00      | 22             | 5.00   | 90                    |                  |                |                     |
| ELJFA330K/JF  | 33.00      | 20             | 5.60   | 85                    |                  |                |                     |
| ELJFA390K/JF  | 39.00      | 20             | 6.40   | 80                    |                  |                |                     |
| ELJFA470K/JF  | 47.00      | 15             | 7.00   | 75                    |                  |                |                     |
| ELJFA560K/JF  | 56.00      | 15             | 8.00   | 70                    |                  |                |                     |
| ELJFA680K/JF  | 68.00      | 15             | 9.00   | 65                    |                  |                |                     |
| ELJFA820K/JF  | 82.00      | 11             | 10.00  | 60                    |                  |                |                     |
| ELJFA101K/JF  | 100.00     | 10             | 10.00  | 60                    |                  |                |                     |
| ELJFA121K/JF  | 120.00     | 10             | 11.00  | 55                    |                  |                |                     |
| ELJFA151K/JF  | 150.00     | 8              | 15.00  | 50                    |                  |                |                     |
| ELJFA181K/JF  | 180.00     | 7              | 17.00  | 50                    |                  |                |                     |
| ELJFA221K/JF  | 220.00     | 7              | 21.00  | 45                    |                  |                |                     |

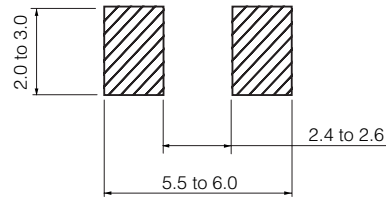
\*1 : Self Resonant Frequency \*2 : DC Resistance

■ Type 4532(1812)FB

● Dimensions in mm (not to scale)



● Recommended Land Pattern in mm (not to scale)



■ Standard Packing Quantity

● 500 pcs./Reel

■ Examples

| Part No.     | Inductance |             |           | Q     |             | SRF *1<br>(MHz)min. | DCR *2<br>(Ω)max. | DC Current<br>(mA)max. |
|--------------|------------|-------------|-----------|-------|-------------|---------------------|-------------------|------------------------|
|              | (μH)       | Freq. (MHz) | Tolerance | min.  | Freq. (MHz) |                     |                   |                        |
| ELJFBR22MF   | 0.22       | 1.0         | ±20 %     | 30    | 25.2        | 230.0               | 0.30              | 700                    |
| ELJFBR27MF   | 0.27       |             |           |       |             | 200.0               | 0.32              | 650                    |
| ELJFBR33MF   | 0.33       |             |           |       |             | 180.0               | 0.35              | 630                    |
| ELJFBR39MF   | 0.39       |             |           |       |             | 155.0               | 0.37              | 620                    |
| ELJFBR47MF   | 0.47       |             |           |       |             | 135.0               | 0.40              | 580                    |
| ELJFBR56MF   | 0.56       |             |           |       |             | 120.0               | 0.42              | 560                    |
| ELJFBR68MF   | 0.68       |             | 105.0     | 0.48  | 530         |                     |                   |                        |
| ELJFBR82MF   | 0.82       |             | 90.0      | 0.50  | 500         |                     |                   |                        |
| ELJFB1R0M/KF | 1.00       |             | 80.0      | 0.52  | 470         |                     |                   |                        |
| ELJFB1R2M/KF | 1.20       |             | 70.0      | 0.55  | 460         |                     |                   |                        |
| ELJFB1R5M/KF | 1.50       |             | 60.0      | 0.61  | 430         |                     |                   |                        |
| ELJFB1R8M/KF | 1.80       |             | 50.0      | 0.61  | 410         |                     |                   |                        |
| ELJFB2R2M/KF | 2.20       |             | ±20 %     | 50    | 7.96        | 45.0                | 0.61              | 410                    |
| ELJFB2R7M/KF | 2.70       |             |           |       |             | 43.0                | 0.61              | 400                    |
| ELJFB3R3M/KF | 3.30       |             |           |       |             | 39.0                | 0.66              | 380                    |
| ELJFB3R9M/KF | 3.90       |             |           |       |             | 36.0                | 0.74              | 360                    |
| ELJFB4R7M/KF | 4.70       |             |           |       |             | 33.0                | 0.81              | 350                    |
| ELJFB5R6M/KF | 5.60       |             |           |       |             | 30.0                | 0.88              | 330                    |
| ELJFB6R8M/KF | 6.80       | ±10 %       | 40        | 5     | 26.0        | 1.00                | 310               |                        |
| ELJFB8R2M/KF | 8.20       |             |           |       | 24.0        | 1.60                | 250               |                        |
| ELJFB100K/JF | 10.00      |             |           |       | 22.0        | 1.80                | 235               |                        |
| ELJFB120K/JF | 12.00      |             |           |       | 20.0        | 1.90                | 225               |                        |
| ELJFB150K/JF | 15.00      |             |           |       | 18.0        | 2.10                | 215               |                        |
| ELJFB180K/JF | 18.00      |             |           |       | 16.0        | 2.30                | 205               |                        |
| ELJFB220K/JF | 22.00      | ±5 %        | 30        | 2.52  | 15.0        | 2.60                | 195               |                        |
| ELJFB270K/JF | 27.00      |             |           |       | 13.0        | 2.90                | 185               |                        |
| ELJFB330K/JF | 33.00      |             |           |       | 12.0        | 3.10                | 175               |                        |
| ELJFB390K/JF | 39.00      |             |           |       | 10.0        | 3.60                | 165               |                        |
| ELJFB470K/JF | 47.00      |             |           |       | 9.7         | 4.20                | 130               |                        |
| ELJFB560K/JF | 56.00      |             |           |       | 9.0         | 4.70                | 125               |                        |
| ELJFB680K/JF | 68.00      | ±10 %       | 40        | 1.5   | 8.2         | 5.30                | 115               |                        |
| ELJFB820K/JF | 82.00      |             |           |       | 7.5         | 5.90                | 110               |                        |
| ELJFB101K/JF | 100.00     |             |           |       | 6.7         | 8.80                | 105               |                        |
| ELJFB121K/JF | 120.00     |             |           |       | 6.1         | 10.00               | 100               |                        |
| ELJFB151K/JF | 150.00     |             |           |       | 5.5         | 11.00               | 95                |                        |
| ELJFB181K/JF | 180.00     |             |           |       | 5.1         | 13.00               | 85                |                        |
| ELJFB221K/JF | 220.00     | ±5 %        | 30        | 0.796 | 4.5         | 13.00               | 85                |                        |
| ELJFB271K/JF | 270.00     |             |           |       | 4.1         | 14.00               | 80                |                        |
| ELJFB331K/JF | 330.00     |             |           |       | 3.7         | 16.00               | 75                |                        |
| ELJFB391K/JF | 390.00     |             |           |       | 3.3         | 19.00               | 70                |                        |
| ELJFB471K/JF | 470.00     |             |           |       | 3.3         | 31.00               | 55                |                        |
| ELJFB561K/JF | 560.00     |             |           |       | 2.7         | 35.00               | 50                |                        |
| ELJFB681K/JF | 680.00     | ±5 %        | 30        | 0.796 | 2.5         | 39.00               | 50                |                        |
| ELJFB821K/JF | 820.00     |             |           |       | 2.4         | 45.00               | 45                |                        |
| ELJFB102K/JF | 1000.00    |             |           |       | 2.1         | 53.00               | 40                |                        |

\*1 : Self Resonant Frequency \*2 : DC Resistance

## 4. Magnetic Shielded Type SA

### ■ Type 3225(1210)SA

#### ● Dimensions in mm (not to scale)



#### ● Recommended Land Pattern in mm (not to scale)



#### ■ Standard Packing Quantity

- 2000 pcs./1 reel

#### ■ Examples

| Part No.   | Inductance |             |           | Q    |             | SRF *1<br>(MHz)min. | DCR *2<br>(Ω)max. | DC Current<br>(mA)max. |
|------------|------------|-------------|-----------|------|-------------|---------------------|-------------------|------------------------|
|            | (μH)       | Freq. (MHz) | Tolerance | min. | Freq. (MHz) |                     |                   |                        |
| ELJSA100KF | 10         | 1.0         | ±10 %     | 40   | 5.0         | 30                  | 1.8               | 18                     |
| ELJSA120KF | 12         |             |           |      |             | 28                  | 2.0               | 17                     |
| ELJSA150KF | 15         |             |           |      |             | 25                  | 2.2               | 15                     |
| ELJSA180KF | 18         |             |           |      |             | 23                  | 2.5               | 13                     |
| ELJSA220KF | 22         |             |           |      |             | 20                  | 2.8               | 12                     |
| ELJSA270KF | 27         |             |           |      |             | 18                  | 3.2               | 10                     |
| ELJSA330KF | 33         |             |           |      |             | 17                  | 3.5               | 10                     |
| ELJSA390KF | 39         |             |           |      | 15          | 3.8                 | 9                 |                        |
| ELJSA470KF | 47         |             |           |      | 14          | 4.0                 | 8                 |                        |
| ELJSA560KF | 56         |             |           |      | 13          | 4.5                 | 7                 |                        |
| ELJSA680KF | 68         |             |           |      | 12          | 5.0                 | 6                 |                        |
| ELJSA820KF | 82         |             |           |      | 11          | 6.0                 | 6                 |                        |
| ELJSA101KF | 100        |             |           |      | 10          | 7.0                 | 5                 |                        |
| ELJSA121KF | 120        | 0.1         |           |      | 1.5         | 9                   | 8.0               | 5                      |
| ELJSA151KF | 150        |             |           |      |             | 5                   | 9.0               | 5                      |
| ELJSA181KF | 180        |             |           |      |             | 5                   | 11.0              | 5                      |
| ELJSA221KF | 220        |             |           |      |             | 4                   | 12.0              | 5                      |
| ELJSA271KF | 270        |             |           |      |             | 4                   | 14.0              | 5                      |

\*1 : Self Resonant Frequency \*2 : DC Resistance

## 5. High Power Types PF, PE, PC, PA, PB

### ■ Type 1005(0402)PF

● Dimensions in mm (not to scale)

● Recommended Land Pattern in mm (not to scale)



### ■ Standard Packing Quantity

● 10000 pcs./Reel

### ■ Examples

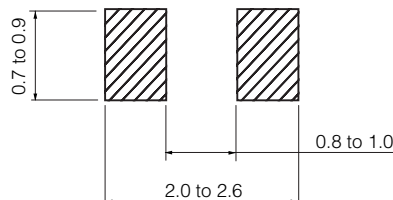
| Part No.*3 | Inductance |           | Q min. | L, Q Test Freq. (MHz) | SRF*1 (MHz)min. | DCR*2 (Ω)max. | DC Current (mA)max. |
|------------|------------|-----------|--------|-----------------------|-----------------|---------------|---------------------|
|            | (nH)       | Tolerance |        |                       |                 |               |                     |
| ELJPF2N2DF | 2.2        | ± 0.3 nH  | 7      | 100                   | 5300            | 0.04          | 1900                |
| ELJPF2N7DF | 2.7        |           |        |                       |                 |               |                     |
| ELJPF3N3DF | 3.3        |           |        |                       |                 |               |                     |
| ELJPF3N9DF | 3.9        |           |        |                       |                 |               |                     |
| ELJPF4N7DF | 4.7        |           |        |                       |                 |               |                     |
| ELJPF5N6DF | 5.6        |           |        |                       |                 |               |                     |
| ELJPF6N8JF | 6.8        | ± 5 %     |        |                       | 4000            | 0.16          | 1100                |
| ELJPF8N2JF | 8.2        |           |        |                       |                 |               |                     |
| ELJPF10NJF | 10.0       |           |        |                       |                 |               |                     |
|            |            |           |        |                       |                 |               |                     |

\*1 : Self Resonant Frequency \*2 : DC Resistance \*3 Lead-Free P/Ns have an "FB" suffix, rather than 'F'

## ■ Type 1608(0603)PE

● Dimensions in mm (not to scale)

● Recommended Land Pattern in mm (not to scale)



## ■ Standard Packing Quantity

● 3000 pcs./Reel

## ■ Examples

| Part No.*3 | Inductance |           | Q min. | L, Q Test Freq. (MHz) | SRF *1 (MHz) min. | DCR *2 (Ω)max. | DC Current (mA)max. |
|------------|------------|-----------|--------|-----------------------|-------------------|----------------|---------------------|
|            | (nH)       | Tolerance |        |                       |                   |                |                     |
| ELJPE2N2KF | 2.2        | ± 10 %    | 8      | 100                   | 6000              | 0.030          | 2100                |
| ELJPE2N7KF | 2.7        |           |        |                       | 5500              | 0.030          | 2100                |
| ELJPE3N3KF | 3.3        |           |        |                       | 5500              | 0.040          | 2100                |
| ELJPE3N9KF | 3.9        |           | 5200   |                       | 0.040             | 2100           |                     |
| ELJPE4N7KF | 4.7        |           | 4800   |                       | 0.050             | 2100           |                     |
| ELJPE5N6KF | 5.6        |           | 4600   |                       | 0.055             | 2100           |                     |
| ELJPE6N8KF | 6.8        |           | 4000   |                       | 0.055             | 1900           |                     |
| ELJPE8N2KF | 8.2        |           | 3500   |                       | 0.060             | 1700           |                     |
| ELJPE10NKF | 10.0       |           | 2800   |                       | 0.065             | 1400           |                     |
| ELJPE12NKF | 12.0       |           | 2500   |                       | 0.080             | 1300           |                     |
| ELJPE15NKF | 15.0       |           | 2200   |                       | 0.100             | 900            |                     |
| ELJPE18NKF | 18.0       |           | 2000   |                       | 0.120             | 800            |                     |
| ELJPE22NKF | 22.0       |           | 1800   |                       | 0.150             | 700            |                     |

\*1 : Self Resonant Frequency \*2 : DC Resistance \*3 Lead-Free P/Ns have an "FA" suffix, rather than 'F'

## ■ Type 2520(1008)PC

● Dimensions in mm (not to scale)

● Recommended Land Pattern in mm (not to scale)



## ■ Standard Packing Quantity

● 2000 pcs./Reel

## ■ Examples

| Part No.   | Inductance |           | Q min. | L, Q Test Freq. (MHz) | SRF *1 (MHz)min. | DCR *2 (Ω)max. | DC Current (mA)max. |
|------------|------------|-----------|--------|-----------------------|------------------|----------------|---------------------|
|            | (μH)       | Tolerance |        |                       |                  |                |                     |
| ELJPC1R0MF | 1.0        | ±20 %     | 10     | 7.96                  | 95               | 0.45           | 475                 |
| ELJPC1R5MF | 1.5        |           |        |                       | 85               | 0.55           | 435                 |
| ELJPC2R2MF | 2.2        |           |        |                       | 65               | 0.65           | 390                 |
| ELJPC3R3MF | 3.3        |           |        |                       | 55               | 0.85           | 340                 |
| ELJPC4R7MF | 4.7        |           |        |                       | 8                | 43             | 1.20                |
| ELJPC6R8KF | 6.8        | ±10 %     | 8.5    | 2.52                  | 44               | 1.30           | 170                 |
| ELJPC100KF | 10.0       |           | 20     |                       | 32               | 2.20           | 210                 |
| ELJPC120KF | 12.0       |           |        |                       | 25               | 2.70           | 195                 |
| ELJPC150KF | 15.0       |           |        |                       | 21               | 3.20           | 175                 |
| ELJPC220KF | 22.0       |           |        |                       | 18               | 4.00           | 160                 |
| ELJPC330KF | 33.0       |           |        |                       | 16               | 6.50           | 120                 |

\*1 : Self Resonant Frequency \*2 : DC Resistance

## ■ Type 3225(1210)PA

### ● Dimensions in mm (not to scale)



### ● Recommended Land Pattern in mm (not to scale)



### ■ Standard Packing Quantity

- 2000 pcs./Reel

### ■ Examples

| Part No.   | Inductance |           | Q min. | L, Q Test Freq. (MHz) | SRF *1 (MHz)min. | DCR *2 (Ω)max. | DC Current (mA)max. |
|------------|------------|-----------|--------|-----------------------|------------------|----------------|---------------------|
|            | (μH)       | Tolerance |        |                       |                  |                |                     |
| ELJPA1R0MF | 1.0        | ±20 %     | 7      | 7.96                  | 150.0            | 0.15           | 600                 |
| ELJPA1R5MF | 1.5        |           |        |                       | 110.0            | 0.18           | 550                 |
| ELJPA2R2MF | 2.2        |           |        |                       | 80.0             | 0.23           | 500                 |
| ELJPA3R3MF | 3.3        |           |        |                       | 58.0             | 0.28           | 400                 |
| ELJPA4R7MF | 4.7        |           |        |                       | 46.0             | 0.34           | 350                 |
| ELJPA6R8MF | 6.8        |           |        |                       | 38.0             | 0.42           | 300                 |
| ELJPA100KF | 10.0       | ±10 %     | 15     | 2.52                  | 23.0             | 0.50           | 240                 |
| ELJPA120KF | 12.0       |           |        |                       | 21.0             | 0.60           | 230                 |
| ELJPA150KF | 15.0       |           |        |                       | 18.0             | 0.74           | 220                 |
| ELJPA180KF | 18.0       |           |        |                       | 17.0             | 0.90           | 205                 |
| ELJPA220KF | 22.0       |           |        |                       | 15.0             | 1.15           | 185                 |
| ELJPA270KF | 27.0       |           |        |                       | 13.0             | 1.45           | 165                 |
| ELJPA330KF | 33.0       |           |        |                       | 12.0             | 1.65           | 155                 |
| ELJPA390KF | 39.0       |           |        |                       | 11.0             | 1.90           | 145                 |
| ELJPA470KF | 47.0       |           |        |                       | 9.5              | 2.25           | 135                 |
| ELJPA560KF | 56.0       |           |        |                       | 8.5              | 3.30           | 110                 |
| ELJPA680KF | 68.0       |           |        |                       | 7.5              | 3.70           | 105                 |
| ELJPA820KF | 82.0       |           |        |                       | 7.0              | 4.20           | 100                 |
| ELJPA101KF | 100.0      | 20        | 0.796  | 6.5                   | 5.00             | 90             |                     |
| ELJPA121KF | 120.0      |           |        | 6.0                   | 7.00             | 75             |                     |
| ELJPA151KF | 150.0      |           |        | 5.5                   | 8.00             | 70             |                     |
| ELJPA181KF | 180.0      |           |        | 5.0                   | 9.50             | 65             |                     |
| ELJPA221KF | 220.0      |           |        | 4.0                   | 11.00            | 60             |                     |
| ELJPA271KF | 270.0      |           |        | 3.5                   | 14.50            | 55             |                     |
| ELJPA331KF | 330.0      | 3.0       | 16.00  | 50                    |                  |                |                     |

\*1 : Self Resonant Frequency \*2 : DC Resistance

Design and specifications are subject to change without notice. Ask factory for technical specifications before purchase and/or use. Whenever a doubt about safety arises from this product, please contact us immediately for technical consultation.

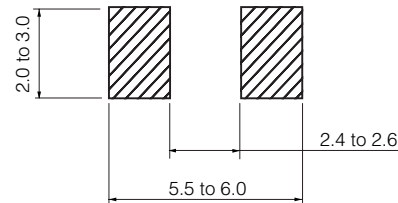


## ■ Type 4532(1812)PB

### ● Dimensions in mm (not to scale)



### ● Recommended Land Pattern in mm (not to scale)



### ■ Standard Packing Quantity

- 500 pcs./Reel

### ■ Examples

| Part No.   | Inductance |           | Q min. | L, Q Test Freq. (MHz) | SRF *1 (MHz)min. | DCR *2 (Ω)max. | DC Current (mA)max. |      |     |
|------------|------------|-----------|--------|-----------------------|------------------|----------------|---------------------|------|-----|
|            | (μH)       | Tolerance |        |                       |                  |                |                     |      |     |
| ELJPB100KF | 10         | ±10 %     | 10     | 2.52                  | 19.0             | 0.65           | 360                 |      |     |
| ELJPB120KF | 12         |           |        |                       | 17.0             | 0.70           | 340                 |      |     |
| ELJPB150KF | 15         |           |        |                       | 15.0             | 0.80           | 320                 |      |     |
| ELJPB180KF | 18         |           |        |                       | 14.0             | 0.90           | 310                 |      |     |
| ELJPB220KF | 22         |           |        |                       | 13.0             | 1.00           | 300                 |      |     |
| ELJPB270KF | 27         |           |        |                       | 11.0             | 1.20           | 270                 |      |     |
| ELJPB330KF | 33         |           |        |                       | 10.0             | 1.40           | 250                 |      |     |
| ELJPB390KF | 39         |           |        |                       | 9.5              | 1.60           | 230                 |      |     |
| ELJPB470KF | 47         |           |        |                       | 8.5              | 1.90           | 210                 |      |     |
| ELJPB560KF | 56         |           |        |                       | 8.0              | 2.20           | 190                 |      |     |
| ELJPB680KF | 68         |           |        |                       | 7.0              | 2.60           | 170                 |      |     |
| ELJPB820KF | 82         |           |        |                       | 6.5              | 3.50           | 160                 |      |     |
| ELJPB101KF | 100        |           |        |                       | 20               | 0.796          | 6.0                 | 4.00 | 150 |
| ELJPB121KF | 120        |           |        |                       |                  |                | 5.5                 | 4.50 | 130 |
| ELJPB151KF | 150        | 5.0       | 6.50   | 120                   |                  |                |                     |      |     |
| ELJPB181KF | 180        | 4.5       | 7.50   | 110                   |                  |                |                     |      |     |
| ELJPB221KF | 220        | 4.0       | 9.00   | 90                    |                  |                |                     |      |     |

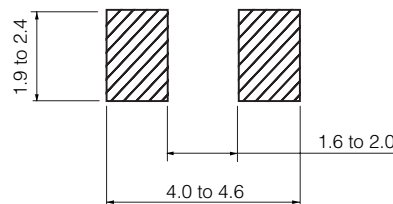
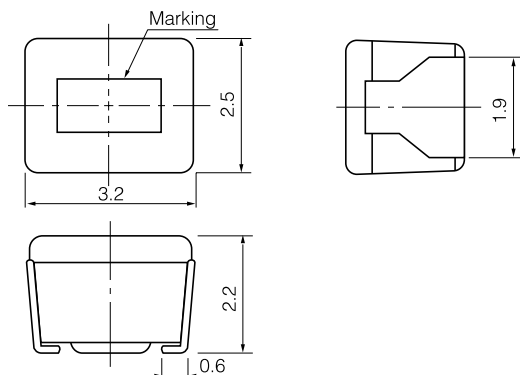
\*1 : Self Resonant Frequency \*2 : DC Resistance

## 6. Low DC resistance Type EA

### ■ Type 3225(1210)EA

● Dimensions in mm (not to scale)

● Recommended Land Pattern in mm (not to scale)



### ■ Standard Packing Quantity

● 2000 pcs./Reel

### ■ Examples

| Part No.   | Inductance |           | Q min. | L, Q Test Freq. (MHz) | SRF *1 (MHz)min. | DCR *2 (Ω)max. | DC Current (mA)max. |      |    |
|------------|------------|-----------|--------|-----------------------|------------------|----------------|---------------------|------|----|
|            | (μH)       | Tolerance |        |                       |                  |                |                     |      |    |
| ELJEA1R0MF | 1.0        | ±20 %     | 7      | 7.96                  | 100.0            | 0.09           | 500                 |      |    |
| ELJEA1R5MF | 1.5        |           |        |                       | 80.0             | 0.10           | 390                 |      |    |
| ELJEA2R2MF | 2.2        |           |        |                       | 65.0             | 0.13           | 350                 |      |    |
| ELJEA3R3MF | 3.3        |           |        |                       | 50.0             | 0.16           | 270                 |      |    |
| ELJEA4R7MF | 4.7        |           |        |                       | 46.0             | 0.18           | 240                 |      |    |
| ELJEA6R8MF | 6.8        |           |        |                       | 36.0             | 0.25           | 200                 |      |    |
| ELJEA100KF | 10.0       | ±10 %     | 10     | 2.52                  | 29.0             | 0.34           | 160                 |      |    |
| ELJEA150KF | 15.0       |           |        |                       | 25.0             | 0.42           | 145                 |      |    |
| ELJEA220KF | 22.0       |           |        |                       | 18.0             | 0.65           | 115                 |      |    |
| ELJEA330KF | 33.0       |           |        |                       | 16.0             | 0.91           | 95                  |      |    |
| ELJEA470KF | 47.0       |           |        |                       | 13.0             | 1.30           | 80                  |      |    |
| ELJEA680KF | 68.0       |           |        |                       | 10.0             | 1.95           | 60                  |      |    |
| ELJEA101KF | 100.0      |           |        |                       | 20               | 0.796          | 8.0                 | 3.12 | 50 |
| ELJEA151KF | 150.0      |           |        |                       |                  |                | 7.0                 | 4.03 | 45 |
| ELJEA221KF | 220.0      | 5.0       | 7.15   | 35                    |                  |                |                     |      |    |
| ELJEA331KF | 330.0      | 4.0       | 9.23   | 30                    |                  |                |                     |      |    |

\*1 : Self Resonant Frequency \*2 : DC Resistance