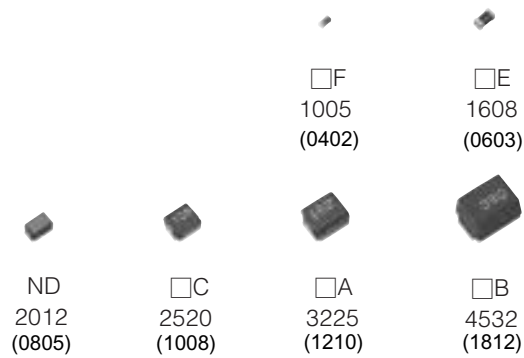


Chip Inductors

Japan

Series: **Chip**
Type: **F, E,
D, C, A, B**



Non wound and wire wound type chip inductors for automatic and high-density mounting

Industrial Property : Patents 6 (pending)

■ Features

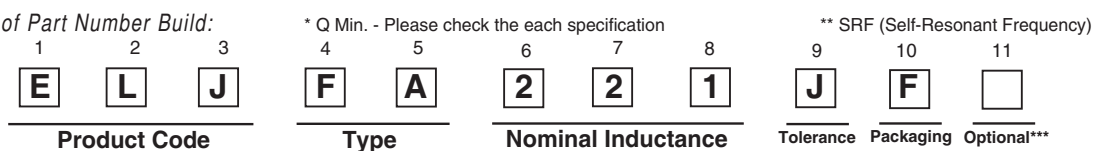
- High Q
- Good for mounting
- Wide availability range (1.0 nH to 1000 μH)
- Stable L -value in any mounting direction(Non winding type)

■ Recommended Applications

- Portable telephones, Wireless Communication equipment (W-LAN, BT), PDA, Camcorder, DSC, Various module, HIC, TV, VTR, PC peripherals.

■ Explanation of Part Numbers

Example of Part Number Build:



| Item | Laser-Cut | | Wire Wound Types | | | |
|----------------------------|---------------------|---------------------|---------------------|---------------------|---------------------|---------------------|
| | F 1005 (0402) | E 1608 (0603) | D 2012 (0805) | C 2520 (1008) | A 3225 (1210) | B 4532 (1812) |
| Types | | | | | | |
| Non Magnetic Core | RF | RE | ND | NC | NA | - |
| NonMagneticCore(HighQ) | QF | - | - | - | - | - |
| General Use | - | - | - | FC | FA | FB |
| Magnetic Shield | - | - | - | - | SA | - |
| High Current | PF | PE | - | PC | PA | PB |
| High Current, very low DCR | - | - | - | - | EA | - |

| Code | Value |
|------|-------------|
| 2N2 | --> 2.2 nH |
| 22N | --> 22 nH |
| R22 | --> 0.22 μH |
| 2R2 | --> 2.2 μH |
| 220 | --> 22 μH |
| 221 | --> 220 μH |
| 102 | --> 1000 μH |

| Code | Value |
|------|----------|
| Z: | ± 0.2 nH |
| D: | ± 0.3 nH |
| E: | ± 0.5 nH |
| G: | ± 2 % |
| A: | ± 3 % |
| J: | ± 5 % |
| K: | ± 10 % |
| M: | ± 20 % |

F Tape & Reel

***Note: Part Number position #11 is an optional factory designation.

Size unit: mm (inch)

■ Inductance, Size Guide

● High Frequency Equipment

| Item | Size | Type | L VALUE | | | | | | | |
|--------------|-------------------|-----------------------------|-------------|------|-----|-----|----|-----|--------------------|--|
| | | | 0.001 | 0.01 | 0.1 | 1.0 | 10 | 100 | (μ H) 1000 | |
| Laser Cut | 1005 (0402) RF | Non Magnetic Core | D,Z J,Z J,G | | | | | | | Tolerance Z : \pm 0.2 nH D : \pm 0.3 nH E : \pm 0.5 nH G : \pm 2 % J : \pm 5 % K : \pm 10 % M : \pm 20 % |
| | 1005 (0402) QF | Non Magnetic Core High-Q | D,Z J,Z J,G | | | | | | | |
| | 1005 (0402) PF | High power | D,J | | | | | | | |
| | 1608 (0603) RE | Non Magnetic Core | D,Z J,Z J,G | | | | | | | |
| | 1608 (0603) PE | High power | K | | | | | | | |

● General Equipment

| Item | Size | Type | L VALUE | | | | | | | |
|-----------------------|-------------------|-------------------|---|-------|-----------|-----|----|-----|--------------------|--|
| | | | 0.001 | 0.01 | 0.1 | 1.0 | 10 | 100 | (μ H) 1000 | |
| Wire wound type | 2012 (0805) ND | Non Magnetic Core | | K J,K | | | | | | |
| | 2520 (1008) NC | Non Magnetic Core | | K J,K | | | | | | |
| | 2520 (1008) FC | General Use | | | K,M J,K | | | | | |
| | 2520 (1008) PC | High power | | | M K | | | | | |
| | 3225 (1210) NA | Non Magnetic Core | | | M K J | | | | | |
| | 3225 (1210) FA | General Use | | | K,M J,K | | | | | |
| | 3225 (1210) SA | Shield | Tolerance D : \pm 0.3 nH E : \pm 0.5 nH G : \pm 2 % A : \pm 3 % J : \pm 5 % K : \pm 10 % M : \pm 20 % | | K | | | | | |
| | 3225 (1210) PA | High power | | | M K | | | | | |
| | 3225 (1210) EA | Low DC resistance | | | M K | | | | | |
| | 4532 (1812) FB | General Use | | | M K,M J,K | | | | | |
| | 4532 (1812) PB | High power | | | K | | | | | |

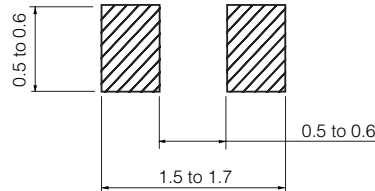
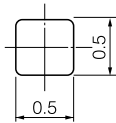
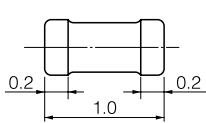
Size : mm (inch)

1. Non Magnetic Core Types RF, RE, ND, NC, NA

■ Type 1005(0402)RF

● Dimensions in mm (not to scale)

● Recommended Land Pattern in mm (not to scale)



■ Standard Packing Quantity

● 10000 pcs./Reel

■ Examples

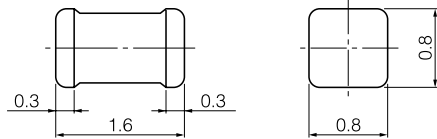
| Part No.*3 | Inductance | | Q min. | L,Q Test Freq. (MHz) | SRF*1 (MHz)min. | DCR*2 (Ω)max. | DC Current (mA)max. |
|---------------|------------|-----------|--------|----------------------|-----------------|---------------|---------------------|
| | (nH) | Tolerance | | | | | |
| ELJRF1N0D/ZF2 | 1.0 | ±0.3 nH | 8 | 100 | 6000 | 0.05 | 400 |
| ELJRF1N2D/ZF2 | 1.2 | | | | 6000 | 0.06 | 400 |
| ELJRF1N5D/ZF2 | 1.5 | | | | 6000 | 0.07 | 400 |
| ELJRF1N8D/ZF2 | 1.8 | | | | 6000 | 0.08 | 400 |
| ELJRF2N2D/ZF2 | 2.2 | | | | 6000 | 0.09 | 400 |
| ELJRF2N7D/ZF2 | 2.7 | | | | 5500 | 0.10 | 400 |
| ELJRF3N3D/ZF2 | 3.3 | | | | 5500 | 0.12 | 400 |
| ELJRF3N9D/ZF2 | 3.9 | | | | 5200 | 0.15 | 360 |
| ELJRF4N7D/ZF2 | 4.7 | | | | 4800 | 0.17 | 360 |
| ELJRF5N6D/ZF2 | 5.6 | | | | 4600 | 0.19 | 340 |
| ELJRF6N8J/ZF2 | 6.8 | ± 5 % | 8 | 100 | 4000 | 0.30 | 320 |
| ELJRF8N2J/ZF2 | 8.2 | | | | 3500 | 0.35 | 320 |
| ELJRF10NJ/GF2 | 10.0 | | | | 2800 | 0.41 | 320 |
| ELJRF12NJ/GF2 | 12.0 | | | | 2800 | 0.45 | 320 |
| ELJRF15NJ/GF2 | 15.0 | | | | 2500 | 0.60 | 240 |
| ELJRF18NJ/GF2 | 18.0 | | | | 2200 | 0.70 | 240 |
| ELJRF22NJ/GF2 | 22.0 | | | | 2000 | 0.80 | 200 |
| ELJRF27NJ/GF2 | 27.0 | | | | 1800 | 1.20 | 200 |
| ELJRF33NJ/GF2 | 33.0 | | | | 1800 | 1.40 | 170 |
| ELJRF39NJ/GF2 | 39.0 | | | | 1800 | 1.70 | 150 |
| ELJRF47NJ/GF2 | 47.0 | 1800 | 2.10 | 140 | | | |
| ELJRF56NJ/GF2 | 56.0 | 1500 | 2.50 | 130 | | | |
| ELJRF68NJ/GF2 | 68.0 | 1500 | 4.00 | 120 | | | |
| ELJRF82NJ/GF2 | 82.0 | 1400 | 4.50 | 110 | | | |
| ELJRF10J/GF2 | 100.0 | 1200 | 5.50 | 90 | | | |
| ELJRF3N6D/ZF2 | 3.6 | ±0.3 nH | 8 | 100 | 5300 | 0.14 | 380 |
| ELJRF4N3D/ZF2 | 4.3 | | | | 5000 | 0.16 | 360 |
| ELJRF5N1D/ZF2 | 5.1 | | | | 4700 | 0.18 | 350 |
| ELJRF6N2D/ZF2 | 6.2 | | | | 4300 | 0.25 | 330 |
| ELJRF7N5J/ZF2 | 7.5 | | | | 3700 | 0.33 | 320 |
| ELJRF9N1J/ZF2 | 9.1 | | | | 3100 | 0.38 | 320 |
| ELJRF11NJ/GF2 | 11.0 | | | | 2800 | 0.43 | 320 |
| ELJRF13NJ/GF2 | 13.0 | | | | 2600 | 0.53 | 280 |
| ELJRF16NJ/GF2 | 16.0 | | | | 2300 | 0.65 | 240 |
| ELJRF20NJ/GF2 | 20.0 | | | | 2100 | 0.75 | 220 |
| ELJRF24NJ/GF2 | 24.0 | 1900 | 1.00 | 200 | | | |
| ELJRF30NJ/GF2 | 30.0 | 1800 | 1.30 | 190 | | | |
| ELJRF36NJ/GF2 | 36.0 | 1800 | 1.60 | 160 | | | |
| ELJRF43NJ/GF2 | 43.0 | 1800 | 1.90 | 150 | | | |

*1 : Self Resonant Frequency *2 : DC Resistance *3 Lead-Free P/Ns have an "FB" suffix, rather than 'F2'

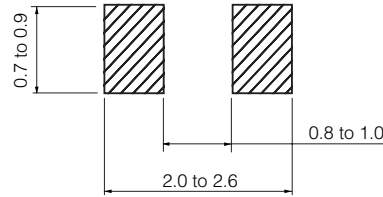
Design and specifications are subject to change without notice. Ask factory for technical specifications before purchase and/or use. Whenever a doubt about safety arises from this product, please contact us immediately for technical consultation.

■ Type 1608(0603)RE

● Dimensions in mm (not to scale)



● Recommended Land Pattern in mm (not to scale)



■ Standard Packing Quantity

● 3000 pcs./Reel

■ Examples

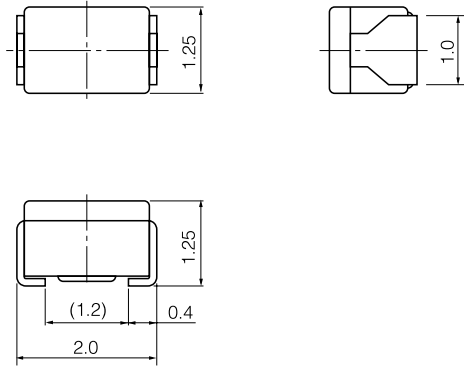
| Part No. *3 | Inductance | | Q min. | L, Q Test Freq. (MHz) | SRF *1 (MHz)min. | DCR *2 (Ω)max. | DC Current (mA)max. | |
|---------------|------------|-----------|---------|-----------------------|------------------|----------------|---------------------|------|
| | (nH) | Tolerance | | | | | | |
| ELJRE1N0D/ZF2 | 1.0 | ±0.3 nH | 7 | 100 | 6000 | 0.05 | 500 | |
| ELJRE1N2D/ZF2 | 1.2 | | | | 6000 | 0.06 | 500 | |
| ELJRE1N5D/ZF2 | 1.5 | | ±0.2 nH | | 8 | 6000 | 0.07 | 500 |
| ELJRE1N8D/ZF2 | 1.8 | | | | | 6000 | 0.08 | 500 |
| ELJRE2N2D/ZF2 | 2.2 | | | | 6000 | 0.09 | 500 | |
| ELJRE2N7D/ZF2 | 2.7 | | | | 6000 | 0.10 | 500 | |
| ELJRE3N3D/ZF2 | 3.3 | ±5 % | 9 | | 5500 | 0.12 | 500 | |
| ELJRE3N9J/ZF2 | 3.9 | | | | 5500 | 0.15 | 450 | |
| ELJRE4N7J/ZF2 | 4.7 | | ±2 % | | 10 | 4800 | 0.17 | 450 |
| ELJRE5N6J/ZF2 | 5.6 | | | | | 4600 | 0.18 | 430 |
| ELJRE6N8J/ZF2 | 6.8 | | | | 3550 | 0.20 | 430 | |
| ELJRE8N2J/ZF2 | 8.2 | | | | 3500 | 0.28 | 400 | |
| ELJRE10NJ/GF2 | 10.0 | ±5 % | 10 | 2800 | 0.32 | 400 | | |
| ELJRE12NJ/GF2 | 12.0 | | | 2800 | 0.35 | 400 | | |
| ELJRE15NJ/GF2 | 15.0 | | ±2 % | 11 | 2500 | 0.41 | 350 | |
| ELJRE18NJ/GF2 | 18.0 | | | | 2300 | 0.45 | 350 | |
| ELJRE22NJ/GF2 | 22.0 | | | 2000 | 0.50 | 300 | | |
| ELJRE27NJ/GF2 | 27.0 | | | 2000 | 0.55 | 300 | | |
| ELJRE33NJ/GF2 | 33.0 | ±5 % | 11 | 1800 | 0.60 | 300 | | |
| ELJRE39NJ/GF2 | 39.0 | | | 1800 | 0.80 | 300 | | |
| ELJRE47NJ/GF2 | 47.0 | | ±2 % | 12 | 1800 | 0.95 | 250 | |
| ELJRE56NJ/GF3 | 56.0 | | | | 1800 | 1.20 | 250 | |
| ELJRE68NJ/GF3 | 68.0 | | | 1500 | 1.30 | 250 | | |
| ELJRE82NJ/GF3 | 82.0 | | | 1500 | 1.50 | 250 | | |
| ELJRER10J/GF3 | 100.0 | ±5 % | 5 | 1300 | 1.80 | 200 | | |
| ELJRER12J/GF3 | 120.0 | | | 1200 | 3.00 | 130 | | |
| ELJRER15J/GF3 | 150.0 | | ±2 % | 25.2 | 1100 | 4.50 | 100 | |
| ELJRER18J/GF3 | 180.0 | | | | 1000 | 6.50 | 80 | |
| ELJRER22J/GF3 | 220.0 | | | 900 | 7.50 | 70 | | |
| ELJRE3N6D/ZF2 | 3.6 | | | ±0.3 nH | 9 | 100 | 5500 | 0.14 |
| ELJRE4N3J/ZF2 | 4.3 | ±0.2 nH | 5100 | 0.16 | | | 450 | |
| ELJRE5N1J/ZF2 | 5.1 | | 4700 | 0.18 | | | 450 | |
| ELJRE6N2J/ZF2 | 6.2 | | 4000 | 0.19 | | | 450 | |
| ELJRE7N5J/ZF2 | 7.5 | | 3500 | 0.24 | | | 430 | |
| ELJRE9N1J/ZF2 | 9.1 | ±5 % | 10 | 3100 | | | 0.30 | 430 |
| ELJRE11NJ/GF2 | 11.0 | | | 2800 | 0.33 | | 400 | |
| ELJRE13NJ/GF2 | 13.0 | | ±2 % | 10 | 2600 | | 0.38 | 400 |
| ELJRE16NJ/GF2 | 16.0 | | | | 2400 | | 0.43 | 400 |
| ELJRE20NJ/GF2 | 20.0 | 2100 | | 0.48 | 350 | | | |
| ELJRE24NJ/GF2 | 24.0 | 2000 | | 0.53 | 300 | | | |
| ELJRE30NJ/GF2 | 30.0 | ±5 % | 10 | 1900 | 0.58 | | 300 | |
| ELJRE36NJ/GF2 | 36.0 | | | 1800 | 0.70 | 300 | | |
| ELJRE43NJ/GF2 | 43.0 | | 1800 | 0.87 | 300 | | | |

*1 : Self Resonant Frequency *2 : DC Resistance *3 Lead-Free P/Ns have an "FA" suffix rather than 'F2' or 'F3'

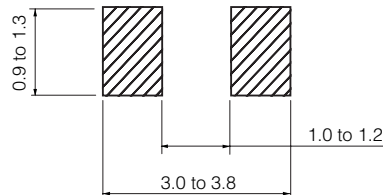
Design and specifications are subject to change without notice. Ask factory for technical specifications before purchase and/or use. Whenever a doubt about safety arises from this product, please contact us immediately for technical consultation.

■ Type 2012(0805)ND

● Dimensions in mm (not to scale)



● Recommended Land Pattern in mm (not to scale)



■ Standard Packing Quantity

- 3000 pcs./Reel

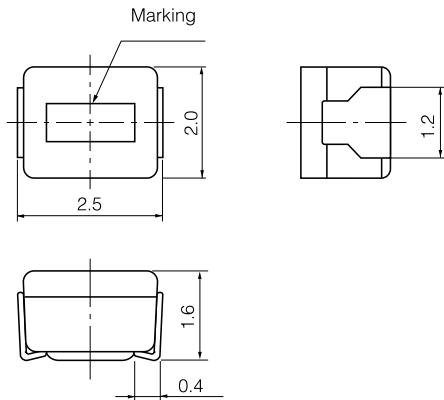
■ Examples

| Part No. | Inductance | | Q min. | L, Q Test Freq. (MHz) | Q Typical (800 MHz) | SRF *1 (MHz)min. | DCR *2 (Ω)max. | DC Current (mA)max. | |
|--------------|------------|-----------------|--------|-----------------------|---------------------|------------------|----------------|---------------------|-----|
| | (nH) | Tolerance | | | | | | | |
| ELJND10NKF | 10 | ± 10 % | 10 | 100 | 72 | 3300 | 0.18 | 540 | |
| ELJND12NKF | 12 | | | | 67 | 3300 | 0.24 | 535 | |
| ELJND15NKF | 15 | | 12 | | 73 | 3000 | 0.24 | 520 | |
| ELJND18NKF | 18 | | | | 74 | 3000 | 0.29 | 480 | |
| ELJND22NKF | 22 | | 15 | | 75 | 2600 | 0.29 | 465 | |
| ELJND27NKF | 27 | | | | 73 | 2500 | 0.34 | 455 | |
| ELJND33NJ/KF | 33 | 80 | | | 2050 | 0.39 | 395 | | |
| ELJND39NJ/KF | 39 | 72 | | | 2000 | 0.41 | 390 | | |
| ELJND47NJ/KF | 47 | 71 | | | 1650 | 0.46 | 385 | | |
| ELJND56NJ/KF | 56 | 63 | | | 1550 | 0.51 | 360 | | |
| ELJND68NJ/KF | 68 | ± 5 % ± 10 % | 8 | | 25.2 | 57 | 1450 | 0.57 | 340 |
| ELJND82NJ/KF | 82 | | | | | 56 | 1100 | 0.63 | 330 |
| ELJNDR10J/KF | 100 | | | 10 | | 51 | 800 | 0.86 | 285 |
| ELJNDR12J/KF | 120 | | | | | 32 | 600 | 0.99 | 275 |
| ELJNDR15J/KF | 150 | | | 10 | | 36 | 600 | 1.47 | 230 |
| ELJNDR18J/KF | 180 | | | | | 34 | 600 | 1.61 | 195 |
| ELJNDR22J/KF | 220 | — | 500 | | | 1.84 | 170 | | |
| ELJNDR27J/KF | 270 | — | 300 | | | 1.95 | 165 | | |
| ELJNDR33J/KF | 330 | — | 200 | | | 2.16 | 160 | | |
| ELJNDR39J/KF | 390 | — | 150 | | | 2.37 | 150 | | |
| ELJNDR47J/KF | 470 | 8 | 7.96 | — | | 150 | 2.56 | 145 | |
| ELJNDR56J/KF | 560 | | | — | | 100 | 2.69 | 140 | |
| ELJNDR68J/KF | 680 | | | — | 100 | 3.02 | 130 | | |
| ELJNDR82J/KF | 820 | | | — | 80 | 3.38 | 125 | | |
| ELJND1R0J/KF | 1000 | | | — | 80 | 3.88 | 120 | | |

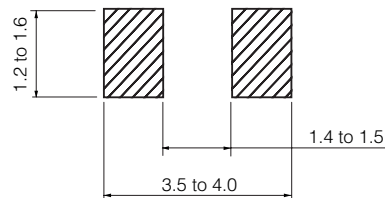
*1 : Self Resonant Frequency *2 : DC Resistance

■ Type 2520(1008)NC

● Dimensions in mm (not to scale)



● Recommended Land Pattern in mm (not to scale)



■ Standard Packing Quantity

- 2000 pcs./Reel

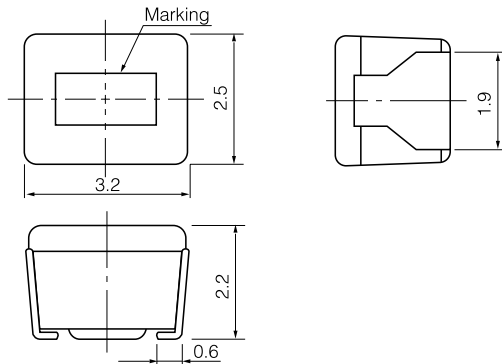
■ Examples

| Part No. | Inductance | | Q min. | L, Q Test Freq. (MHz) | SRF *1 (MHz)min. | DCR *2 (Ω)max. | DC Current (mA)max. |
|--------------|------------|---------------|--------|-----------------------|------------------|----------------|---------------------|
| | (nH) | Tolerance | | | | | |
| ELJNC10NKF | 10 | ±10 % | 10 | 100 | 2500 | 0.32 | 280 |
| ELJNC12NKF | 12 | | | | 2200 | 0.34 | 270 |
| ELJNC15NKF | 15 | | | | 1800 | 0.38 | 255 |
| ELJNC18NKF | 18 | | | | 1550 | 0.40 | 250 |
| ELJNC22NKF | 22 | | | | 1350 | 0.43 | 240 |
| ELJNC27NKF | 27 | | | | 1150 | 0.47 | 230 |
| ELJNC33NK/JF | 33 | ±10 % | 15 | 100 | 1000 | 0.51 | 220 |
| ELJNC39NK/JF | 39 | | | | 890 | 0.55 | 215 |
| ELJNC47NK/JF | 47 | | | | 770 | 0.59 | 205 |
| ELJNC56NK/JF | 56 | | | | 670 | 0.63 | 200 |
| ELJNC68NK/JF | 68 | | | | 590 | 0.68 | 190 |
| ELJNC82NK/JF | 82 | | | | 520 | 0.73 | 185 |
| ELJNCR10K/JF | 100 | ±10 % ±5 % | 10 | 25.2 | 460 | 0.80 | 175 |
| ELJNCR12K/JF | 120 | | | | 400 | 0.87 | 170 |
| ELJNCR15K/JF | 150 | | | | 340 | 0.98 | 160 |
| ELJNCR18K/JF | 180 | | | | 300 | 1.05 | 155 |
| ELJNCR22K/JF | 220 | | | | 260 | 1.15 | 145 |
| ELJNCR27K/JF | 270 | | | | 230 | 1.25 | 140 |
| ELJNCR33K/JF | 330 | | | | 200 | 1.37 | 135 |
| ELJNCR39K/JF | 390 | | | | 180 | 1.47 | 130 |
| ELJNCR47K/JF | 470 | | | | 160 | 1.58 | 125 |
| ELJNCR56K/JF | 560 | | | | 145 | 1.70 | 120 |
| ELJNCR68K/JF | 680 | 130 | 1.85 | 110 | | | |
| ELJNCR82K/JF | 820 | 100 | 2.10 | 100 | | | |

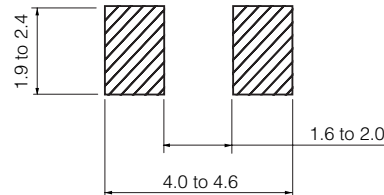
*1 : Self Resonant Frequency *2 : DC Resistance

■ Type 3225(1210)NA

● Dimensions in mm (not to scale)



● Recommended Land Pattern in mm (not to scale)



■ Standard Packing Quantity

- 2000 pcs./Reel

■ Examples

| Part No. | Inductance | | | Q | | SRF *1 (MHz)min. | DCR *2 (Ω)max. | DC Current (mA)max. |
|------------|------------|-------------|-----------|------|-------------|---------------------|-------------------|------------------------|
| | (μH) | Freq. (MHz) | Tolerance | min. | Freq. (MHz) | | | |
| ELJNA47NMF | 0.047 | 100 | ±20 % | 10 | 100 | 680 | 0.20 | 450 |
| ELJNA56NMF | 0.056 | | | | | 600 | 0.22 | 420 |
| ELJNA68NMF | 0.068 | | | | | 540 | 0.25 | 400 |
| ELJNA82NMF | 0.082 | | | | | 500 | 0.27 | 380 |
| ELJNAR10MF | 0.100 | | | | | 450 | 0.30 | 360 |
| ELJNAR12MF | 0.120 | 25.2 | ±10 % | 10 | 25.2 | 400 | 0.67 | 240 |
| ELJNAR15MF | 0.150 | | | | | 350 | 0.72 | 230 |
| ELJNAR18MF | 0.180 | | | | | 320 | 0.81 | 220 |
| ELJNAR22KF | 0.220 | 1.0 | ±10 % | 13 | 7.96 | 280 | 0.90 | 210 |
| ELJNAR27KF | 0.270 | | | | | 250 | 1.00 | 200 |
| ELJNAR33KF | 0.330 | | | | | 220 | 1.10 | 190 |
| ELJNAR39KF | 0.390 | | | | | 200 | 1.20 | 180 |
| ELJNAR47KF | 0.470 | | | | | 180 | 1.40 | 175 |
| ELJNAR56KF | 0.560 | | | | | 160 | 1.50 | 170 |
| ELJNAR68KF | 0.680 | | | | | 150 | 1.70 | 155 |
| ELJNAR82KF | 0.820 | | | | | 135 | 1.90 | 145 |
| ELJNA1R0JF | 1.000 | | | | | 120 | 2.10 | 125 |
| ELJNA1R2JF | 1.200 | | | | | 110 | 2.30 | 120 |
| ELJNA1R5JF | 1.500 | 95 | 2.70 | 115 | | | | |
| ELJNA1R8JF | 1.800 | 85 | 3.00 | 110 | | | | |
| ELJNA2R2JF | 2.200 | 80 | 3.20 | 110 | | | | |
| ELJNA2R7JF | 2.700 | 70 | 3.60 | 105 | | | | |
| ELJNA3R3JF | 3.300 | 62 | 4.20 | 100 | | | | |
| ELJNA3R9JF | 3.900 | 57 | 4.40 | 95 | | | | |
| ELJNA4R7JF | 4.700 | 52 | 7.70 | 70 | | | | |
| ELJNA5R6JF | 5.600 | 46 | 8.70 | 65 | | | | |
| ELJNA6R8JF | 6.800 | 42 | 10.00 | 60 | | | | |
| ELJNA8R2JF | 8.200 | 38 | 11.00 | 60 | | | | |

*1 : Self Resonant Frequency *2 : DC Resistance

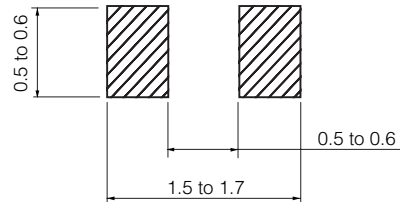
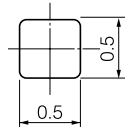
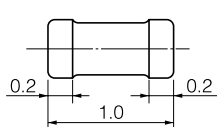
Design and specifications are subject to change without notice. Ask factory for technical specifications before purchase and/or use.
Whenever a doubt about safety arises from this product, please contact us immediately for technical consultation.

2. Type Non Wound (High-Q) QF

■ Type 1005(0402)QF

● Dimensions in mm (not to scale)

● Recommended Land Pattern in mm (not to scale)



■ Standard Packing Quantity

● 10000 pcs./Reel

■ Examples

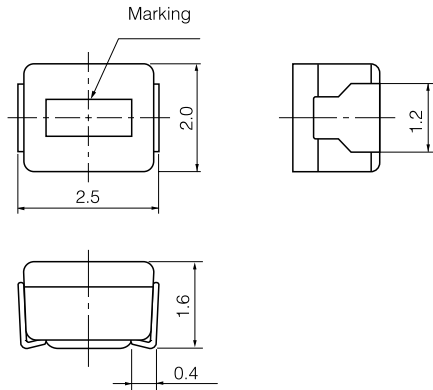
| Part No. | Inductance | | | Q | | SRF *1 (MHz)min. | DCR *2 (Ω)max. | DC Current (mA)max. | | | | | | |
|--------------|------------|-----------|----------------|-----------------|-----------------|---------------------|-------------------|------------------------|------|------|-----|------|------|-----|
| | (μH) | Tolerance | Freq. (MHz) | 100 MHz min. | 800 MHz typ. | | | | | | | | | |
| ELJQF1N0D/ZF | 1.0 | ±0.3 nH | 100 | 10 | 41 | 6000 | 0.05 | 400 | | | | | | |
| ELJQF1N2D/ZF | 1.2 | | | | | 6000 | 0.06 | 400 | | | | | | |
| ELJQF1N5D/ZF | 1.5 | | | | 40 | 6000 | 0.07 | 400 | | | | | | |
| ELJQF1N8D/ZF | 1.8 | | | | | 6000 | 0.08 | 400 | | | | | | |
| ELJQF2N2D/ZF | 2.2 | | | | ±0.2 nH | 100 | 10 | 39 | 6000 | 0.09 | 400 | | | |
| ELJQF2N7D/ZF | 2.7 | | | | | | | | 5500 | 0.10 | 400 | | | |
| ELJQF3N3D/ZF | 3.3 | | | | | | | ±5 % | 100 | 10 | 39 | 5500 | 0.12 | 400 |
| ELJQF3N9D/ZF | 3.9 | | | | | | | | | | | 5200 | 0.15 | 360 |
| ELJQF4N7D/ZF | 4.7 | | | | | | | | | | | 4800 | 0.17 | 360 |
| ELJQF5N6D/ZF | 5.6 | | | | | | | | | | | 4600 | 0.19 | 340 |
| ELJQF6N8J/ZF | 6.8 | ±2 % | 100 | 10 | 38 | 4000 | 0.30 | 320 | | | | | | |
| ELJQF8N2J/ZF | 8.2 | | | | | 3500 | 0.35 | 320 | | | | | | |
| ELJQF10NJ/GF | 10.0 | | | | 36 | 2800 | 0.41 | 320 | | | | | | |
| ELJQF12NJ/GF | 12.0 | | | | | 2800 | 0.45 | 320 | | | | | | |
| ELJQF15NJ/GF | 15.0 | | | | 35 | 2500 | 0.60 | 240 | | | | | | |
| ELJQF18NJ/GF | 18.0 | | | | | 2200 | 0.70 | 240 | | | | | | |
| ELJQF22NJ/GF | 22.0 | | | | | 2200 | 0.80 | 200 | | | | | | |
| ELJQF27NJ/GF | 27.0 | | | | 35 | 1800 | 1.20 | 200 | | | | | | |
| ELJQF33NJ/GF | 33.0 | 1800 | 1.40 | 170 | | | | | | | | | | |
| ELJQF39NJ/GF | 39.0 | 1800 | 1.70 | 150 | | | | | | | | | | |

*1 : Self Resonant Frequency *2 : DC Resistance

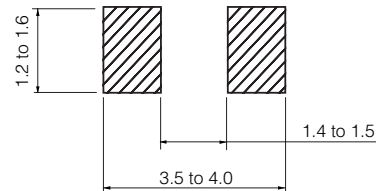
3. Normal Types FC, FA, FB

■ Type 2520(1008)FC

● Dimensions in mm (not to scale)



● Recommended Land Pattern in mm (not to scale)



■ Standard Packing Quantity

● 2000 pcs./Reel

■ Examples

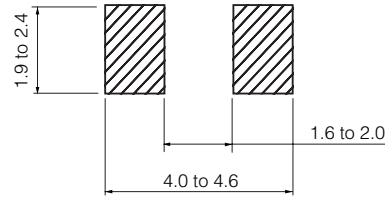
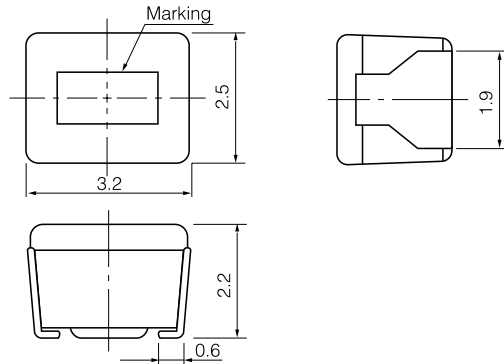
| Part No. | Inductance | | Q min. | L, Q Test Freq. (MHz) | SRF *1 (MHz)min. | DCR *2 (Ω)max. | DC Current (mA)max. |
|--------------|------------|----------------|--------|-----------------------|------------------|----------------|---------------------|
| | (μH) | Tolerance | | | | | |
| ELJFCR22M/KF | 0.22 | ±20 % ±10 % | 25 | 25.2 | 230 | 0.70 | 190 |
| ELJFCR27M/KF | 0.27 | | | | 210 | 0.75 | 180 |
| ELJFCR33M/KF | 0.33 | | | | 190 | 0.85 | 170 |
| ELJFCR39M/KF | 0.39 | | | | 175 | 0.95 | 160 |
| ELJFCR47M/KF | 0.47 | | | | 160 | 1.00 | 155 |
| ELJFCR56M/KF | 0.56 | | | | 150 | 1.10 | 150 |
| ELJFCR68M/KF | 0.68 | | | | 135 | 1.25 | 140 |
| ELJFCR82M/KF | 0.82 | | | | 125 | 1.40 | 130 |
| ELJFC1R0K/JF | 1.00 | ±10 % ± 5 % | | 7.96 | 115 | 0.65 | 195 |
| ELJFC1R2K/JF | 1.20 | | | | 100 | 0.75 | 180 |
| ELJFC1R5K/JF | 1.50 | | | | 90 | 0.85 | 170 |
| ELJFC1R8K/JF | 1.80 | | | | 85 | 0.95 | 160 |
| ELJFC2R2K/JF | 2.20 | | | | 80 | 1.05 | 155 |
| ELJFC2R7K/JF | 2.70 | | | | 75 | 1.20 | 145 |
| ELJFC3R3K/JF | 3.30 | | | | 65 | 1.30 | 135 |
| ELJFC3R9K/JF | 3.90 | | | | 60 | 1.40 | 130 |
| ELJFC4R7K/JF | 4.70 | | 55 | | 1.55 | 125 | |
| ELJFC5R6K/JF | 5.60 | | 50 | | 1.75 | 120 | |
| ELJFC6R8K/JF | 6.80 | | 45 | | 1.95 | 115 | |
| ELJFC8R2K/JF | 8.20 | | 40 | | 2.20 | 105 | |
| ELJFC100K/JF | 10.00 | | 32 | | 3.50 | 80 | |
| ELJFC120K/JF | 12.00 | | 30 | | 3.80 | 75 | |
| ELJFC150K/JF | 15.00 | 28 | 4.40 | 70 | | | |
| ELJFC180K/JF | 18.00 | 25 | 5.00 | 65 | | | |
| ELJFC220K/JF | 22.00 | 22 | 5.80 | 60 | | | |
| ELJFC270K/JF | 27.00 | 21 | 6.30 | 115 | | | |
| ELJFC330K/JF | 33.00 | 20 | 7.10 | 110 | | | |
| ELJFC390K/JF | 39.00 | 18 | 9.50 | 90 | | | |
| ELJFC470K/JF | 47.00 | 17 | 11.00 | 80 | | | |
| ELJFC560K/JF | 56.00 | 16 | 12.10 | 75 | | | |
| ELJFC680K/JF | 68.00 | 15 | 16.60 | 70 | | | |
| ELJFC820K/JF | 82.00 | 13 | 19.00 | 65 | | | |
| ELJFC101K/JF | 100.00 | 15 | 0.796 | 12 | 21.00 | 60 | |

*1 : Self Resonant Frequency *2 : DC Resistance

■ Type 3225(1210)FA

● Dimensions in mm (not to scale)

● Recommended Land Pattern in mm (not to scale)



■ Standard Packing Quantity

● 2000 pcs./Reel

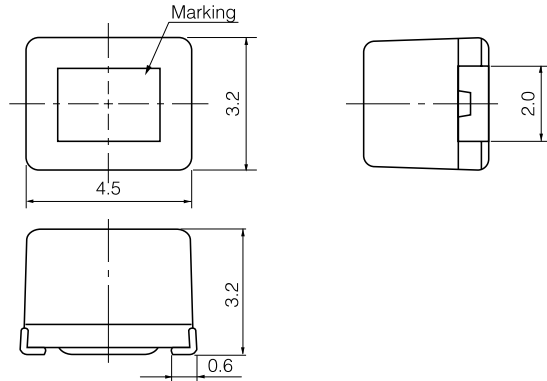
■ Examples

| Part No. | Inductance | | Q min. | L, Q Test Freq. (MHz) | SRF *1 (MHz)min. | DCR *2 (Ω)max. | DC Current (mA)max. |
|---------------|------------|----------------|--------|-----------------------|------------------|----------------|---------------------|
| | (μH) | Tolerance | | | | | |
| ELJFAR22M/KF2 | 0.22 | ±20 % ±10 % | 25 | 25.2 | 230 | 0.29 | 360 |
| ELJFAR27M/KF2 | 0.27 | | | | 210 | 0.32 | 345 |
| ELJFAR33M/KF2 | 0.33 | | | | 190 | 0.35 | 330 |
| ELJFAR39M/KF2 | 0.39 | | | | 175 | 0.39 | 305 |
| ELJFAR47M/KF2 | 0.47 | | | | 160 | 0.44 | 290 |
| ELJFAR56M/KF2 | 0.56 | | | | 150 | 0.49 | 275 |
| ELJFAR68M/KF2 | 0.68 | | | | 135 | 0.55 | 260 |
| ELJFAR82M/KF2 | 0.82 | | | | 125 | 0.61 | 245 |
| ELJFA1R0K/JF2 | 1.00 | | | | ±10 % ±5 % | 30 | 7.96 |
| ELJFA1R2K/JF2 | 1.20 | 100 | 0.75 | 215 | | | |
| ELJFA1R5K/JF | 1.50 | 90 | 0.75 | 210 | | | |
| ELJFA1R8K/JF | 1.80 | 85 | 0.82 | 200 | | | |
| ELJFA2R2K/JF | 2.20 | 80 | 0.95 | 190 | | | |
| ELJFA2R7K/JF | 2.70 | 75 | 1.10 | 180 | | | |
| ELJFA3R3K/JF | 3.30 | 65 | 1.20 | 180 | | | |
| ELJFA3R9K/JF | 3.90 | 60 | 1.30 | 175 | | | |
| ELJFA4R7K/JF | 4.70 | 55 | 1.50 | 165 | | | |
| ELJFA5R6K/JF | 5.60 | 50 | 1.60 | 160 | | | |
| ELJFA6R8K/JF | 6.80 | 45 | 1.80 | 150 | | | |
| ELJFA8R2K/JF | 8.20 | 40 | 2.00 | 140 | | | |
| ELJFA100K/JF | 10.00 | 36 | 2.10 | 140 | | | |
| ELJFA120K/JF | 12.00 | 33 | 2.50 | 125 | | | |
| ELJFA150K/JF | 15.00 | 30 | 2.80 | 120 | | | |
| ELJFA180K/JF | 18.00 | 27 | 3.30 | 110 | | | |
| ELJFA220K/JF | 22.00 | 25 | 3.70 | 105 | | | |
| ELJFA270K/JF | 27.00 | 22 | 5.00 | 90 | | | |
| ELJFA330K/JF | 33.00 | 20 | 5.60 | 85 | | | |
| ELJFA390K/JF | 39.00 | 20 | 6.40 | 80 | | | |
| ELJFA470K/JF | 47.00 | 15 | 7.00 | 75 | | | |
| ELJFA560K/JF | 56.00 | 15 | 8.00 | 70 | | | |
| ELJFA680K/JF | 68.00 | 15 | 9.00 | 65 | | | |
| ELJFA820K/JF | 82.00 | 11 | 10.00 | 60 | | | |
| ELJFA101K/JF | 100.00 | 10 | 10.00 | 60 | | | |
| ELJFA121K/JF | 120.00 | 10 | 11.00 | 55 | | | |
| ELJFA151K/JF | 150.00 | 8 | 15.00 | 50 | | | |
| ELJFA181K/JF | 180.00 | 7 | 17.00 | 50 | | | |
| ELJFA221K/JF | 220.00 | 7 | 21.00 | 45 | | | |

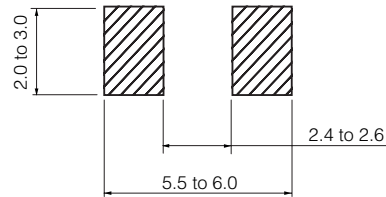
*1 : Self Resonant Frequency *2 : DC Resistance

■ Type 4532(1812)FB

● Dimensions in mm (not to scale)



● Recommended Land Pattern in mm (not to scale)



■ Standard Packing Quantity

● 500 pcs./Reel

■ Examples

| Part No. | Inductance | | | Q | | SRF *1 (MHz)min. | DCR *2 (Ω)max. | DC Current (mA)max. | | | | |
|--------------|------------|-------------|-----------|-------|-------------|---------------------|-------------------|------------------------|------|------|------|-----|
| | (μH) | Freq. (MHz) | Tolerance | min. | Freq. (MHz) | | | | | | | |
| ELJFBR22MF | 0.22 | 1.0 | ±20 % | 30 | 25.2 | 230.0 | 0.30 | 700 | | | | |
| ELJFBR27MF | 0.27 | | | | | 200.0 | 0.32 | 650 | | | | |
| ELJFBR33MF | 0.33 | | | | | 180.0 | 0.35 | 630 | | | | |
| ELJFBR39MF | 0.39 | | | | | 155.0 | 0.37 | 620 | | | | |
| ELJFBR47MF | 0.47 | | | | | 135.0 | 0.40 | 580 | | | | |
| ELJFBR56MF | 0.56 | | | | | 120.0 | 0.42 | 560 | | | | |
| ELJFBR68MF | 0.68 | | 105.0 | 0.48 | 530 | | | | | | | |
| ELJFBR82MF | 0.82 | | 90.0 | 0.50 | 500 | | | | | | | |
| ELJFB1R0M/KF | 1.00 | | ±20 % | 50 | 5 | 80.0 | 0.52 | 470 | | | | |
| ELJFB1R2M/KF | 1.20 | | | | | 70.0 | 0.55 | 460 | | | | |
| ELJFB1R5M/KF | 1.50 | | | | | 60.0 | 0.61 | 430 | | | | |
| ELJFB1R8M/KF | 1.80 | | | | | 50.0 | 0.61 | 410 | | | | |
| ELJFB2R2M/KF | 2.20 | | | | | 45.0 | 0.61 | 410 | | | | |
| ELJFB2R7M/KF | 2.70 | | | | | 43.0 | 0.61 | 400 | | | | |
| ELJFB3R3M/KF | 3.30 | | | ±10 % | 40 | 7.96 | 39.0 | 0.66 | 380 | | | |
| ELJFB3R9M/KF | 3.90 | | | | | | 36.0 | 0.74 | 360 | | | |
| ELJFB4R7M/KF | 4.70 | | | | | | ±10 % | 30 | 2.52 | 33.0 | 0.81 | 350 |
| ELJFB5R6M/KF | 5.60 | | | | | | | | | 30.0 | 0.88 | 330 |
| ELJFB6R8M/KF | 6.80 | 26.0 | | | | | | | | 1.00 | 310 | |
| ELJFB8R2M/KF | 8.20 | 24.0 | | | | | | | | 1.60 | 250 | |
| ELJFB100K/JF | 10.00 | ±5 % | 40 | 1.5 | 22.0 | 1.80 | | | | 235 | | |
| ELJFB120K/JF | 12.00 | | | | 20.0 | 1.90 | | | | 225 | | |
| ELJFB150K/JF | 15.00 | | | | 18.0 | 2.10 | 215 | | | | | |
| ELJFB180K/JF | 18.00 | | | | 16.0 | 2.30 | 205 | | | | | |
| ELJFB220K/JF | 22.00 | | | | 15.0 | 2.60 | 195 | | | | | |
| ELJFB270K/JF | 27.00 | | | | 13.0 | 2.90 | 185 | | | | | |
| ELJFB330K/JF | 33.00 | ±10 % | 30 | 0.796 | 12.0 | 3.10 | 175 | | | | | |
| ELJFB390K/JF | 39.00 | | | | 10.0 | 3.60 | 165 | | | | | |
| ELJFB470K/JF | 47.00 | | | | 9.7 | 4.20 | 130 | | | | | |
| ELJFB560K/JF | 56.00 | | | | 9.0 | 4.70 | 125 | | | | | |
| ELJFB680K/JF | 68.00 | | | | 8.2 | 5.30 | 115 | | | | | |
| ELJFB820K/JF | 82.00 | | | | 7.5 | 5.90 | 110 | | | | | |
| ELJFB101K/JF | 100.00 | ±5 % | 30 | 0.796 | 6.7 | 8.80 | 105 | | | | | |
| ELJFB121K/JF | 120.00 | | | | 6.1 | 10.00 | 100 | | | | | |
| ELJFB151K/JF | 150.00 | | | | 5.5 | 11.00 | 95 | | | | | |
| ELJFB181K/JF | 180.00 | | | | 5.1 | 13.00 | 85 | | | | | |
| ELJFB221K/JF | 220.00 | | | | 4.5 | 13.00 | 85 | | | | | |
| ELJFB271K/JF | 270.00 | | | | 4.1 | 14.00 | 80 | | | | | |
| ELJFB331K/JF | 330.00 | ±5 % | 30 | 0.796 | 3.7 | 16.00 | 75 | | | | | |
| ELJFB391K/JF | 390.00 | | | | 3.3 | 19.00 | 70 | | | | | |
| ELJFB471K/JF | 470.00 | | | | 3.3 | 31.00 | 55 | | | | | |
| ELJFB561K/JF | 560.00 | | | | 2.7 | 35.00 | 50 | | | | | |
| ELJFB681K/JF | 680.00 | | | | 2.5 | 39.00 | 50 | | | | | |
| ELJFB821K/JF | 820.00 | | | | 2.4 | 45.00 | 45 | | | | | |
| ELJFB102K/JF | 1000.00 | 2.1 | 53.00 | 40 | | | | | | | | |

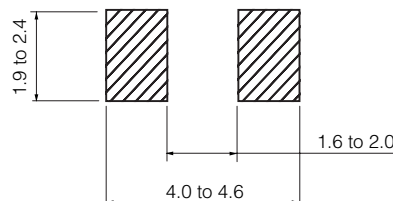
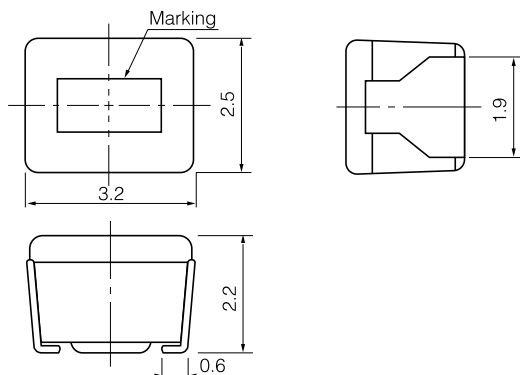
*1 : Self Resonant Frequency *2 : DC Resistance

4. Magnetic Shielded Type SA

■ Type 3225(1210)SA

● Dimensions in mm (not to scale)

● Recommended Land Pattern in mm (not to scale)



■ Standard Packing Quantity

● 2000 pcs./1 reel

■ Examples

| Part No. | Inductance | | | Q | | SRF *1 (MHz)min. | DCR *2 (Ω)max. | DC Current (mA)max. |
|------------|------------|-------------|-----------|------|-------------|---------------------|-------------------|------------------------|
| | (μH) | Freq. (MHz) | Tolerance | min. | Freq. (MHz) | | | |
| ELJSA100KF | 10 | 1.0 | ±10 % | 40 | 5.0 | 30 | 1.8 | 18 |
| ELJSA120KF | 12 | | | | | 28 | 2.0 | 17 |
| ELJSA150KF | 15 | | | | | 25 | 2.2 | 15 |
| ELJSA180KF | 18 | | | | | 23 | 2.5 | 13 |
| ELJSA220KF | 22 | | | | | 20 | 2.8 | 12 |
| ELJSA270KF | 27 | | | | | 18 | 3.2 | 10 |
| ELJSA330KF | 33 | | | | | 17 | 3.5 | 10 |
| ELJSA390KF | 39 | | | | | 15 | 3.8 | 9 |
| ELJSA470KF | 47 | | | | | 14 | 4.0 | 8 |
| ELJSA560KF | 56 | | | | | 13 | 4.5 | 7 |
| ELJSA680KF | 68 | | | | | 12 | 5.0 | 6 |
| ELJSA820KF | 82 | | | | | 11 | 6.0 | 6 |
| ELJSA101KF | 100 | | | | | 10 | 7.0 | 5 |
| ELJSA121KF | 120 | 0.1 | | | 1.5 | 9 | 8.0 | 5 |
| ELJSA151KF | 150 | | | | | 5 | 9.0 | 5 |
| ELJSA181KF | 180 | | | | | 5 | 11.0 | 5 |
| ELJSA221KF | 220 | | | | | 4 | 12.0 | 5 |
| ELJSA271KF | 270 | | | | | 4 | 14.0 | 5 |

*1 : Self Resonant Frequency *2 : DC Resistance

5. High Power Types PF, PE, PC, PA, PB

■ Type 1005(0402)PF

● Dimensions in mm (not to scale)

● Recommended Land Pattern in mm (not to scale)



■ Standard Packing Quantity

● 10000 pcs./Reel

■ Examples

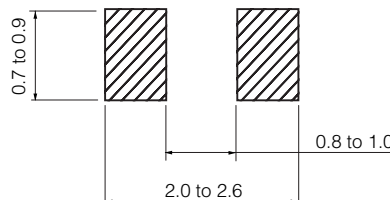
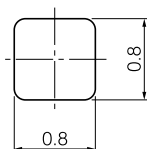
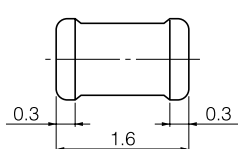
| Part No.*3 | Inductance | | Q min. | L, Q Test Freq. (MHz) | SRF*1 (MHz)min. | DCR*2 (Ω)max. | DC Current (mA)max. |
|------------|------------|-----------|--------|-----------------------|-----------------|---------------|---------------------|
| | (nH) | Tolerance | | | | | |
| ELJPF2N2DF | 2.2 | ± 0.3 nH | 7 | 100 | 5300 | 0.04 | 1900 |
| ELJPF2N7DF | 2.7 | | | | | | |
| ELJPF3N3DF | 3.3 | | | | | | |
| ELJPF3N9DF | 3.9 | | | | | | |
| ELJPF4N7DF | 4.7 | | | | | | |
| ELJPF5N6DF | 5.6 | | | | | | |
| ELJPF6N8JF | 6.8 | ± 5 % | | | 4000 | 0.16 | 1100 |
| ELJPF8N2JF | 8.2 | | | | | | |
| ELJPF10NJF | 10.0 | | | | | | |
| | | | | | | | |

*1 : Self Resonant Frequency *2 : DC Resistance *3 Lead-Free P/Ns have an "FB" suffix, rather than 'F'

■ Type 1608(0603)PE

● Dimensions in mm (not to scale)

● Recommended Land Pattern in mm (not to scale)



■ Standard Packing Quantity

● 3000 pcs./Reel

■ Examples

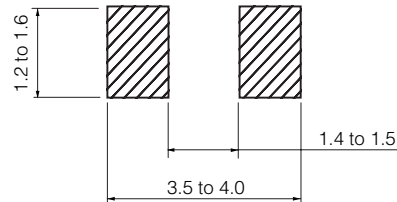
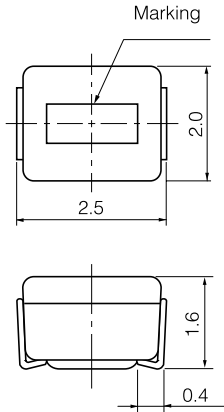
| Part No.*3 | Inductance | | Q min. | L, Q Test Freq. (MHz) | SRF *1 (MHz) min. | DCR *2 (Ω)max. | DC Current (mA)max. |
|------------|------------|-----------|--------|-----------------------|-------------------|----------------|---------------------|
| | (nH) | Tolerance | | | | | |
| ELJPE2N2KF | 2.2 | ± 10 % | 8 | 100 | 6000 | 0.030 | 2100 |
| ELJPE2N7KF | 2.7 | | | | 5500 | 0.030 | 2100 |
| ELJPE3N3KF | 3.3 | | | | 5500 | 0.040 | 2100 |
| ELJPE3N9KF | 3.9 | | 5200 | | 0.040 | 2100 | |
| ELJPE4N7KF | 4.7 | | 4800 | | 0.050 | 2100 | |
| ELJPE5N6KF | 5.6 | | 4600 | | 0.055 | 2100 | |
| ELJPE6N8KF | 6.8 | | 4000 | | 0.055 | 1900 | |
| ELJPE8N2KF | 8.2 | | 3500 | | 0.060 | 1700 | |
| ELJPE10NKF | 10.0 | | 2800 | | 0.065 | 1400 | |
| ELJPE12NKF | 12.0 | | 2500 | | 0.080 | 1300 | |
| ELJPE15NKF | 15.0 | | 2200 | | 0.100 | 900 | |
| ELJPE18NKF | 18.0 | | 2000 | | 0.120 | 800 | |
| ELJPE22NKF | 22.0 | | 1800 | | 0.150 | 700 | |

*1 : Self Resonant Frequency *2 : DC Resistance *3 Lead-Free P/Ns have an "FA" suffix, rather than 'F'

■ Type 2520(1008)PC

● Dimensions in mm (not to scale)

● Recommended Land Pattern in mm (not to scale)



■ Standard Packing Quantity

● 2000 pcs./Reel

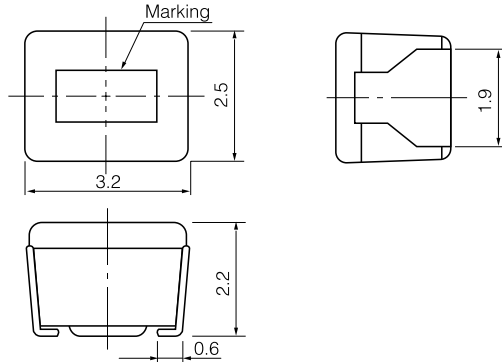
■ Examples

| Part No. | Inductance | | Q min. | L, Q Test Freq. (MHz) | SRF *1 (MHz)min. | DCR *2 (Ω)max. | DC Current (mA)max. |
|------------|------------|-----------|--------|-----------------------|------------------|----------------|---------------------|
| | (μH) | Tolerance | | | | | |
| ELJPC1R0MF | 1.0 | ±20 % | 10 | 7.96 | 95 | 0.45 | 475 |
| ELJPC1R5MF | 1.5 | | | | 85 | 0.55 | 435 |
| ELJPC2R2MF | 2.2 | | | | 65 | 0.65 | 390 |
| ELJPC3R3MF | 3.3 | | | | 55 | 0.85 | 340 |
| ELJPC4R7MF | 4.7 | | | | 8 | 43 | 1.20 |
| ELJPC6R8KF | 6.8 | ±10 % | 8.5 | 2.52 | 44 | 1.30 | 170 |
| ELJPC100KF | 10.0 | | 20 | | 32 | 2.20 | 210 |
| ELJPC120KF | 12.0 | | | | 25 | 2.70 | 195 |
| ELJPC150KF | 15.0 | | | | 21 | 3.20 | 175 |
| ELJPC220KF | 22.0 | | | | 18 | 4.00 | 160 |
| ELJPC330KF | 33.0 | | | | 16 | 6.50 | 120 |

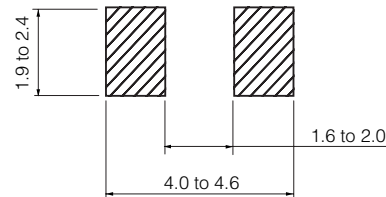
*1 : Self Resonant Frequency *2 : DC Resistance

■ Type 3225(1210)PA

● Dimensions in mm (not to scale)



● Recommended Land Pattern in mm (not to scale)



■ Standard Packing Quantity

- 2000 pcs./Reel

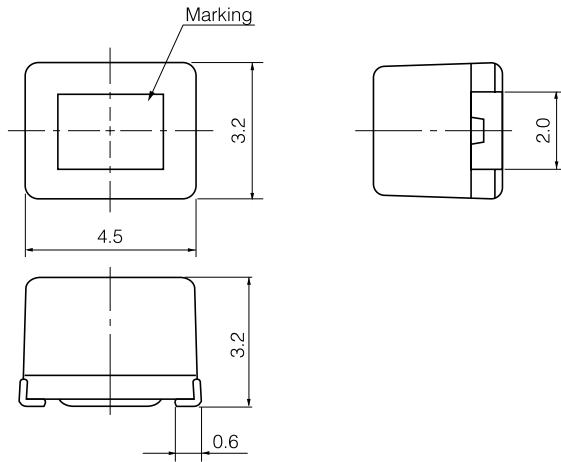
■ Examples

| Part No. | Inductance | | Q min. | L, Q Test Freq. (MHz) | SRF *1 (MHz)min. | DCR *2 (Ω)max. | DC Current (mA)max. | | |
|------------|------------|-----------|--------|-----------------------|------------------|----------------|---------------------|------|----|
| | (μH) | Tolerance | | | | | | | |
| ELJPA1R0MF | 1.0 | ±20 % | 7 | 7.96 | 150.0 | 0.15 | 600 | | |
| ELJPA1R5MF | 1.5 | | | | 110.0 | 0.18 | 550 | | |
| ELJPA2R2MF | 2.2 | | | | 80.0 | 0.23 | 500 | | |
| ELJPA3R3MF | 3.3 | | | | 58.0 | 0.28 | 400 | | |
| ELJPA4R7MF | 4.7 | | | | 46.0 | 0.34 | 350 | | |
| ELJPA6R8MF | 6.8 | | | | 38.0 | 0.42 | 300 | | |
| ELJPA100KF | 10.0 | ±10 % | 15 | 2.52 | 23.0 | 0.50 | 240 | | |
| ELJPA120KF | 12.0 | | | | 21.0 | 0.60 | 230 | | |
| ELJPA150KF | 15.0 | | | | 18.0 | 0.74 | 220 | | |
| ELJPA180KF | 18.0 | | | | 17.0 | 0.90 | 205 | | |
| ELJPA220KF | 22.0 | | | | 15.0 | 1.15 | 185 | | |
| ELJPA270KF | 27.0 | | | | 13.0 | 1.45 | 165 | | |
| ELJPA330KF | 33.0 | | | | 12.0 | 1.65 | 155 | | |
| ELJPA390KF | 39.0 | | | | 11.0 | 1.90 | 145 | | |
| ELJPA470KF | 47.0 | | | | 9.5 | 2.25 | 135 | | |
| ELJPA560KF | 56.0 | | | | 8.5 | 3.30 | 110 | | |
| ELJPA680KF | 68.0 | | | | 7.5 | 3.70 | 105 | | |
| ELJPA820KF | 82.0 | | | | 7.0 | 4.20 | 100 | | |
| ELJPA101KF | 100.0 | | | | 20 | 0.796 | 6.5 | 5.00 | 90 |
| ELJPA121KF | 120.0 | | | | | | 6.0 | 7.00 | 75 |
| ELJPA151KF | 150.0 | 5.5 | 8.00 | 70 | | | | | |
| ELJPA181KF | 180.0 | 5.0 | 9.50 | 65 | | | | | |
| ELJPA221KF | 220.0 | 4.0 | 11.00 | 60 | | | | | |
| ELJPA271KF | 270.0 | 3.5 | 14.50 | 55 | | | | | |
| ELJPA331KF | 330.0 | 3.0 | 16.00 | 50 | | | | | |

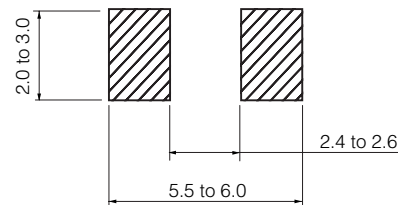
*1 : Self Resonant Frequency *2 : DC Resistance

■ Type 4532(1812)PB

● Dimensions in mm (not to scale)



● Recommended Land Pattern in mm (not to scale)



■ Standard Packing Quantity

- 500 pcs./Reel

■ Examples

| Part No. | Inductance | | Q min. | L, Q Test Freq. (MHz) | SRF *1 (MHz)min. | DCR *2 (Ω)max. | DC Current (mA)max. | | |
|------------|------------|-----------|--------|-----------------------|------------------|----------------|---------------------|------|-----|
| | (μH) | Tolerance | | | | | | | |
| ELJPB100KF | 10 | ±10 % | 10 | 2.52 | 19.0 | 0.65 | 360 | | |
| ELJPB120KF | 12 | | | | 17.0 | 0.70 | 340 | | |
| ELJPB150KF | 15 | | | | 15.0 | 0.80 | 320 | | |
| ELJPB180KF | 18 | | | | 14.0 | 0.90 | 310 | | |
| ELJPB220KF | 22 | | | | 13.0 | 1.00 | 300 | | |
| ELJPB270KF | 27 | | | | 11.0 | 1.20 | 270 | | |
| ELJPB330KF | 33 | | | | 10.0 | 1.40 | 250 | | |
| ELJPB390KF | 39 | | | | 9.5 | 1.60 | 230 | | |
| ELJPB470KF | 47 | | | | 8.5 | 1.90 | 210 | | |
| ELJPB560KF | 56 | | | | 8.0 | 2.20 | 190 | | |
| ELJPB680KF | 68 | | | | 7.0 | 2.60 | 170 | | |
| ELJPB820KF | 82 | | | | 6.5 | 3.50 | 160 | | |
| ELJPB101KF | 100 | | | | 20 | 0.796 | 6.0 | 4.00 | 150 |
| ELJPB121KF | 120 | | | | | | 5.5 | 4.50 | 130 |
| ELJPB151KF | 150 | 5.0 | 6.50 | 120 | | | | | |
| ELJPB181KF | 180 | 4.5 | 7.50 | 110 | | | | | |
| ELJPB221KF | 220 | 4.0 | 9.00 | 90 | | | | | |

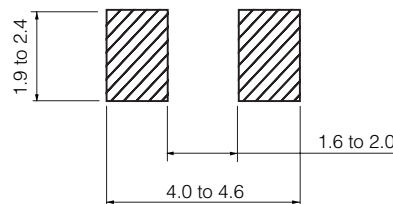
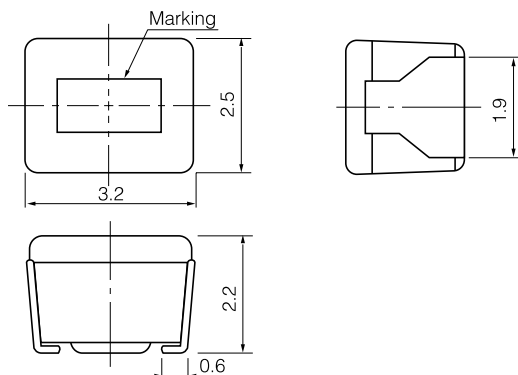
*1 : Self Resonant Frequency *2 : DC Resistance

6. Low DC resistance Type EA

■ Type 3225(1210)EA

● Dimensions in mm (not to scale)

● Recommended Land Pattern in mm (not to scale)



■ Standard Packing Quantity

● 2000 pcs./Reel

■ Examples

| Part No. | Inductance | | Q min. | L, Q Test Freq. (MHz) | SRF *1 (MHz)min. | DCR *2 (Ω)max. | DC Current (mA)max. |
|------------|------------|-----------|--------|-----------------------|------------------|----------------|---------------------|
| | (μH) | Tolerance | | | | | |
| ELJEA1R0MF | 1.0 | ±20 % | 7 | 7.96 | 100.0 | 0.09 | 500 |
| ELJEA1R5MF | 1.5 | | | | 80.0 | 0.10 | 390 |
| ELJEA2R2MF | 2.2 | | | | 65.0 | 0.13 | 350 |
| ELJEA3R3MF | 3.3 | | | | 50.0 | 0.16 | 270 |
| ELJEA4R7MF | 4.7 | | | | 46.0 | 0.18 | 240 |
| ELJEA6R8MF | 6.8 | | | | 36.0 | 0.25 | 200 |
| ELJEA100KF | 10.0 | ±10 % | 10 | 2.52 | 29.0 | 0.34 | 160 |
| ELJEA150KF | 15.0 | | | | 25.0 | 0.42 | 145 |
| ELJEA220KF | 22.0 | | | | 18.0 | 0.65 | 115 |
| ELJEA330KF | 33.0 | | | | 16.0 | 0.91 | 95 |
| ELJEA470KF | 47.0 | | 13.0 | 1.30 | 80 | | |
| ELJEA680KF | 68.0 | | 10.0 | 1.95 | 60 | | |
| ELJEA101KF | 100.0 | | 20 | 0.796 | 8.0 | 3.12 | 50 |
| ELJEA151KF | 150.0 | | | | 7.0 | 4.03 | 45 |
| ELJEA221KF | 220.0 | 5.0 | | | 7.15 | 35 | |
| ELJEA331KF | 330.0 | 4.0 | | | 9.23 | 30 | |

*1 : Self Resonant Frequency *2 : DC Resistance