

### 1VL Detector Switches

Type: **ESE13**



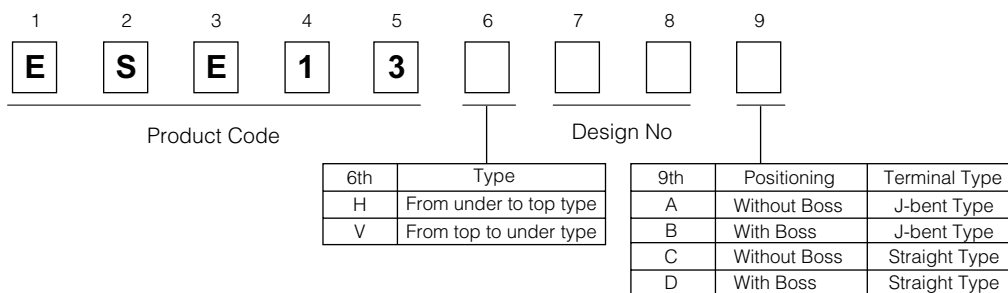
#### ■ Features

- Thin type : Height=1.2 mm
- Highly reliable contact
- SMD type (Embossed taping, Reflow soldering)

#### ■ Recommended Applications

- Detection of media in portable electronic equipment (Mobile phones / Digital still cameras / Camcorders)

#### ■ Explanation of Part Numbers

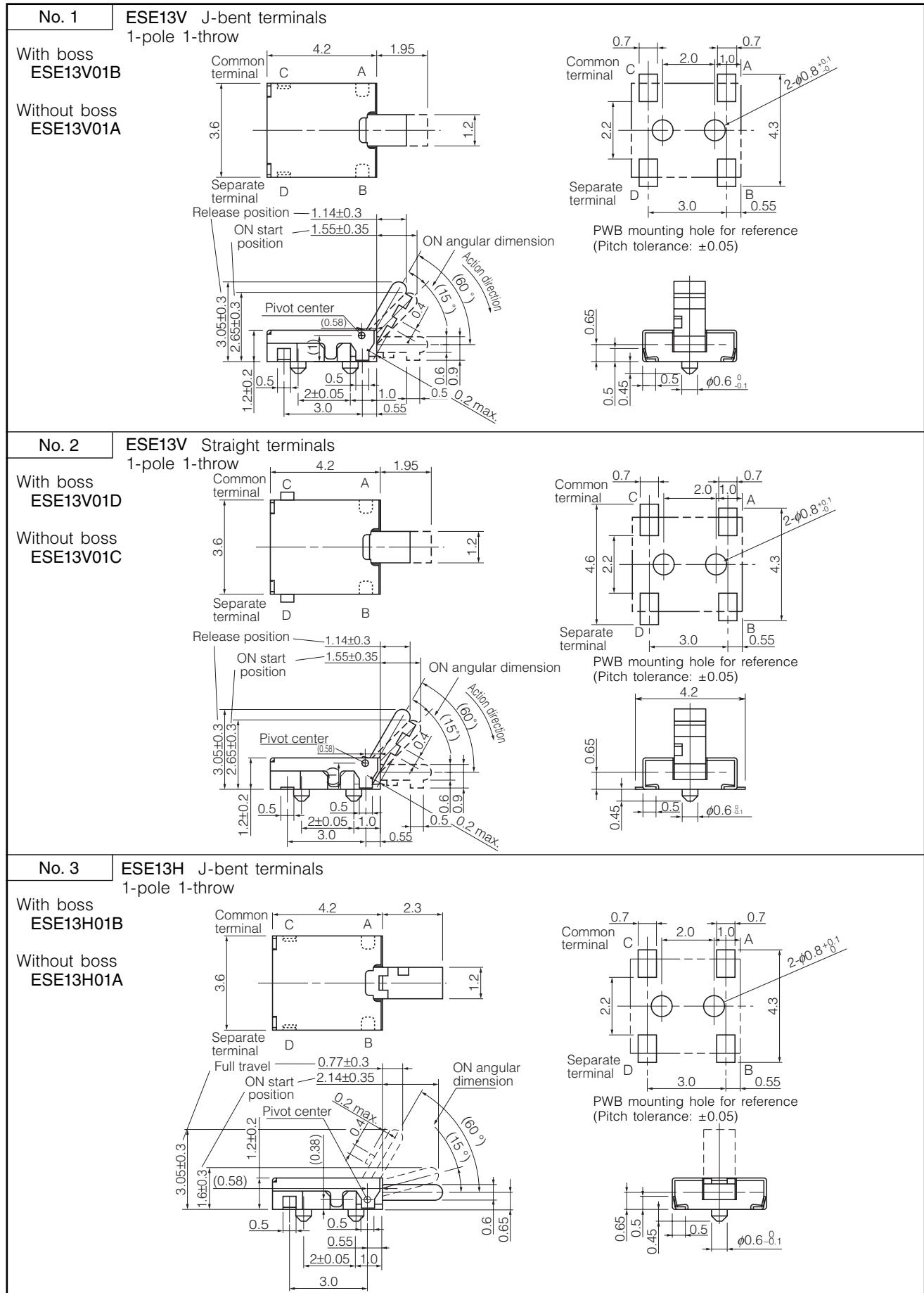


#### ■ Specifications

|                                 |  |                                       |
|---------------------------------|--|---------------------------------------|
| Rating                          | 50 $\mu$ A 3 Vdc to 10 mA 5 Vdc (Resistive load)         |                                       |
| Contact Resistance              | 500 m $\Omega$ max. (Initial)                            |                                       |
| Insulation Resistance           | 100 M $\Omega$ min. (100 Vdc)                            |                                       |
| Dielectric Withstanding Voltage | 100 Vac for 1 minute                                     |                                       |
| Operating Force                 | 300 mN max.  |                                       |
| Mounting Height                 | 1.2 mm   |                                       |
| Poles and Throws                | 1-pole 1-throw   |                                       |
| Full Travel (Pushing distance)  | Type V : 2.15 mm (2.15 mm)<br>Type H : 3.05 mm (2.15 mm) |                                       |
| Operating Life                  | 50000 cycles min.  |                                       |
| Temperature Range               | -10 °C to +60 °C   |                                       |
| Heat Resistance                 | +70 °C for 96 hours                                      |                                       |
| Low Temperature Resistance      | -25 °C for 96 hours                                      |                                       |
| Humidity Resistance             | +40 °C 90 % to 95 % RH for 96 hours                      |                                       |
| Minimum Quantity/Packing Unit   | ESE13H   | 5000 pcs. Embossed Taping (Reel Pack) |
|                                 | ESE13V   | 3000 pcs. Embossed Taping (Reel Pack) |
| Quantity/Carton                 | ESE13H   | 30000 pcs.                            |
|                                 | ESE13V   | 18000 pcs.                            |

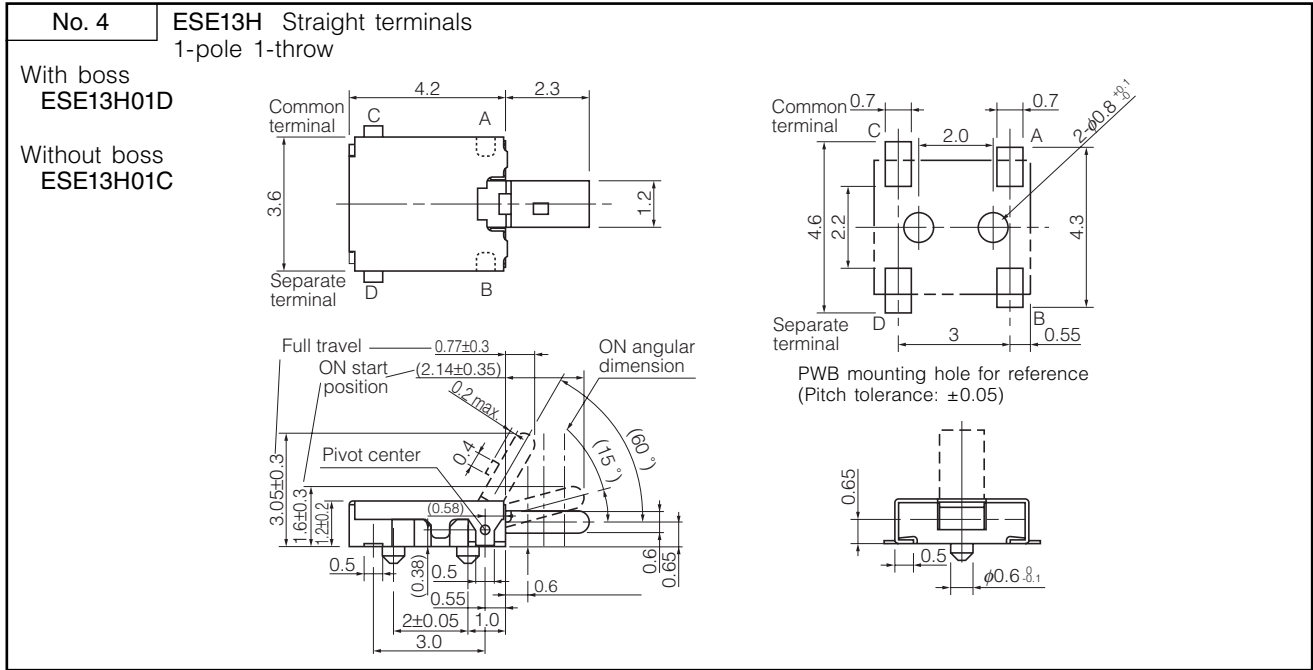
Design and specifications are each subject to change without notice. Ask factory for the current technical specifications before purchase and/or use. Should a safety concern arise regarding this product, please be sure to contact us immediately.

### ■ Dimensions in mm (not to scale)

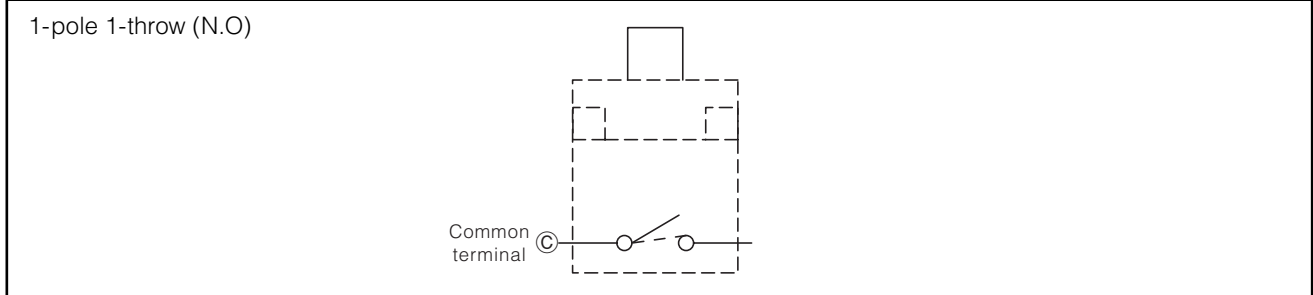


Design and specifications are each subject to change without notice. Ask factory for the current technical specifications before purchase and/or use. Should a safety concern arise regarding this product, please be sure to contact us immediately.

■ Dimensions in mm (not to scale)

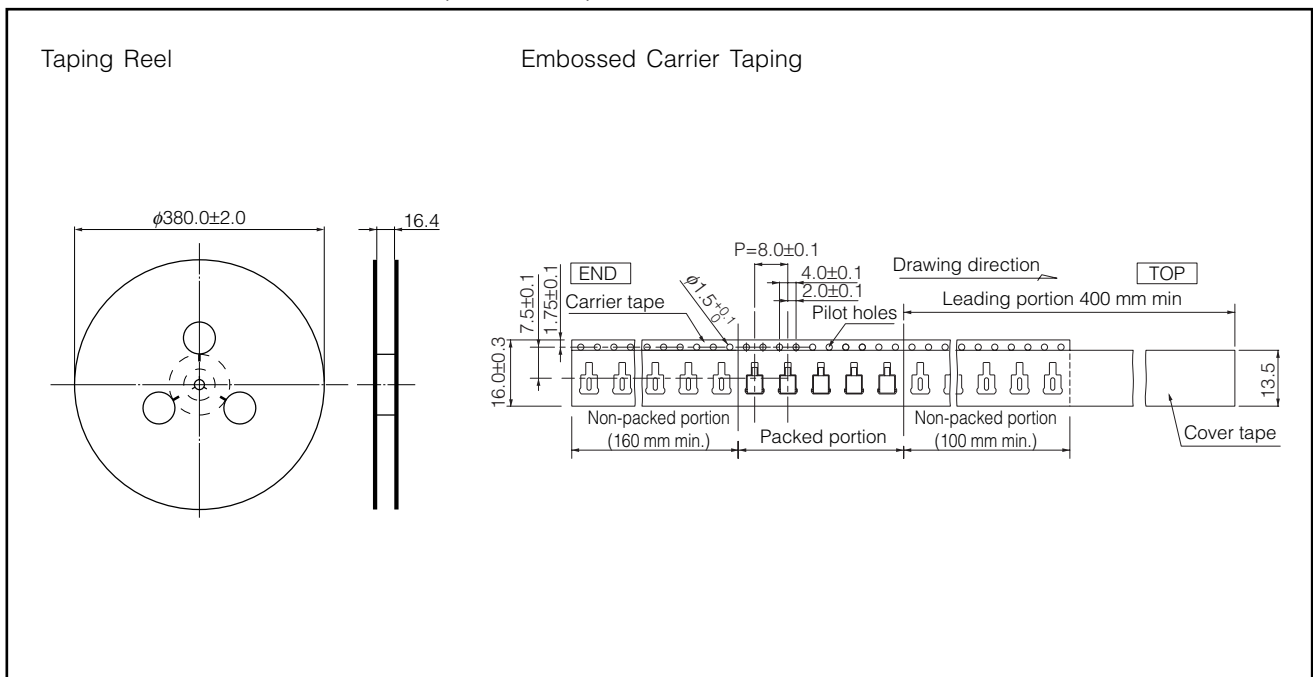


■ Circuit Diagram



■ Packaging Specifications

Standard Reel Dimensions in mm (not to scale)



Design and specifications are each subject to change without notice. Ask factory for the current technical specifications before purchase and/or use. Should a safety concern arise regarding this product, please be sure to contact us immediately.