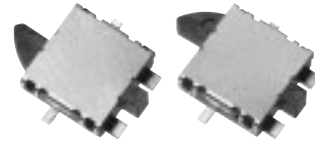


2HL Detector Switches

Type: **ESE31**



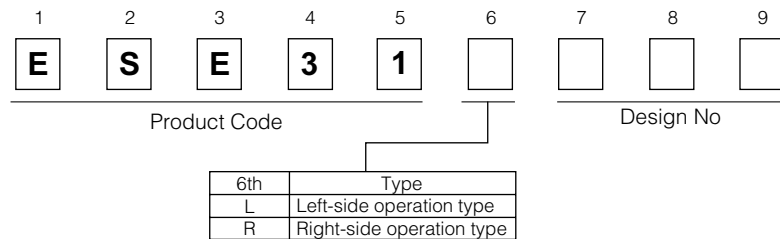
■ Features

- Increased the mounting strength Mounting strength: 80 N
- Decreased the profile of the switch body Height: 1.7 mm
- Increased the contact reliability and lifespan.
Lifespan: 100,000 operations or more

■ Recommended Applications

- Detection of media in portable electronic equipment

■ Explanation of Part Numbers

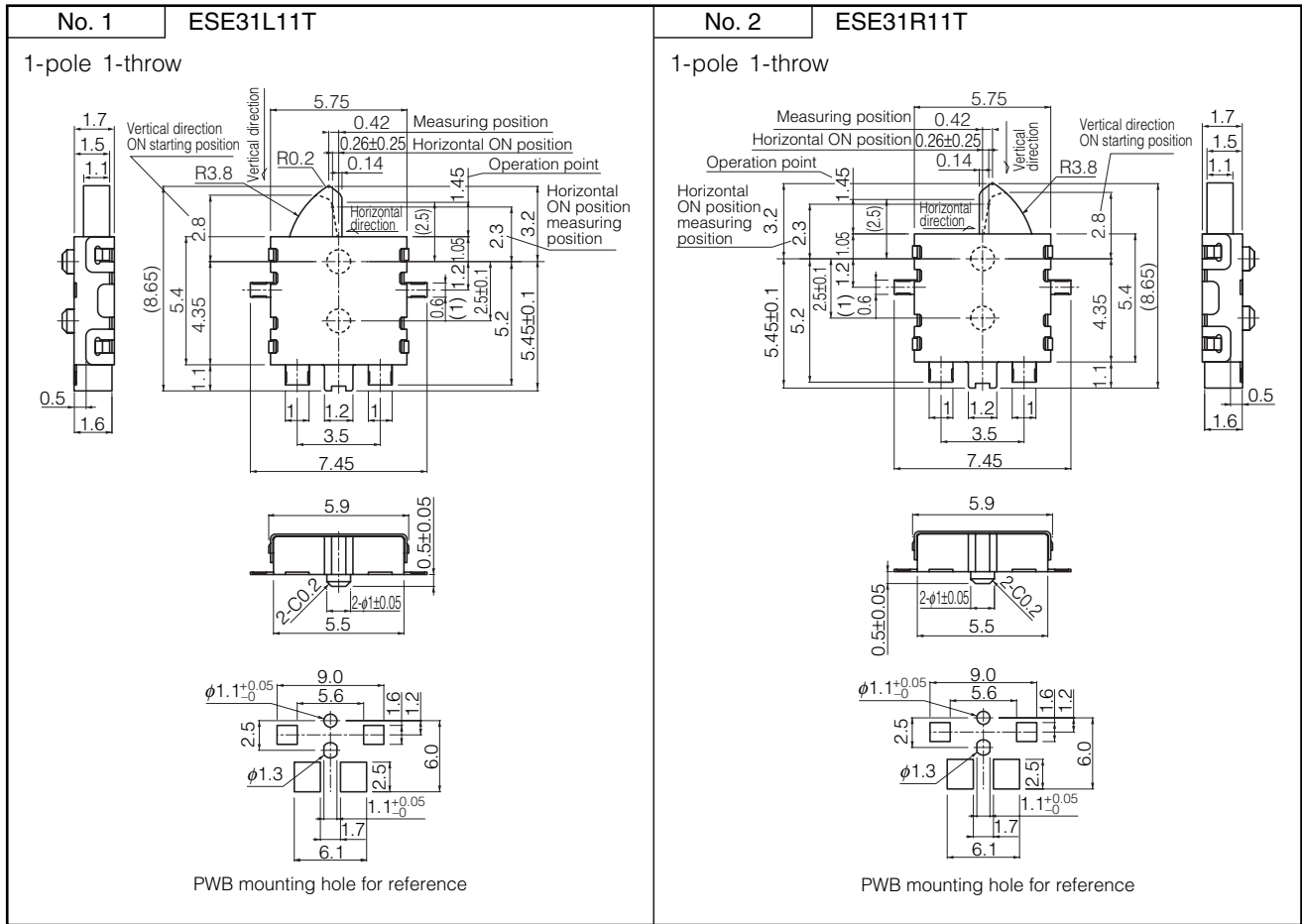


■ Specifications

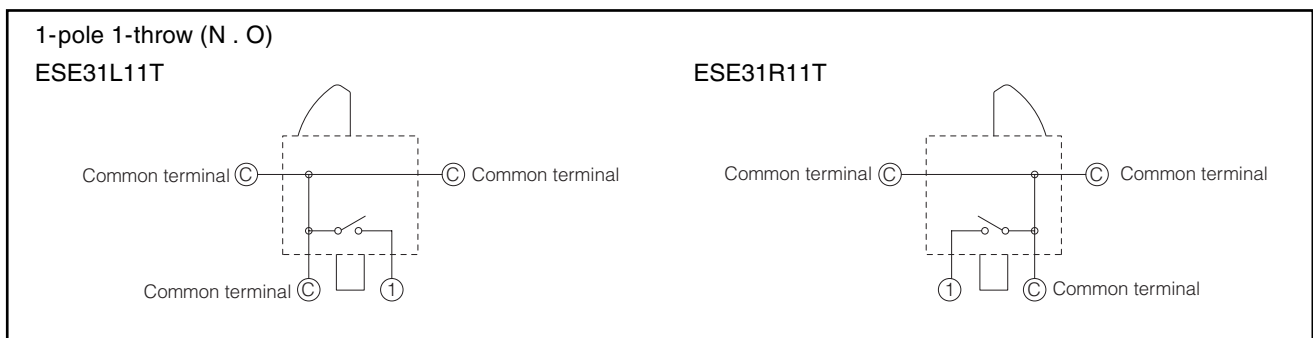
Rating	50 μ A 3 Vdc to 10 mA 5 Vdc (Resistive load)
Contact Resistance	500 m Ω max. (Initial)
Insulation Resistance	100 M Ω min. (100 Vdc)
Dielectric Withstanding Voltage	100 Vac for 1 minute
Operating Force	390 mN max.
Mounting Height	1.7 mm
Poles and Throws	1-pole 1-throw
Full Travel (Pushing distance)	3.2 mm (2.15 mm)
Operating Life	50000 cycles min.
Temperature Range	-10 °C to +70 °C
Heat Resistance	+85 °C for 96 hours
Low Temperature Resistance	-40 °C for 96 hours
Humidity Resistance	+60 °C 90 % to 95 % RH for 96 hours
Minimum Quantity/Packing Unit	2500 pcs. Embossed Taping (Reel Pack)
Quantity/Carton	15000 pcs.

Design and specifications are each subject to change without notice. Ask factory for the current technical specifications before purchase and/or use.
Should a safety concern arise regarding this product, please be sure to contact us immediately.

■ Dimensions in mm (not to scale)

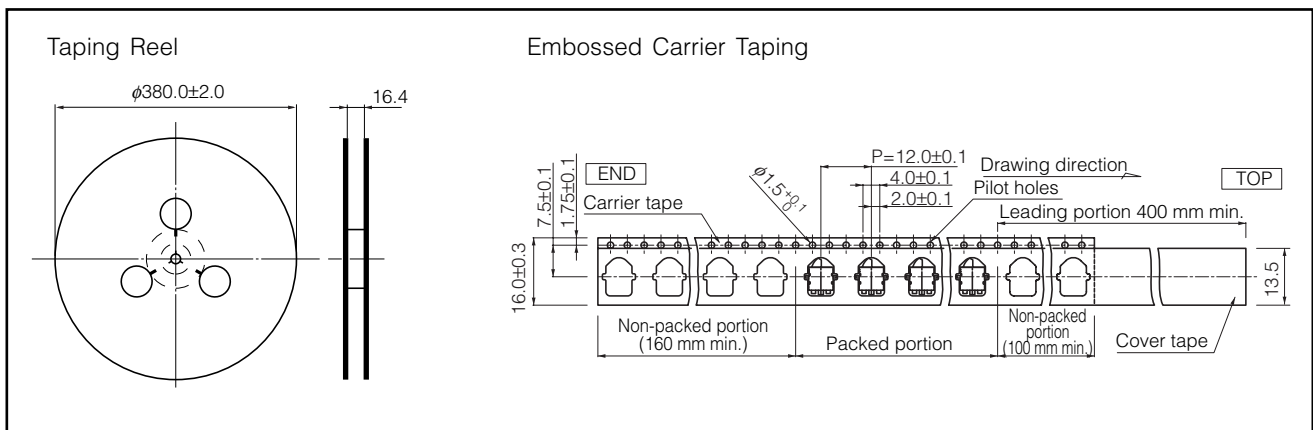


■ Circuit Diagram



■ Packaging Specifications

Standard Reel Dimensions in mm (not to scale)



Design and specifications are each subject to change without notice. Ask factory for the current technical specifications before purchase and/or use. Should a safety concern arise regarding this product, please be sure to contact us immediately.