

Metallized Polypropylene Film Capacitors

Type: **EZPE Series**

■ Features

- High safety, Self-healing and Self-protecting function built-in
- Long product life, High reliability
- Low loss, Low ESR
- Flame retardant (Case and sealing resin)
- RoHS directive compliant

■ Recommended Applications

For DC filtering, DC link circuit

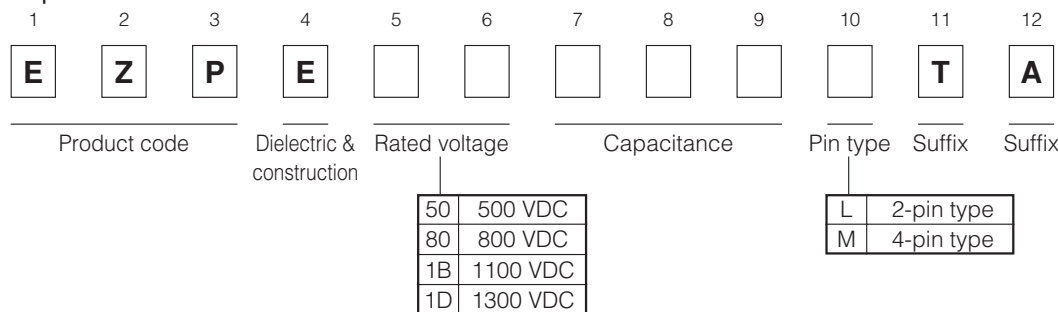
- Solar inverters
- Wind power generation
- Industrial power supplies
- Inverter circuit in appliances (Air Conditioners etc.)



■ Construction

- Dielectric : Polypropylene film
- Electrodes : Metallized dielectric with segmented pattern
- Plastic case : UL94 V-0
- Sealing : UL94 V-0
- Terminals : Tinned wires, 2-pin and 4-pin versions

■ Explanation of Part Numbers



■ Specifications

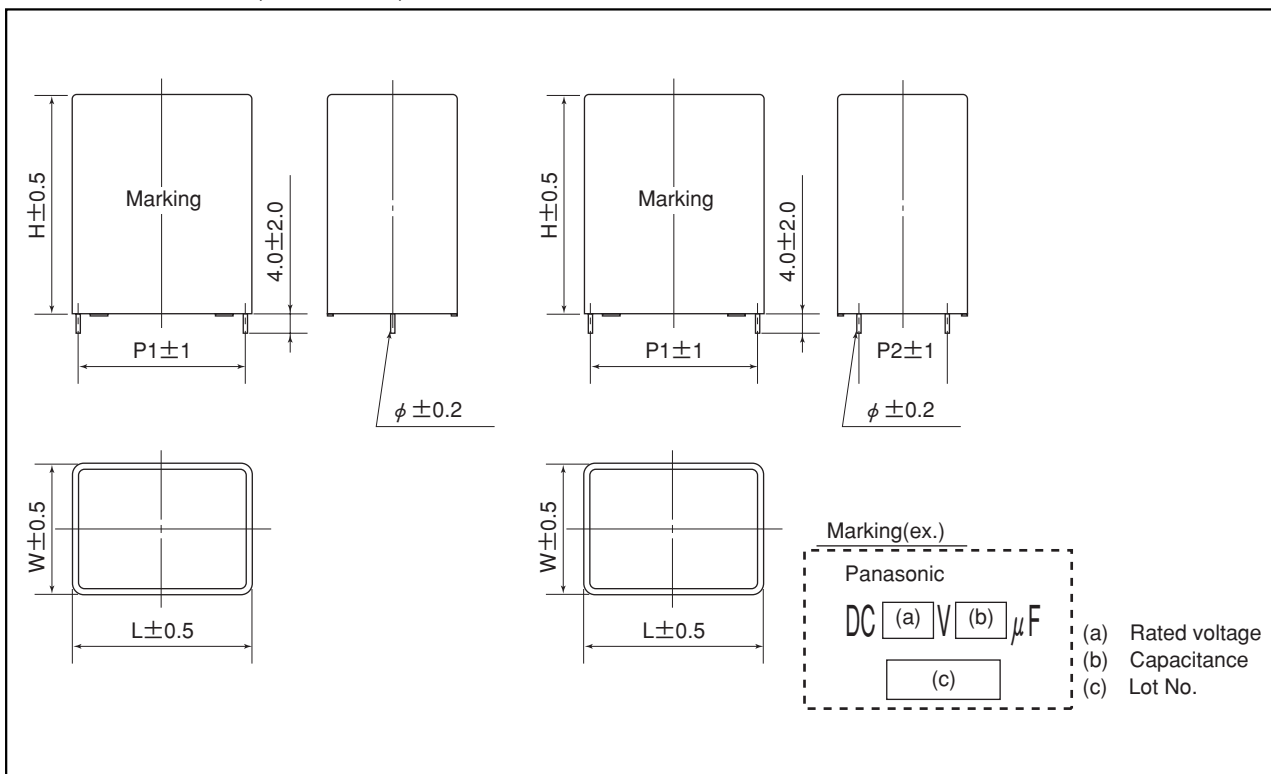
| | | |
|---|---|-----------------|
| Category temperature range (T _c) (*1) | -40 °C to +85 °C | |
| Rated voltage(V _R) (*2) | 500 VDC, 800 VDC, 1100 VDC, 1300 VDC (Derating of rated voltage by more than 70 °C (*3)) | |
| Rated capacitance (C _R) | 500 VDC | 10 μF to 110 μF |
| | 800 VDC | 10 μF to 60 μF |
| | 1100 VDC | 10 μF to 40 μF |
| | 1300 VDC | 10 μF to 25 μF |
| Capacitance tolerance | ±10 % | |
| Withstanding DC voltage | Between terminals:Rated voltage. (VDC)×150 % 10 s Terminal to case:2110 VAC 10 s | |
| Insulation resistance (CR) | CR≥10000 Ω · F (20 °C, 500 VDC, 60 s) | |

*1:The temperature of capacitor surface (case)

*2:Use for DC voltage only

*3:Refer to the page of " DC voltage derating "

■Dimensions in mm (not to scale)



Metallized Film

■Rating, Dimensions & Quantity / Ammo Box

●Type EZPE Rated voltage : 500 VDC at 70 °C (450VDC at 85 °C)

| Part No. | CR. (μF) | Dimensions (mm) | | | | | | dv/dt [V/μs] | Permissible current | | ESR _{typ} [mΩ] (*3) | tan _{typ} [%] (*4) | Mass [g] | MOQ [pcs] (*5) |
|--------------|-------------|-----------------|----|------|------|------|-----|-----------------|---|--|------------------------------------|-----------------------------------|-------------|----------------------|
| | | W | H | L | P1 | P2 | φ | | Peak Current [A _{o-p}] (*1) | RMS Current [A _{rms}] (*2) | | | | |
| EZPE50106LTA | 10 | 20 | 42 | 41.5 | 37.5 | - | 1.2 | 21 | 210 | 5.0 | 22.0 | 0.28 | 45 | 600 |
| EZPE50156LTA | 15 | 20 | 42 | 41.5 | 37.5 | - | 1.2 | 21 | 315 | 7.5 | 14.8 | 0.28 | 45 | |
| EZPE50206LTA | 20 | 20 | 42 | 41.5 | 37.5 | - | 1.2 | 21 | 420 | 9.5 | 11.0 | 0.28 | 44 | |
| EZPE50256LTA | 25 | 20 | 42 | 41.5 | 37.5 | - | 1.2 | 21 | 525 | 11.0 | 8.8 | 0.28 | 43 | |
| EZPE50306MTA | 30 | 20 | 42 | 41.5 | 37.5 | 10.2 | 1.2 | 21 | 630 | 12.5 | 7.0 | 0.28 | 43 | |
| EZPE50356MTA | 35 | 30 | 51 | 41.5 | 37.5 | 10.2 | 1.2 | 21 | 735 | 13.5 | 6.2 | 0.28 | 83 | 600 |
| EZPE50406MTA | 40 | 30 | 51 | 41.5 | 37.5 | 10.2 | 1.2 | 21 | 840 | 14.5 | 5.4 | 0.28 | 82 | |
| EZPE50456MTA | 45 | 30 | 51 | 41.5 | 37.5 | 10.2 | 1.2 | 21 | 945 | 15.2 | 4.9 | 0.28 | 81 | |
| EZPE50506MTA | 50 | 30 | 51 | 41.5 | 37.5 | 20.3 | 1.2 | 21 | 1050 | 16.0 | 4.4 | 0.28 | 80 | |
| EZPE50556MTA | 55 | 30 | 51 | 41.5 | 37.5 | 20.3 | 1.2 | 21 | 1155 | 16.3 | 4.1 | 0.28 | 79 | |
| EZPE50606MTA | 60 | 30 | 51 | 41.5 | 37.5 | 20.3 | 1.2 | 21 | 1260 | 16.5 | 3.9 | 0.28 | 77 | 200 |
| EZPE50656MTA | 65 | 30 | 51 | 57.5 | 52.5 | 10.2 | 1.2 | 14 | 910 | 15.0 | 6.8 | 0.44 | 111 | |
| EZPE50706MTA | 70 | 30 | 51 | 57.5 | 52.5 | 10.2 | 1.2 | 14 | 980 | 15.5 | 6.5 | 0.44 | 109 | |
| EZPE50756MTA | 75 | 30 | 51 | 57.5 | 52.5 | 20.3 | 1.2 | 14 | 1050 | 16.0 | 6.0 | 0.44 | 108 | |
| EZPE50806MTA | 80 | 30 | 51 | 57.5 | 52.5 | 20.3 | 1.2 | 14 | 1120 | 16.5 | 5.7 | 0.44 | 106 | |
| EZPE50856MTA | 85 | 35 | 56 | 57.5 | 52.5 | 20.3 | 1.2 | 14 | 1190 | 16.7 | 5.4 | 0.44 | 142 | |
| EZPE50906MTA | 90 | 35 | 56 | 57.5 | 52.5 | 20.3 | 1.2 | 14 | 1260 | 17.0 | 5.1 | 0.44 | 141 | |
| EZPE50956MTA | 95 | 35 | 56 | 57.5 | 52.5 | 20.3 | 1.2 | 14 | 1330 | 17.5 | 4.9 | 0.44 | 140 | |
| EZPE50107MTA | 100 | 35 | 56 | 57.5 | 52.5 | 20.3 | 1.2 | 14 | 1400 | 18.0 | 4.7 | 0.44 | 139 | |
| EZPE50117MTA | 110 | 35 | 56 | 57.5 | 52.5 | 20.3 | 1.2 | 14 | 1540 | 18.5 | 4.4 | 0.44 | 138 | |

*1:When rising temperature of capacitor surface by continuous peak current (included pulse current), use within limit specified for temperature of capacitor surface and self heating temperature rise.

*2:Maximum RMS current @ 70 °C, 10 kHz
Use within limit for self heating temperature rise at capacitor surface.

*3:Typical values @ 20°C, 10 kHz ESR : less than 2.5 × ESR_{typ}

*4:Maximum dissipation factor @20°C, 1 kHz

*5:Minimum order quantity consists of 4 packing units.

■ Rating, Dimensions & Quantity / Ammo Box

● Type EZPE Rated voltage : 800 VDC at 70 °C (700VDC at 85 °C)

| Part No. | CR. (μ F) | Dimensions (mm) | | | | | | dv/dt [V/ μ s] | Permissible current | | ESR _{typ} [m Ω] (*3) | tan δ _{typ} [%] (*4) | Mass [g] | MOQ [pcs] (*5) |
|--------------|-------------------|-----------------|----|------|------|------|--------|-----------------------|---|--|---|--|-------------|----------------------|
| | | W | H | L | P1 | P2 | ϕ | | Peak Current [A _{p-p}] (*1) | RMS Current [A _{rms}] (*2) | | | | |
| EZPE80106LTA | 10 | 20 | 42 | 41.5 | 37.5 | - | 1.2 | 22 | 220 | 7.0 | 15.8 | 0.22 | 44 | 600 |
| EZPE80156MTA | 15 | 20 | 42 | 41.5 | 37.5 | 10.2 | 1.2 | 22 | 330 | 9.0 | 10.5 | 0.22 | 43 | |
| EZPE80206MTA | 20 | 30 | 51 | 41.5 | 37.5 | 10.2 | 1.2 | 22 | 440 | 11.0 | 7.7 | 0.22 | 82 | 400 |
| EZPE80256MTA | 25 | 30 | 51 | 41.5 | 37.5 | 10.2 | 1.2 | 22 | 550 | 13.0 | 6.4 | 0.22 | 80 | |
| EZPE80306MTA | 30 | 30 | 51 | 41.5 | 37.5 | 20.3 | 1.2 | 22 | 660 | 15.0 | 5.3 | 0.22 | 78 | 200 |
| EZPE80356MTA | 35 | 30 | 51 | 57.5 | 52.5 | 10.2 | 1.2 | 15 | 525 | 12.0 | 9.7 | 0.33 | 110 | |
| EZPE80406MTA | 40 | 30 | 51 | 57.5 | 52.5 | 20.3 | 1.2 | 15 | 600 | 13.0 | 8.3 | 0.33 | 107 | |
| EZPE80456MTA | 45 | 30 | 51 | 57.5 | 52.5 | 20.3 | 1.2 | 15 | 675 | 14.0 | 7.0 | 0.33 | 104 | |
| EZPE80506MTA | 50 | 35 | 56 | 57.5 | 52.5 | 20.3 | 1.2 | 15 | 750 | 15.0 | 6.3 | 0.33 | 140 | |
| EZPE80556MTA | 55 | 35 | 56 | 57.5 | 52.5 | 20.3 | 1.2 | 15 | 825 | 16.0 | 5.9 | 0.33 | 138 | |
| EZPE80606MTA | 60 | 35 | 56 | 57.5 | 52.5 | 20.3 | 1.2 | 15 | 900 | 17.0 | 5.6 | 0.33 | 136 | |

● Type EZPE Rated voltage : 1100 VDC at 70 °C (920VDC at 85 °C)

| Part No. | CR. (μ F) | Dimensions (mm) | | | | | | dv/dt [V/ μ s] | Permissible current | | ESR _{typ} [m Ω] (*3) | tan δ _{typ} [%] (*4) | Mass [g] | MOQ [pcs] (*5) |
|--------------|-------------------|-----------------|----|------|------|------|--------|-----------------------|---|--|---|--|-------------|----------------------|
| | | W | H | L | P1 | P2 | ϕ | | Peak Current [A _{p-p}] (*1) | RMS Current [A _{rms}] (*2) | | | | |
| EZPE1B106MTA | 10 | 20 | 42 | 41.5 | 37.5 | 10.2 | 1.2 | 54 | 540 | 7.0 | 12.3 | 0.20 | 43 | 600 |
| EZPE1B156MTA | 15 | 30 | 51 | 41.5 | 37.5 | 10.2 | 1.2 | 54 | 810 | 8.5 | 8.2 | 0.20 | 80 | 400 |
| EZPE1B206MTA | 20 | 30 | 51 | 41.5 | 37.5 | 20.3 | 1.2 | 54 | 1080 | 10.0 | 6.3 | 0.20 | 76 | |
| EZPE1B256MTA | 25 | 30 | 51 | 57.5 | 52.5 | 10.2 | 1.2 | 35 | 875 | 8.0 | 10.7 | 0.28 | 107 | 200 |
| EZPE1B306MTA | 30 | 30 | 51 | 57.5 | 52.5 | 20.3 | 1.2 | 35 | 1050 | 9.0 | 8.5 | 0.28 | 103 | |
| EZPE1B356MTA | 35 | 35 | 56 | 57.5 | 52.5 | 20.3 | 1.2 | 35 | 1225 | 10.0 | 7.2 | 0.28 | 137 | |
| EZPE1B406MTA | 40 | 35 | 56 | 57.5 | 52.5 | 20.3 | 1.2 | 35 | 1400 | 11.0 | 6.5 | 0.28 | 134 | |

● Type EZPE Rated voltage : 1300 VDC at 70 °C (1100VDC at 85 °C)

| Part No. | CR. (μ F) | Dimensions (mm) | | | | | | dv/dt [V/ μ s] | Permissible current | | ESR _{typ} [m Ω] (*3) | tan δ _{typ} [%] (*4) | Mass [g] | MOQ [pcs] (*5) |
|--------------|-------------------|-----------------|----|------|------|------|--------|-----------------------|---|--|---|--|-------------|----------------------|
| | | W | H | L | P1 | P2 | ϕ | | Peak Current [A _{p-p}] (*1) | RMS Current [A _{rms}] (*2) | | | | |
| EZPE1D106MTA | 10 | 30 | 51 | 41.5 | 37.5 | 10.2 | 1.2 | 73 | 730 | 12.0 | 10.0 | 0.17 | 80 | 400 |
| EZPE1D156MTA | 15 | 30 | 51 | 57.5 | 52.5 | 10.2 | 1.2 | 50 | 750 | 10.0 | 14.5 | 0.22 | 109 | 200 |
| EZPE1D206MTA | 20 | 30 | 51 | 57.5 | 52.5 | 20.3 | 1.2 | 50 | 1000 | 14.0 | 11.1 | 0.22 | 103 | |
| EZPE1D256MTA | 25 | 35 | 56 | 57.5 | 52.5 | 20.3 | 1.2 | 50 | 1250 | 17.0 | 8.5 | 0.22 | 136 | |

*1:When rising temperature of capacitor surface by continuous peak current (included pulse current), use within limit specified for temperature of capacitor surface and self heating temperature rise.

*2:Maximum RMS current @ 70 °C, 10 kHz
Use within limit for self heating temperature rise at capacitor surface.

*3:Typical values @ 20°C, 10 kHz ESR : less than 2.5 × ESR_{typ}

*4:Maximum dissipation factor @20°C, 1 kHz

*5:Minimum order quantity consists of 4 packing units.