

Stacked Coin Type

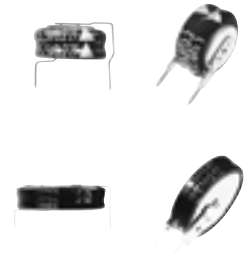
Series: **RG**

■ Features

- Endurance: 85 °C 2000 h
- -40 °C guarantee
- RoHS directive compliant

■ Recommended Applications

- Backup of data/RTC of base station, electronic meter, and industrial equipment

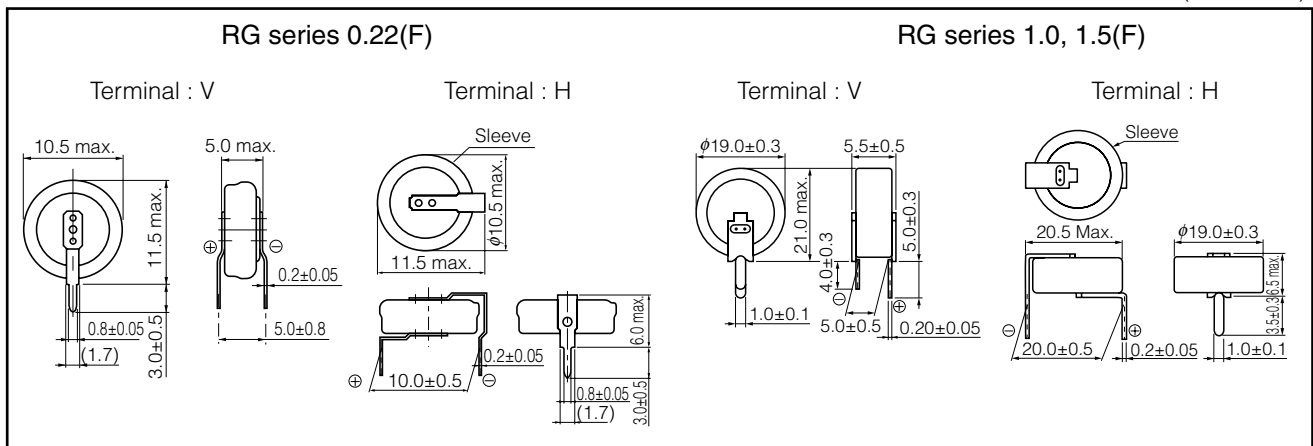


■ Specifications

| | | | |
|---|---------------------|---|--|
| Category temp. range | | -40 °C to +85 °C | |
| Maximum operating voltage | | 3.6 V DC | |
| Nominal capacitance | | 0.22 F | 1.0 F, 1.5 F |
| Characteristics at Low Temperature | | Capacitance change | ±30 % of initial measured value at +20 °C (at -40 °C) |
| | | Internal resistance | ≤7 times of initial measured value at +20 °C (at -40 °C) |
| After 2000 hours application of maximum operating voltage at +85 °C | | | |
| Endurance | Capacitance change | ±30 % of initial measured value at 20 °C | ±30 % of initial measured value at 20 °C |
| | Internal resistance | 100 Ω or less | 40 Ω or less |
| After 2000 hours storage at +85 °C without load (voltage) | | | |
| Shelf life | Capacitance change | Capacitance change shall meet the specified limits for Endurance | |
| | Internal resistance | Internal resistance shall meet the specified limits for Endurance | |

■ Dimensions in mm(not to scale)

(Unit : mm)



■ Standard Products

| Maximum operating voltage (V.DC) | Capacitance (F) | Capacitance tolerance (F) | Internal resistance (Initial specified value) (Ω) at 1 kHz | Recommended discharge current | Parts number | Mass (Reference value) (g) | Min. packaging Q'ty (pcs) |
|----------------------------------|-----------------|---------------------------|--|-------------------------------|----------------|----------------------------|---------------------------|
| 3.6 | 0.22 | 0.176 to 0.396 | ≤50 | 300 μA or less | EECRG0V224()N | 1.0 | 200 |
| | 1.0 | 0.8 to 1.8 | ≤20 | 1 mA or less | EECRG0V105()N | 4.1 | 100 |
| | 1.5 | 1.2 to 2.7 | ≤20 | 1 mA or less | EECRG0V155()N | 4.2 | 100 |

Do not use reflow soldering. (IR, Atmospherheating methods, etc.) Please refer to the page of "Application Guidelines".

(): Please use V or H to indicate terminal type.

The recommended discharge current is a reference value. Please design your equipment(circuit) in consideration of IR dorop.

Design and specifications are each subject to change without notice. Ask factory for the current technical specifications before purchase and/or use. Should a safety concern arise regarding this product, please be sure to contact us immediately.