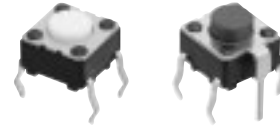


5N Type Light Touch Switches

Type: **EVQPA/EVQPB**



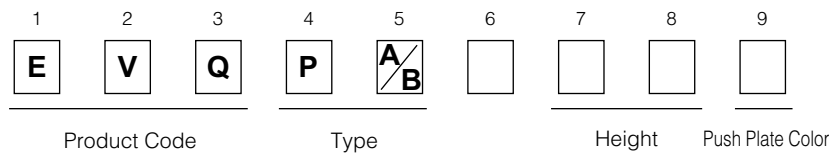
■ Features

- Wealth of product types: With or without a ground terminal, vertical type, snap-in terminals, etc.
- Can be automatically dip-soldered: Integral molding of the terminals and main body prevents the escape of flux.

■ Recommended Applications

- Operating switches for other electronic equipment

■ Explanation of Part Numbers



■ Product Chart

○=In production

| Operating Force | Positioning Pin | Ground Terminal | Height | | | |
|-----------------|-------------------------|-------------------------|--------|--------|--------|--------|
| | | | 4.3 mm | 5.0 mm | 7.0 mm | 9.5 mm |
| 1.0 N | Without positioning pin | With ground terminal | ○ | ○ | ○ | ○ |
| | | Without ground terminal | ○ | ○ | ○ | ○ |
| 1.3 N | Without positioning pin | With ground terminal | ○ | ○ | ○ | ○ |
| | | Without ground terminal | ○ | ○ | ○ | ○ |
| 1.6 N | Without positioning pin | With ground terminal | ○ | ○ | ○ | ○ |
| | | Without ground terminal | ○ | ○ | ○ | ○ |
| 2.6 N | Without positioning pin | With ground terminal | ○ | ○ | ○ | ○ |
| | | Without ground terminal | ○ | ○ | ○ | ○ |

■ Specifications

| Type | | Snap action/Push-on type SPST | |
|-----------------------------------|-----------------------------------|---|-------------------|
| Electrical | Circuit Diagram | | |
| | Rating | 10 μA 2 Vdc to 20 mA 15 Vdc (Resistiv load) | |
| | Contact Resistance | 50 mΩ max. | |
| | Insulation Resistance | 50 MΩ min. (at 100 Vdc) | |
| | Dielectric Withstanding Voltage | 250 Vac for 1 minute | |
| Bouncing | 3 ms max. (ON) 8 ms max. (OFF) | | |
| Mechanical | Operating Force | 1.0 N±0.4 N 1.3 N±0.4 N 1.6 N±0.5 N | 2.6 N±0.6 N |
| | Travel | 0.25 mm±0.10 mm | |
| Endurance | Operating Life | 100000 cycles min.* | 50000 cycles min. |
| Operating Temperature | | -20 °C to +70 °C | |
| Storage Temperature | | -40 °C to +85 °C (Bulk) | |
| Minimum Quantity/ Packing Unit | Top-push | 500 pcs. Polyethylene Bag (Bulk) | |
| Quantity/Carton | Top-push | 10000 pcs. | |

*1 million cycles also available, consult our salesmen.


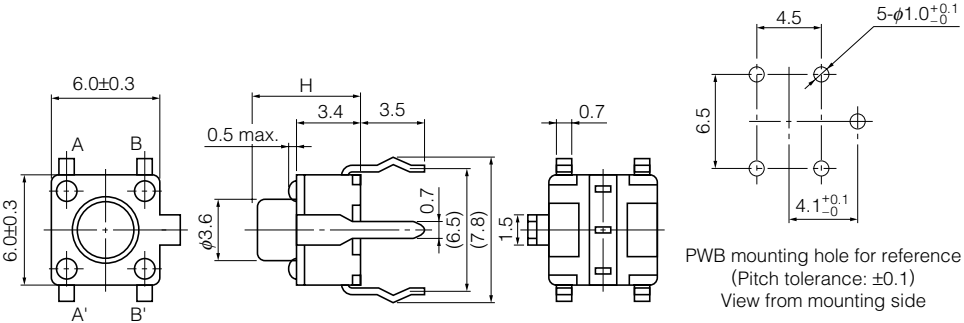
Design and specifications are each subject to change without notice. Ask factory for the current technical specifications before purchase and/or use. Should a safety concern arise regarding this product, please be sure to contact us immediately.

■ Dimensions in mm (not to scale)

| <p>No. 1</p> <p>EVQPA</p> <p>Without ground terminal</p> | | | | | | | | | | | | | | | | | | | | | | | | | | | | | | | | | | | | | | | | | | | | | | | | | | | | | | | | | | | | | | | | | | | | | | | | | | | | | | | | | | | | | | | | | |
|---|-----------------|-----------------|------------------|------------------|----------------|-----------|-------|--------|-------|---------------|-----------|-------|--------|-----|---------------|-----------|-------|--------|-------|---------------|-----------|-------|--------|-------|---------------|-----------|-------|--------|-------|---------------|-----------|-------|--------|-----|---------------|-----------|-------|--------|-------|---------------|-----------|-------|--------|-------|---------------|-----------|-------|--------|-------|---------------|-----------|-------|--------|-----|---------------|-----------|-------|--------|-------|---------------|-----------|-------|--------|-------|---------------|-----------|-------|--------|-------|--------------|-----------|-------|--------|-----|--------------|-----------|-------|--------|-------|--------------|-----------|-------|--------|-------|--------------|--|--|--|--|
| | | | | | | | | | | | | | | | | | | | | | | | | | | | | | | | | | | | | | | | | | | | | | | | | | | | | | | | | | | | | | | | | | | | | | | | | | | | | | | | | | | | | | | | | | |
| <table border="1"> <thead> <tr> <th>Part Numbers</th> <th>Operating Force</th> <th>H=Height</th> <th>Push Plate Color</th> <th>Operating Life</th> </tr> </thead> <tbody> <tr><td>EVQPAC04M</td><td>1.0 N</td><td>4.3 mm</td><td>White</td><td>100000 cycles</td></tr> <tr><td>EVQPAC05R</td><td>1.0 N</td><td>5.0 mm</td><td>Red</td><td>100000 cycles</td></tr> <tr><td>EVQPAC07K</td><td>1.0 N</td><td>7.0 mm</td><td>Black</td><td>100000 cycles</td></tr> <tr><td>EVQPAC09K</td><td>1.0 N</td><td>9.5 mm</td><td>Black</td><td>100000 cycles</td></tr> <tr><td>EVQPAD04M</td><td>1.3 N</td><td>4.3 mm</td><td>White</td><td>100000 cycles</td></tr> <tr><td>EVQPAD05R</td><td>1.3 N</td><td>5.0 mm</td><td>Red</td><td>100000 cycles</td></tr> <tr><td>EVQPAD07K</td><td>1.3 N</td><td>7.0 mm</td><td>Black</td><td>100000 cycles</td></tr> <tr><td>EVQPAD09K</td><td>1.3 N</td><td>9.5 mm</td><td>Black</td><td>100000 cycles</td></tr> <tr><td>EVQPAE04M</td><td>1.6 N</td><td>4.3 mm</td><td>White</td><td>100000 cycles</td></tr> <tr><td>EVQPAE05R</td><td>1.6 N</td><td>5.0 mm</td><td>Red</td><td>100000 cycles</td></tr> <tr><td>EVQPAE07K</td><td>1.6 N</td><td>7.0 mm</td><td>Black</td><td>100000 cycles</td></tr> <tr><td>EVQPAE09K</td><td>1.6 N</td><td>9.5 mm</td><td>Black</td><td>100000 cycles</td></tr> <tr><td>EVQPAG04M</td><td>2.6 N</td><td>4.3 mm</td><td>White</td><td>50000 cycles</td></tr> <tr><td>EVQPAG05R</td><td>2.6 N</td><td>5.0 mm</td><td>Red</td><td>50000 cycles</td></tr> <tr><td>EVQPAG07K</td><td>2.6 N</td><td>7.0 mm</td><td>Black</td><td>50000 cycles</td></tr> <tr><td>EVQPAG09K</td><td>2.6 N</td><td>9.5 mm</td><td>Black</td><td>50000 cycles</td></tr> </tbody> </table> | Part Numbers | Operating Force | H=Height | Push Plate Color | Operating Life | EVQPAC04M | 1.0 N | 4.3 mm | White | 100000 cycles | EVQPAC05R | 1.0 N | 5.0 mm | Red | 100000 cycles | EVQPAC07K | 1.0 N | 7.0 mm | Black | 100000 cycles | EVQPAC09K | 1.0 N | 9.5 mm | Black | 100000 cycles | EVQPAD04M | 1.3 N | 4.3 mm | White | 100000 cycles | EVQPAD05R | 1.3 N | 5.0 mm | Red | 100000 cycles | EVQPAD07K | 1.3 N | 7.0 mm | Black | 100000 cycles | EVQPAD09K | 1.3 N | 9.5 mm | Black | 100000 cycles | EVQPAE04M | 1.6 N | 4.3 mm | White | 100000 cycles | EVQPAE05R | 1.6 N | 5.0 mm | Red | 100000 cycles | EVQPAE07K | 1.6 N | 7.0 mm | Black | 100000 cycles | EVQPAE09K | 1.6 N | 9.5 mm | Black | 100000 cycles | EVQPAG04M | 2.6 N | 4.3 mm | White | 50000 cycles | EVQPAG05R | 2.6 N | 5.0 mm | Red | 50000 cycles | EVQPAG07K | 2.6 N | 7.0 mm | Black | 50000 cycles | EVQPAG09K | 2.6 N | 9.5 mm | Black | 50000 cycles | | | | |
| Part Numbers | Operating Force | H=Height | Push Plate Color | Operating Life | | | | | | | | | | | | | | | | | | | | | | | | | | | | | | | | | | | | | | | | | | | | | | | | | | | | | | | | | | | | | | | | | | | | | | | | | | | | | | | | | | | | | |
| EVQPAC04M | 1.0 N | 4.3 mm | White | 100000 cycles | | | | | | | | | | | | | | | | | | | | | | | | | | | | | | | | | | | | | | | | | | | | | | | | | | | | | | | | | | | | | | | | | | | | | | | | | | | | | | | | | | | | | |
| EVQPAC05R | 1.0 N | 5.0 mm | Red | 100000 cycles | | | | | | | | | | | | | | | | | | | | | | | | | | | | | | | | | | | | | | | | | | | | | | | | | | | | | | | | | | | | | | | | | | | | | | | | | | | | | | | | | | | | | |
| EVQPAC07K | 1.0 N | 7.0 mm | Black | 100000 cycles | | | | | | | | | | | | | | | | | | | | | | | | | | | | | | | | | | | | | | | | | | | | | | | | | | | | | | | | | | | | | | | | | | | | | | | | | | | | | | | | | | | | | |
| EVQPAC09K | 1.0 N | 9.5 mm | Black | 100000 cycles | | | | | | | | | | | | | | | | | | | | | | | | | | | | | | | | | | | | | | | | | | | | | | | | | | | | | | | | | | | | | | | | | | | | | | | | | | | | | | | | | | | | | |
| EVQPAD04M | 1.3 N | 4.3 mm | White | 100000 cycles | | | | | | | | | | | | | | | | | | | | | | | | | | | | | | | | | | | | | | | | | | | | | | | | | | | | | | | | | | | | | | | | | | | | | | | | | | | | | | | | | | | | | |
| EVQPAD05R | 1.3 N | 5.0 mm | Red | 100000 cycles | | | | | | | | | | | | | | | | | | | | | | | | | | | | | | | | | | | | | | | | | | | | | | | | | | | | | | | | | | | | | | | | | | | | | | | | | | | | | | | | | | | | | |
| EVQPAD07K | 1.3 N | 7.0 mm | Black | 100000 cycles | | | | | | | | | | | | | | | | | | | | | | | | | | | | | | | | | | | | | | | | | | | | | | | | | | | | | | | | | | | | | | | | | | | | | | | | | | | | | | | | | | | | | |
| EVQPAD09K | 1.3 N | 9.5 mm | Black | 100000 cycles | | | | | | | | | | | | | | | | | | | | | | | | | | | | | | | | | | | | | | | | | | | | | | | | | | | | | | | | | | | | | | | | | | | | | | | | | | | | | | | | | | | | | |
| EVQPAE04M | 1.6 N | 4.3 mm | White | 100000 cycles | | | | | | | | | | | | | | | | | | | | | | | | | | | | | | | | | | | | | | | | | | | | | | | | | | | | | | | | | | | | | | | | | | | | | | | | | | | | | | | | | | | | | |
| EVQPAE05R | 1.6 N | 5.0 mm | Red | 100000 cycles | | | | | | | | | | | | | | | | | | | | | | | | | | | | | | | | | | | | | | | | | | | | | | | | | | | | | | | | | | | | | | | | | | | | | | | | | | | | | | | | | | | | | |
| EVQPAE07K | 1.6 N | 7.0 mm | Black | 100000 cycles | | | | | | | | | | | | | | | | | | | | | | | | | | | | | | | | | | | | | | | | | | | | | | | | | | | | | | | | | | | | | | | | | | | | | | | | | | | | | | | | | | | | | |
| EVQPAE09K | 1.6 N | 9.5 mm | Black | 100000 cycles | | | | | | | | | | | | | | | | | | | | | | | | | | | | | | | | | | | | | | | | | | | | | | | | | | | | | | | | | | | | | | | | | | | | | | | | | | | | | | | | | | | | | |
| EVQPAG04M | 2.6 N | 4.3 mm | White | 50000 cycles | | | | | | | | | | | | | | | | | | | | | | | | | | | | | | | | | | | | | | | | | | | | | | | | | | | | | | | | | | | | | | | | | | | | | | | | | | | | | | | | | | | | | |
| EVQPAG05R | 2.6 N | 5.0 mm | Red | 50000 cycles | | | | | | | | | | | | | | | | | | | | | | | | | | | | | | | | | | | | | | | | | | | | | | | | | | | | | | | | | | | | | | | | | | | | | | | | | | | | | | | | | | | | | |
| EVQPAG07K | 2.6 N | 7.0 mm | Black | 50000 cycles | | | | | | | | | | | | | | | | | | | | | | | | | | | | | | | | | | | | | | | | | | | | | | | | | | | | | | | | | | | | | | | | | | | | | | | | | | | | | | | | | | | | | |
| EVQPAG09K | 2.6 N | 9.5 mm | Black | 50000 cycles | | | | | | | | | | | | | | | | | | | | | | | | | | | | | | | | | | | | | | | | | | | | | | | | | | | | | | | | | | | | | | | | | | | | | | | | | | | | | | | | | | | | | |

Design and specifications are each subject to change without notice. Ask factory for the current technical specifications before purchase and/or use.
Should a safety concern arise regarding this product, please be sure to contact us immediately.

■ Dimensions in mm (not to scale)

| | | | | |
|--|--|----------|------------------|----------------|
| <p>No. 2</p> <p>EVQPB</p> <p>With ground terminal</p> |  | | | |
| |  | | | |
| Part Numbers | Operating Force | H=Height | Push Plate Color | Operating Life |
| EVQPBC04M | 1.0 N | 4.3 mm | White | 100000 cycles |
| EVQPBC05R | 1.0 N | 5.0 mm | Red | 100000 cycles |
| EVQPBC07K | 1.0 N | 7.0 mm | Black | 100000 cycles |
| EVQPBC09K | 1.0 N | 9.5 mm | Black | 100000 cycles |
| EVQPBD04M | 1.3 N | 4.3 mm | White | 100000 cycles |
| EVQPBD05R | 1.3 N | 5.0 mm | Red | 100000 cycles |
| EVQPBD07K | 1.3 N | 7.0 mm | Black | 100000 cycles |
| EVQPBD09K | 1.3 N | 9.5 mm | Black | 100000 cycles |
| EVQPBE04M | 1.6 N | 4.3 mm | White | 100000 cycles |
| EVQPBE05R | 1.6 N | 5.0 mm | Red | 100000 cycles |
| EVQPBE07K | 1.6 N | 7.0 mm | Black | 100000 cycles |
| EVQPBE09K | 1.6 N | 9.5 mm | Black | 100000 cycles |
| EVQPBG04M | 2.6 N | 4.3 mm | White | 50000 cycles |
| EVQPBG05R | 2.6 N | 5.0 mm | Red | 50000 cycles |
| EVQPBG07K | 2.6 N | 7.0 mm | Black | 50000 cycles |
| EVQPBG09K | 2.6 N | 9.5 mm | Black | 50000 cycles |

Design and specifications are each subject to change without notice. Ask factory for the current technical specifications before purchase and/or use.
Should a safety concern arise regarding this product, please be sure to contact us immediately.