

## 6 A Synchronous DC-DC Step down Regulator with I<sup>2</sup>C Interface (V<sub>IN</sub> = 4.5 V to 5.6 V, V<sub>OUT</sub> = 0.6 V to 3.5 V)

### FEATURES

- High-Speed Response DC-DC Step Down Regulator Circuit that employs Hysteretic Control System
- Integrated two 25 mΩ (Typ) MOSFETs for High Efficiency at 6 A
- Mode Selection Option via I<sup>2</sup>C:
  - (1) Pulse Skip Mode (PSM) with coast mode function for high efficiency at light load
  - (2) Forced Continuous Conduction Mode (FCCM) for quick load transient response
- Maximum Output Current : 6A
- Input Voltage Range : AV<sub>IN</sub> : 4.5 V to 5.6 V, PV<sub>IN</sub> : 3.1 V to 5.6 V, VDD : 1.7 V to 3.3 V  
Output Voltage Range : 0.6 V to 3.5 V  
Selectable Switching Frequency 500 kHz to 2 MHz ( 7 steps ) using I<sup>2</sup>C : Default 1 MHz
- Adjustable Soft Start
- Low Operating and Standby Quiescent Current
- Open Drain Power Good Indication for Output Over / Under Voltage
- Built-in Under Voltage Lock-Out (UVLO), Thermal Shut Down (TSD), Over Voltage Detection (OVD), Under Voltage Detection (UVD), Over Current Protection (OCP), Short Circuit Protection (SCP)
- 24 pin Plastic Quad Flat Non-leaded Package Heat Slug Down (QFN Type)  
( Size : 4 mm × 4 mm × 0.7 mm, 0.5 mm pitch )

### DESCRIPTION

NN30295A is a synchronous DC-DC Step down Regulator (1-ch) comprising of a Controller IC and two power MOSFETs and employs a hysteretic control system.

This system responds rapidly to sudden variations in load current, thus maintaining the fluctuations in the output voltage to a minimum level. The system does not require external components for phase compensation.

Together with the use of capacitors with small capacitance, this IC realizes downsizing of the set and reduces to a great extent, the number of external parts required for the system.

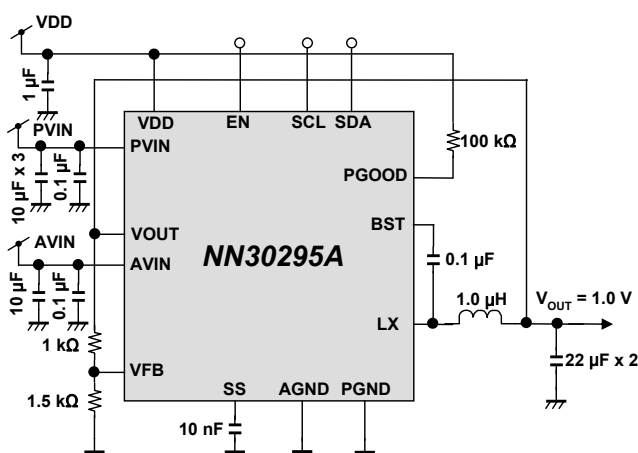
Output voltage is adjustable by user.  
Maximum current is 6 A.

### APPLICATIONS

High Current Distributed Power Systems such as :

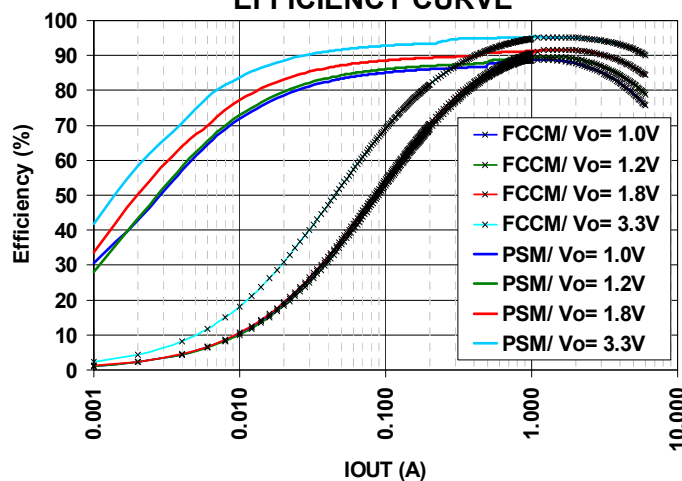
- HDDs (Hard Disk Drives)
- SSDs (Solid State Drives)
- PCs
- Game consoles
- Servers
- Security Cameras
- Network TVs
- Home Appliances
- OA Equipment etc.

### APPLICATION CIRCUIT EXAMPLE



Note : The application circuit is an example. The operation of the mass production set is not guaranteed. Sufficient evaluation and verification is required in the design of the mass production set. The Customer is fully responsible for the incorporation of the above illustrated application circuit in the design of the equipment.

### EFFICIENCY CURVE



Condition:

V<sub>IN</sub> = 5.0 V, V<sub>OUT</sub> = 1.0 V, 1.2 V, 1.8 V, 3.3 V,  
L<sub>O</sub> = 1 μH, C<sub>O</sub> = 44 μF (22 μF x 2), f<sub>SW</sub> = 0.5 MHz

**PRODUCT ORDER INFORMATION**

Product Order Code	Features	Package	Packing
NN30295A-VB	Maximum Output Current : 6 A	24-Pin HQFN	Emboss Taping

**ABSOLUTE MAXIMUM RATINGS**

Parameter	Symbol	Rating	Unit	Notes
Supply voltage	$V_{IN}$	6.0	V	*1
	VDD	3.6	V	*1
Operating free-air temperature	$T_{opr}$	- 40 to + 85	°C	*2
Operating junction temperature	$T_j$	- 40 to + 150	°C	*2
Storage temperature	$T_{stg}$	- 55 to + 150	°C	*2
Input Voltage Range	$V_{EN}, V_{OUT}, V_{FB}$	- 0.3 to ( $V_{IN} + 0.3$ )	V	*1, *3
	$V_{SCL}, V_{SDA}$	- 0.3 to ( VDD + 0.3 )	V	*1, *3
Output Voltage Range	$V_{LX}, V_{PGOOD}$	- 0.3 to ( $V_{IN} + 0.3$ )	V	*1, *3
ESD	HBM	2	kV	—

Notes: Do not apply external currents and voltages to any pin not specifically mentioned above.

This product may sustain permanent damage if subjected to conditions higher than the above stated absolute maximum rating. This rating is the maximum rating and device operating at this range is not guaranteed as it is higher than our stated recommended operating range. When subjected under the absolute maximum rating for a long time, the reliability of the product may be affected.  $V_{IN}$  is the voltage for AVIN, PVIN.

$V_{IN} = AV_{IN} = PV_{IN}$ . VDD is the voltage for VDD.

\*1 : The values under the condition not exceeding the above absolute maximum ratings and the power dissipation.

\*2 : Except for the power dissipation, operating ambient temperature, and storage temperature, all ratings are for  $T_a = 25$  °C.

\*3 : ( $V_{IN} + 0.3$ ) V must not exceed 6 V. (VDD + 0.3) V must not exceed 3.6 V.

**POWER DISSIPATION RATING**

Package	$\theta_{JA}$	$\theta_{j-c}$	PD (Ta = 25 °C)	PD (Ta = 85 °C)	Notes
24 pin Plastic Quad Flat Non-leaded Package Heat Slug Down (QFN Type)	63.0 °C / W	8.6 °C / W	1.984 W	1.031 W	*1
	40.4 °C / W	6.1 °C / W	3.094 W	1.608 W	*2

Notes: For the actual usage, please refer to the  $P_D-T_a$  characteristics diagram in the package specification.

Follow the power supply voltage, load and ambient temperature conditions to ensure that there is enough margin and the thermal design does not exceed the allowable value.

\*1 : Glass Epoxy Substrate (4 Layers) [50 × 50 × 0.8 t (mm)]

\*2 : Glass Epoxy Substrate (4 Layers) with Thermal Via [50 × 50 × 1.57 t (mm)]



**CAUTION**

Although this IC has built-in ESD protection circuit, it may still sustain permanent damage if not handled properly. Therefore, proper ESD precautions are recommended to avoid electrostatic damage to the MOS gates.

**RECOMMENDED OPERATING CONDITIONS**

Parameter	Symbol	Min	Typ	Max	Unit	Notes
Supply voltage range	$AV_{IN}$	4.5	5.0	5.6	V	—
	$PV_{IN}$	3.1	5.0	5.6	V	—
	VDD	1.7	2.5	3.3	V	—
Input Voltage Range	$V_{EN}$	- 0.3	—	$V_{IN} + 0.3$	V	*1
	$V_{SDA}$	- 0.3	—	$VDD + 0.3$	V	*1
	$V_{SCL}$	- 0.3	—	$VDD + 0.3$	V	*1
Output Voltage Range	$V_{LX}$	- 0.3	—	$V_{IN} + 0.3$	V	*1
	$V_{PGOOD}$	- 0.3	—	$V_{IN} + 0.3$	V	*1

Note: Do not apply external currents and voltages to any pin not specifically mentioned above.

Voltage values, unless otherwise specified, are with respect to GND. GND is voltage for AGND, PGND.

AGND = PGND.

$V_{IN}$  is voltage for pins  $AV_{IN}$ ,  $PV_{IN}$ .  $AV_{IN} = PV_{IN}$ .

\*1 : ( $V_{IN} + 0.3$ ) V must not exceed 6 V. ( $VDD + 0.3$ ) V must not exceed 3.6 V.

**ELECTRICAL CHARACTERISTICS**

Co = 22 μF × 2, Lo = 1 μH, V<sub>OUT</sub> Setting = 1.0 V, V<sub>IN</sub> = AV<sub>IN</sub> = PV<sub>IN</sub> = 5 V, VDD = 2.5 V,  
Switching Frequency = 1 MHz, Mode = Pulse Skip Mode (PSM),  
T<sub>a</sub> = 25 °C ± 2 °C unless otherwise specified.

Parameter	Symbol	Condition	Limits			Unit	Note
			Min	Typ	Max		
<b>Current Consumption</b>							
Consumption current at active	I <sub>OPR</sub>	V <sub>EN</sub> = 5 V, I <sub>OUT</sub> = 0 A R <sub>FB1</sub> = 1.0 kΩ R <sub>FB2</sub> = 1.5 kΩ	—	400	700	μA	—
Consumption current at standby	I <sub>STB</sub>	V <sub>EN</sub> = 0 V, I <sub>OUT</sub> = 0 A	—	—	2	μA	—
<b>Logic Pin Characteristics</b>							
EN pin Low-level input voltage	V <sub>ENL</sub>	—	-0.3	—	0.3	V	—
EN pin High-level input voltage	V <sub>ENH</sub>	—	1.5	—	V <sub>IN</sub> + 0.3	V	—
EN pin leak current	I <sub>leakEN</sub>	V <sub>EN</sub> = 5 V	—	3.5	10.0	μA	—
<b>VFB Characteristics</b>							
VFB comparator threshold	V <sub>FBTH</sub>	—	0.595	0.603	0.611	V	—
VFB pin leak current 1	I <sub>leakF1</sub>	V <sub>FB</sub> = 0 V	-1	—	1	μA	—
VFB pin leak current 2	I <sub>leakF2</sub>	V <sub>FB</sub> = 3.6 V	-1	—	1	μA	—
<b>Under Voltage Lock Out (UVLO)</b>							
PVIN UVLO trigger voltage	V <sub>UVLODET1</sub>	PV <sub>IN</sub> = 5 V to 0 V	2.45	2.60	2.75	V	—
PVIN UVLO hysteresis voltage	V <sub>UVLOHYS1</sub>	PV <sub>IN</sub> = 0 V to 5 V	50	200	350	mV	—
AVIN UVLO trigger voltage	V <sub>UVLODET2</sub>	AV <sub>IN</sub> = 5 V to 0 V	3.25	3.40	3.55	V	—
AVIN UVLO hysteresis voltage	V <sub>UVLOHYS2</sub>	AV <sub>IN</sub> = 0 V to 5 V	10	100	250	mV	—
VDD UVLO trigger voltage	V <sub>UVLODET3</sub>	VDD = 3 V to 0 V	1.00	1.25	1.50	V	—
VDD UVLO recover voltage	V <sub>UVLOHYS3</sub>	VDD = 0 V to 3 V	10	50	90	mV	—
<b>PGOOD Characteristics</b>							
PGOOD Threshold 1 (V <sub>FB</sub> ratio for UVD detect)	V <sub>PGUV</sub>	V <sub>PGOOD</sub> : High to Low	78	85	92	%	—
PGOOD Hysteresis 1 (UVD Hysteresis)	ΔV <sub>PGUV</sub>	V <sub>PGOOD</sub> : Low to High	2	5	8	%	—
PGOOD Threshold 2 (V <sub>FB</sub> ratio for OVD detect)	V <sub>PGOV</sub>	V <sub>PGOOD</sub> : High to Low	108	115	122	%	—
PGOOD Hysteresis 2 (OVD Hysteresis)	ΔV <sub>PGOV</sub>	V <sub>PGOOD</sub> : Low to High	2	5	8	%	—
PGOOD ON resistance	R <sub>PGOOD</sub>	V <sub>EN</sub> = 0 V	—	10	15	Ω	—

**ELECTRICAL CHARACTERISTICS (Continued)**

Co = 22 µF × 2, Lo = 1 µH, V<sub>OUT</sub> Setting = 1.0 V, V<sub>IN</sub> = AV<sub>IN</sub> = PV<sub>IN</sub> = 5 V, VDD = 2.5 V,  
Switching Frequency = 1 MHz, Mode = Pulse Skip Mode (PSM),  
T<sub>a</sub> = 25 °C ± 2 °C unless otherwise specified.

Parameter	Symbol	Condition	Limits			Unit	Note
			Min	Typ	Max		
<b>DC-DC Characteristics</b>							
Line regulation	V <sub>LIN</sub>	V <sub>IN</sub> = 4.5 V to 5.6 V I <sub>OUT</sub> = 4 A	—	0.5	1.5	%/V	—
Load regulation	V <sub>LOA</sub>	I <sub>OUT</sub> = 10 mA to 6 A	—	3	—	%	*1
Output ripple voltage 1	V <sub>R1</sub>	I <sub>OUT</sub> = 10 mA	—	25	—	mV [p-p]	*1
Output ripple voltage 2	V <sub>R2</sub>	I <sub>OUT</sub> = 4 A	—	10	—	mV [p-p]	*1
Load transient response 1	ΔV <sub>TR1</sub>	I <sub>OUT</sub> = 100 mA to 4 A Δt = 0.5 A / µs	—	20	—	mV	*1
Load transient response 2	ΔV <sub>TR2</sub>	I <sub>OUT</sub> = 4 A to 100 mA Δt = 0.5 A / µs	—	20	—	mV	*1
High Side Power MOSFET ON resistance	R <sub>ONH</sub>	V <sub>GS</sub> = 5 V	—	25	50	mΩ	—
Low Side Power MOSFET ON resistance	R <sub>ONL</sub>	V <sub>GS</sub> = 5 V	—	25	50	mΩ	—
MIN input and output voltage difference	V <sub>diff</sub>	V <sub>diff</sub> = V <sub>IN</sub> - V <sub>OUT</sub>	—	2	—	V	*1

Note : \*1 : Typical Design Value

**ELECTRICAL CHARACTERISTICS (Continued)**

Co = 22 μF × 2, Lo = 1 μH, V<sub>OUT</sub> Setting = 1.0 V, V<sub>IN</sub> = AV<sub>IN</sub> = PV<sub>IN</sub> = 5 V, VDD = 2.5 V,  
Switching Frequency = 1 MHz, Mode = Pulse Skip Mode (PSM),  
T<sub>a</sub> = 25 °C ± 2 °C unless otherwise specified.

Parameter	Symbol	Condition	Limits			Unit	Note
			Min	Typ	Max		
<b>Protection</b>							
Over Current Protection Limit	I <sub>LMT</sub>	—	—	9	—	A	*1
Short Circuit Protection Threshold	I <sub>short</sub>	V <sub>FB</sub> = 0.6 V to 0.0 V	55	70	85	%	—
Thermal Shut Down (TSD) Threshold	T <sub>TSDTH</sub>	—	—	140	—	°C	*1
Thermal Shut Down (TSD) Hysteresis	T <sub>TSDHYS</sub>	—	—	25	—	°C	*1
<b>Soft Start Timing</b>							
SS Charge Current	I <sub>SSCH</sub>	V <sub>SS</sub> = 0.3 V	—	2	4	μA	—
SS Discharge Resistance (Shut-down)	R <sub>SSDCH</sub>	V <sub>EN</sub> = 0 V, I <sub>OUT</sub> = 0 A	—	2	4	kΩ	—
<b>Switching Frequency</b>							
Switching Frequency 1	f <sub>SW1</sub>	I <sub>OUT</sub> = 6 A I <sup>2</sup> C Setting: 10h:10h	—	500	—	kHz	*1
Switching Frequency 2	f <sub>SW2</sub>	I <sub>OUT</sub> = 6 A I <sup>2</sup> C Setting: 10h:30h	—	1000	—	kHz	*1
Switching Frequency 3	f <sub>SW3</sub>	I <sub>OUT</sub> = 6 A I <sup>2</sup> C Setting: 10h:70h	—	2000	—	kHz	*1

Note : \*1 : Typical Design Value

**ELECTRICAL CHARACTERISTICS (Continued)**

**REFERENCE VALUES FOR DESIGN**

Co = 22 μF × 2, Lo = 1 μH, V<sub>OUT</sub> Setting = 1.0 V, V<sub>IN</sub> = AV<sub>IN</sub> = PV<sub>IN</sub> = 5 V, VDD = 1.85 V,

Switching Frequency = 1 MHz, Mode = Pulse Skip Mode (PSM),

T<sub>a</sub> = 25 °C ± 2 °C unless otherwise specified.

Parameter	Symbol	Condition	Reference Values			Unit	Note
			Min	Typ	Max		
<b>I<sup>2</sup>C Bus ( Internal I/O Stage Characteristics )</b>							
Low-level input voltage	V <sub>IL</sub>	Voltage which recognized that SDA and SCL are Low-level	- 0.5	—	0.3 × VDD	V	*1
High-level input voltage	V <sub>IH</sub>	Voltage which recognized that SDA and SCL are High-level	0.7 × VDD	—	VDD <sub>max</sub> +0.5	V	*1
Low-level output voltage 1	V <sub>OL1</sub>	VDD > 2 V SDA (sink current=3 mA)	0	—	0.4	V	—
Low-level output voltage 2	V <sub>OL2</sub>	VDD < 2 V SDA (sink current=3 mA)	0	—	0.2 × VDD	V	—
Input current each I/O pin	I <sub>L</sub>	SDA, SCL = 0.1 × VDD <sub>max</sub> to 0.9 × VDD <sub>max</sub>	- 10	—	10	μA	—
SCL clock frequency	F <sub>OSC</sub>	—	0	—	400	kHz	—
Hysteresis of Schmitt trigger input 1	V <sub>hys1</sub>	V <sub>IO</sub> > 2 V, Hysteresis 1 of SDA, SCL	0.05 × VDD	—	—	V	*2
Hysteresis of Schmitt trigger input 2	V <sub>hys2</sub>	V <sub>IO</sub> < 2 V, Hysteresis 2 of SDA, SCL	0.1 × VDD	—	—	V	*2
Output fall time from V <sub>IHmin</sub> to V <sub>ILmax</sub>	T <sub>of</sub>	Bus capacitance : 10 pF to 400 pF I <sub>P</sub> ≤ 6 mA, (V <sub>OLmax</sub> = 0.6 V) I <sub>P</sub> : Max. sink current	20+ 0.1×C <sub>b</sub>	—	250	ns	*2
Pulse width of spikes which must be suppressed by the input filter	T <sub>sp</sub>	—	0	—	50	ns	*2
Capacitance for each I/O pin	C <sub>i</sub>	—	—	—	10	pF	*2

Notes: Checked by design, not production tested.

\*1 : The input threshold voltage of I<sup>2</sup>C bus (V<sub>th</sub>) is linked to VDD.

In case the pull-up voltage is not VDD, the threshold voltage (V<sub>th</sub>) is fixed to ((VDD / 2) ± (Schmitt width) / 2 ) and High-level, Low-level of input voltage are not specified.

In this case, pay attention to Low-level (max.) value (V<sub>ILmax</sub>).

It is recommended that the pull-up voltage of I<sup>2</sup>C bus is set to the I<sup>2</sup>C bus I/O stage supply voltage (VDD).

\*2 : The timing of Fast-mode devices in I<sup>2</sup>C-bus is specified based on V<sub>IHmin</sub> and V<sub>ILmax</sub> levels.

**ELECTRICAL CHARACTERISTICS (Continued)**

**REFERENCE VALUES FOR DESIGN (Continued)**

Co = 22 μF × 2, Lo = 1 μH, V<sub>OUT</sub> Setting = 1.0 V, V<sub>IN</sub> = AV<sub>IN</sub> = PV<sub>IN</sub> = 5 V, VDD = 1.85 V,

Switching Frequency = 1 MHz, Mode = Pulse Skip Mode (PSM),

T<sub>a</sub> = 25 °C ± 2 °C unless otherwise specified.

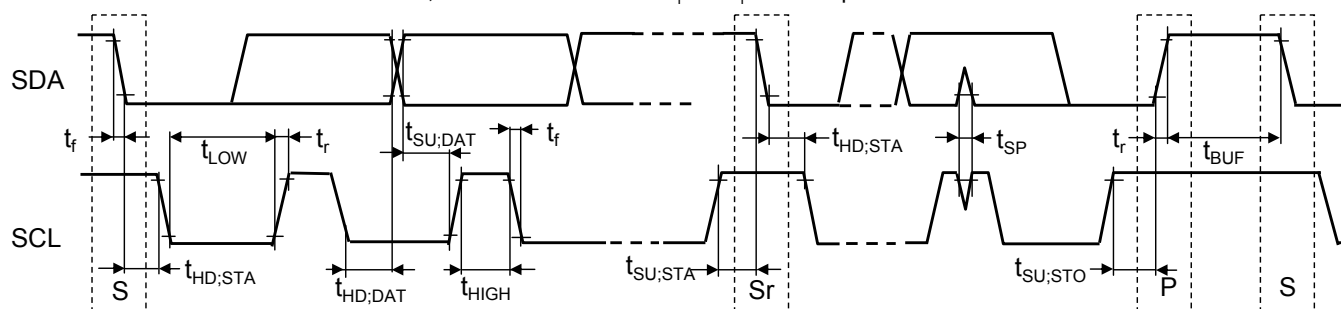
Parameter	Symbol	Condition	Reference Values			Unit	Note
			Min	Typ	Max		
<b>I<sup>2</sup>C bus (Internal I/O stage characteristics)</b>							
Hold time (repeated) START condition	t <sub>HD:STA</sub>	The first clock pulse is generated after t <sub>HD:STA</sub> .	0.6	—	—	μs	*1
Low period of the SCL clock	t <sub>LOW</sub>	—	1.3	—	—	μs	*1
High period of the SCL clock	t <sub>HIGH</sub>	—	0.6	—	—	μs	*1
Set-up time for a repeat START condition	t <sub>SU:STA</sub>	—	0.6	—	—	μs	*1
Data hold time	t <sub>HD:DAT</sub>	—	0	—	0.9	μs	*1
Data set-up time	t <sub>SU:DAT</sub>	—	100	—	—	ns	*1
Rise time of both SDA and SCL signals	t <sub>r</sub>	—	20 + 0.1×C <sub>b</sub>	—	300	ns	*1 *2
Fall time of both SDA and SCL signals	t <sub>f</sub>	—	20 + 0.1×C <sub>b</sub>	—	300	ns	*1 *2
Set-up time of STOP condition	t <sub>SU:STO</sub>	—	0.6	—	—	μs	*1
Bus free time between STOP and START condition	t <sub>BUF</sub>	—	1.3	—	—	μs	*1
Capacitive load for each bus line	C <sub>b</sub>	—	—	—	400	pF	*1
Noise margin at the Low-level for each connected device	V <sub>nL</sub>	—	0.1 × VDD	—	—	V	*1
Noise margin at the High-level for each connected device	V <sub>nH</sub>	—	0.2 × VDD	—	—	V	*1

Notes : Checked by design, not production tested.

\*1 : The timing of Fast-mode devices in I<sup>2</sup>C-bus is specified as the following.

All values referred to V<sub>IHmin</sub> and V<sub>ILmax</sub> level.

\*2 : For Standard-mode I<sup>2</sup>C devices, the minimum limits for t<sub>r</sub> and t<sub>f</sub> are not specified.



S : START condition

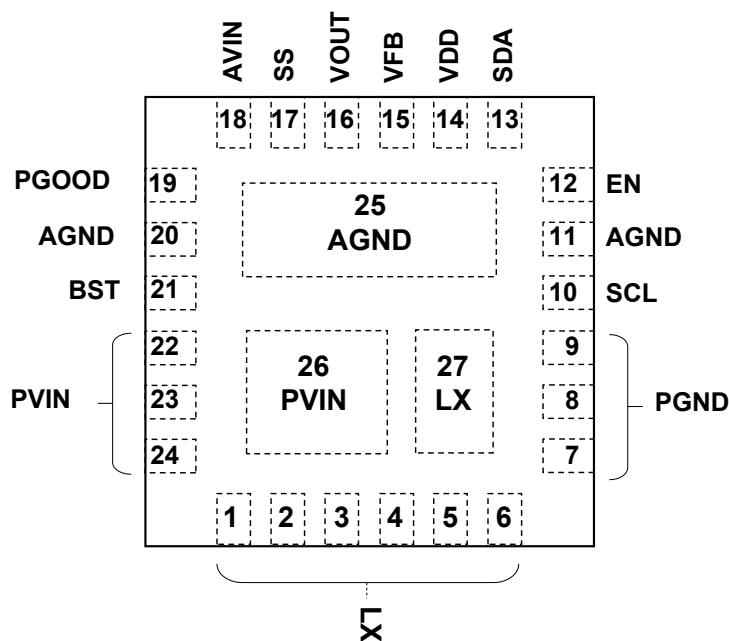
Sr : Repeat START condition

P : STOP condition



**PIN CONFIGURATION**

Top View



**PIN FUNCTIONS**

Pin No.	Pin name	Type	Description
1	LX	Output	Power MOSFET output pin An inductor is connected and switching operation is carried out between $V_{IN}$ and GND. Due to high current and large amplitude at this terminal, the parasitic inductance and impedance of the routing path can cause an increase in noise and a degradation in the efficiency. Routing path should be kept as short as possible.
2			
3			
4			
5			
6			
7	PGND	Ground	Ground pin for Power MOSFET
8			
9			
10	SCL	Input	I <sup>2</sup> C Interface Clock Input pin
11 20	AGND	Ground	Ground pin
12	EN	Input	DC-DC ON / OFF control pin DC-DC stops operation at Low level input, and starts operation at High level input.
13	SDA	Input / Output	I <sup>2</sup> C Interface Data I/O pin
14	VDD	Power Supply	Power supply pin for Digital Circuit

Note: Detailed pin descriptions are provided in the OPERATION and APPLICATION INFORMATION section.

**PIN FUNCTIONS (Continued)**

Pin No.	Pin name	Type	Description
15	VFB	Input	Comparator's negative input pin VFB terminal voltage is regulated to REF output (internal reference voltage). Since VFB is a high impedance terminal, it should not be routed near other noisy path (LX, BST, etc.) or the inductor. Routing path should be kept as short as possible.
16	VOUT	Input	Output voltage sense pin Switching frequency is controlled by monitoring output voltage.
17	SS	Output	Soft start capacitor connect pin The startup output voltage is smoothly controlled by adjusting the Soft Start time. Connect capacitor between SS and GND.
18	AVIN	Power supply	Power supply pin Recommended rise time ( time to reach 90 % of set value ) setting is greater than or equal to 10 $\mu$ s and less than or equal to 1 s.
19	PGOOD	Output	Power Good function pin The PGOOD pin is made of an open drain MOSFET structure. This requires the connection of a pull-up resistor between PGOOD and VDD terminal. Output is low during Over or Under Voltage Detection conditions.
21	BST	Output	High side Power MOSFET gate driver pin Bootstrap operation is carried out in order to drive the gate voltage of High side Power MOSFET. Please connect a capacitor between BST and LX pin. Routing path should be kept as short as possible to minimize noise.
22	PVIN	Power supply	Power supply pin for Power MOSFET Recommended rise time ( time to reach 90 % of set value ) setting is greater than or equal to 10 $\mu$ s and less than or equal to 1 s.
23			
24			
25	AGND	Ground	Ground pin for heat radiation.
26	PVIN	Power supply	Power supply pin for heat radiation.
27	LX	Output	Power MOSFET output pin for heat radiation.

Note: Detailed pin descriptions are provided in the OPERATION and APPLICATION INFORMATION section.



**OPERATION**

**1. Protection**

**(1) Over Current Protection (OCP) and Short Circuit Protection (SCP)**

- 1) The Over Current Protection is activated at about 9 A (Typ.) During the OCP, the output voltage continues to drop at the specified current.
- 2) The Short-Circuit Protection function is implemented when the output voltage decreases and the VFB pin reaches to about 70 % of the set voltage of 0.6 V.
- 3) The SCP operates intermittently at 2 ms-ON, 16 ms-OFF intervals.

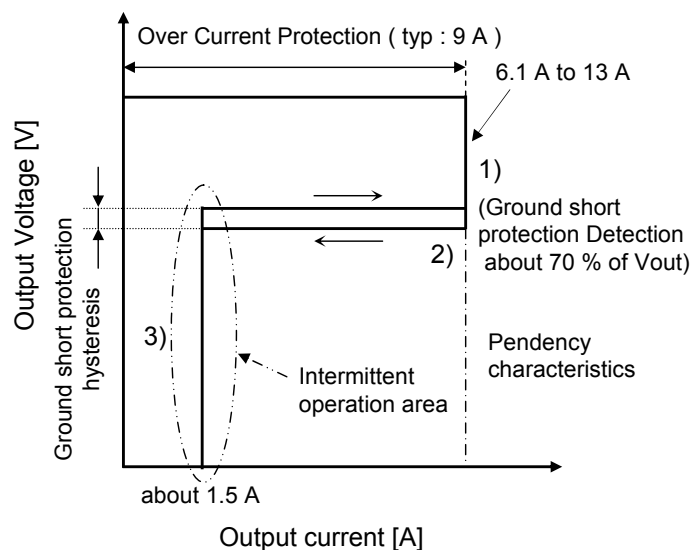


Figure : OCP and SCP Operation

**(2) Over Voltage Detection (OVD) and Under Voltage Detection (UVD)**

- 1) The MOSFET connected to the PGOOD pin turns ON when the output voltage rises and the VFB pin voltage reaches 115 % of its set voltage (0.603 V).
- 2) After (1) above, the MOSFET connected to the PGOOD pin is turned OFF after 1 ms when the output voltage drops and the VFB pin voltage reaches 110 % of its set voltage (0.603 V).
- 3) The MOSFET connected to the PGOOD pin turns ON when the output voltage drops and the VFB pin voltage reaches 85 % of its set voltage (0.603 V).
- 4) After (3) above, the MOSFET connected to the PGOOD pin is turned OFF after 1 ms when the output voltage drops and the VFB pin voltage reaches 90 % of its set voltage (0.603 V).

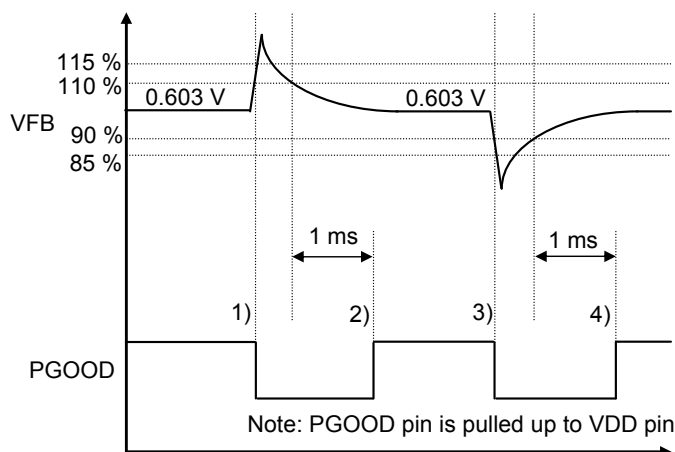


Figure : OVD and UVD Operation

**(3) Thermal Shut Down (TSD)**

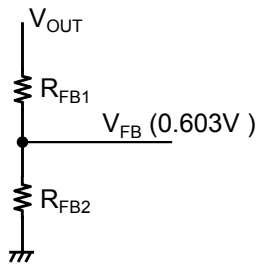
When the IC internal temperature becomes more than about 140 °C, TSD operates and DC-DC turns off.

**OPERATION (Continued)**

**2. Output Voltage Setting**

The Output Voltage is set by adjusting the value of the external resistors  $R_{FB1}$  and  $R_{FB2}$ . The equation below represents the relation between the external resistors and  $V_{OUT}$ .

( $V_{IN} = 5.0\text{ V}$ ,  $I_{OUT} = 1\text{ A}$ , FCCM,  $f_{SW} = 1\text{ MHz}$ )



$$V_{OUT} = -0.0119 \left( \frac{R_{FB1}}{R_{FB2}} \right)^2 + 0.616 \left( \frac{R_{FB1}}{R_{FB2}} \right) + 0.593$$

The following table represents the Feedback Resistor ( $R_{FB}$ ) setting for standard output voltage setups.

$V_{OUT}$ [V]	$R_{FB1}$ [ $\Omega$ ]	$R_{FB2}$ [ $\Omega$ ]
1.8	3.0 k	1.5 k
1.2	1.0 k	1.0 k
1.0	1.0 k	1.5 k

Note:  $R_{FB2}$  can be set to a maximum value of 10 k $\Omega$ .  
 A larger  $R_{FB2}$  value will be more susceptible to noise.

VFB comparator threshold is adjusted to  $\pm 1.33\%$ , but the actual output voltage accuracy becomes more than  $\pm 1.33\%$  due to the influence from the circuits other than VFB comparator.

In the case of  $V_{OUT}$  setting = 1.0 V, the actual output voltage accuracy becomes  $\pm 2\%$ .

( $V_{IN} = 5.0\text{ V}$ ,  $I_{OUT} = 1\text{ A}$ , FCCM,  $f_{SW} = 1\text{ MHz}$ )

**3. Soft Start Setting**

Soft Start function maintains the smooth control of the output voltage during start up by adjusting soft start time. When the EN pin becomes "High", a current of 2  $\mu\text{A}$  begins to charge the external capacitor ( $C_{SS}$ ) at the SS pin, and the SS pin voltage increases linearly.

The SS pin voltage controls the FB pin voltage, resulting in a linear increase in the FB pin voltage. The FB voltage remains constant after its designed value is reached.

On the other hand, the SS pin voltage continues to increase up to the designed value of about 2.55 V.

The calculation of Soft Start Time is as follows.

$$\text{Soft Start Setting [s]} = \frac{0.6}{2\mu} \times C_{SS}$$

When  $C_{SS}$  is set at 10 nF, soft-start time is approximately 3 ms.

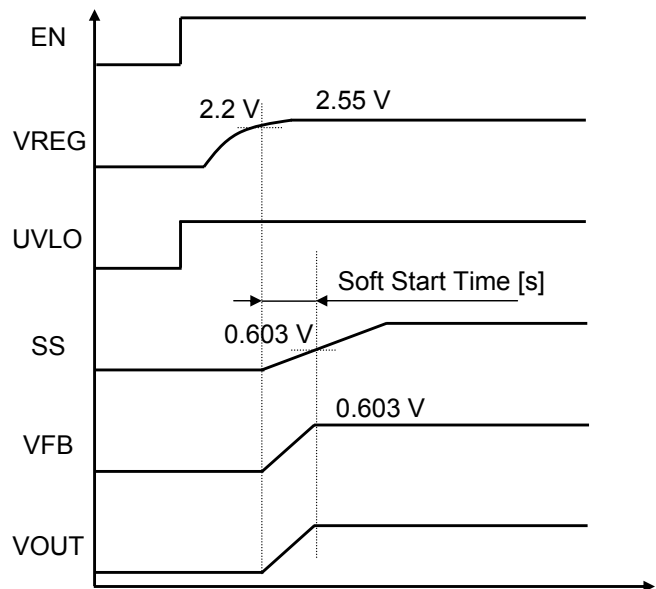
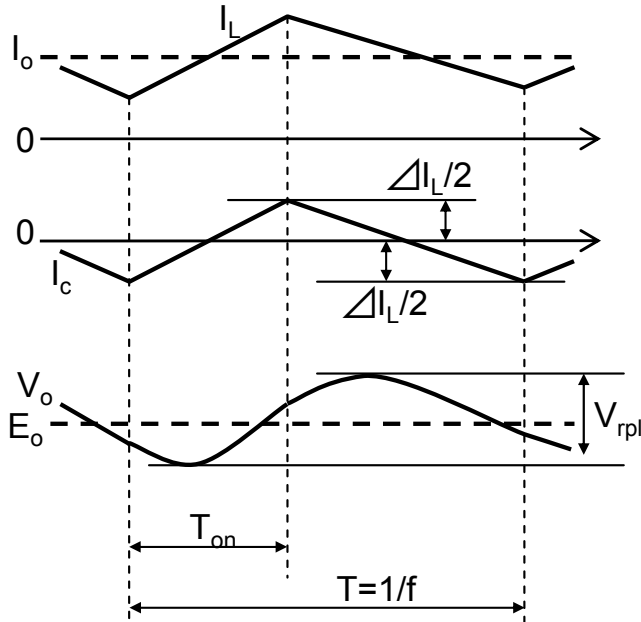


Figure : Soft Start Operation



**OPERATION (Continued)**

**5. Inductor and Output Capacitor Setting**



Highest efficiency operation is obtained at low frequency with small ripple current. However, achieving this requires a large inductor. There is a trade-off among component size, efficiency and operating frequency.

A reasonable starting point is to choose a ripple current that is about 40 % of  $I_o$  (Max.). The largest ripple current occurs at the highest  $E_i$ . To guarantee that ripple current does not exceed a specified maximum, the inductance should be chosen according to:

$$L_o \geq \frac{E_o \cdot (E_i - E_o)}{2E_i \cdot I_{ox} \cdot f} \quad (@ E_i = E_{i\_max})$$

And its maximum current rating is

$$I_{L\_max} = I_{o\_max} + \frac{\Delta I_L}{2} \quad (@ E_i = E_{i\_max})$$

The selection of  $C_o$  is primarily determined by the ESR ( $R_c$ ) required to minimize voltage ripple and load transients. The output ripple  $V_{rpl}$  is approximately bounded by:

$$\begin{aligned} V_{rpl} &= V_{op} - V_{ob} = E_i \cdot \frac{C_o \cdot R_c^2}{2L_o} + \frac{\Delta I_L}{8C_o \cdot f} \\ &= E_i \cdot \frac{C_o \cdot R_c^2}{2L_o} + \frac{E_o \cdot (E_i - E_o)}{8E_i \cdot L_o \cdot C_o \cdot f^2} \end{aligned}$$

Given the desired input and output voltages, the inductor value and operating frequency determine the ripple current.

$$\Delta I_L = \frac{E_o \cdot (E_i - E_o)}{E_i \cdot L_o \cdot f}$$

$$I_{ox} = \frac{\Delta I_L}{2}$$

From the above equation, to achieve desired output ripple, low ESR ceramic capacitors are recommended, and its required RMS current rating is:

$$I_{c(rms)\_max} = \frac{\Delta I_L}{2\sqrt{3}} \quad (@ E_i = E_{i\_max})$$

**OPERATION (Continued)**

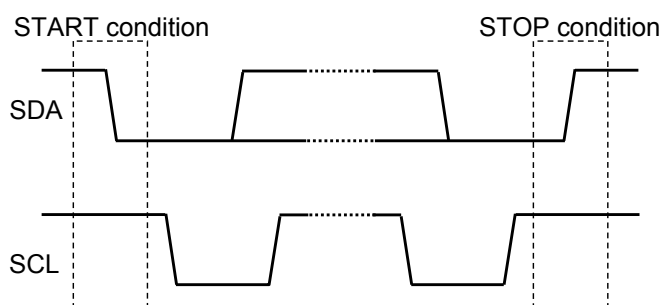
**6. I<sup>2</sup>C-bus Interface**

**a) Basic Rules**

- This IC, I<sup>2</sup>C-bus, is designed to correspond to the Standard-mode (100 kbps) and Fast-mode (400 kbps) devices in the version 2.1 of NXP's specification. However, it does not correspond to the H<sub>S</sub>-mode (to 3.4 Mbps).
- This IC will operate as a slave device in the I<sup>2</sup>C-bus system. This IC will not operate as a master device.
- The program operation check of this IC has not been conducted on the multi-master bus system and the mix-speed bus system, yet. The connected confirmation of this IC to the CBUS receiver also has not been checked. Please confirm with our company if the IC will be used in these mode systems.
- The I<sup>2</sup>C is the brand of NXP.

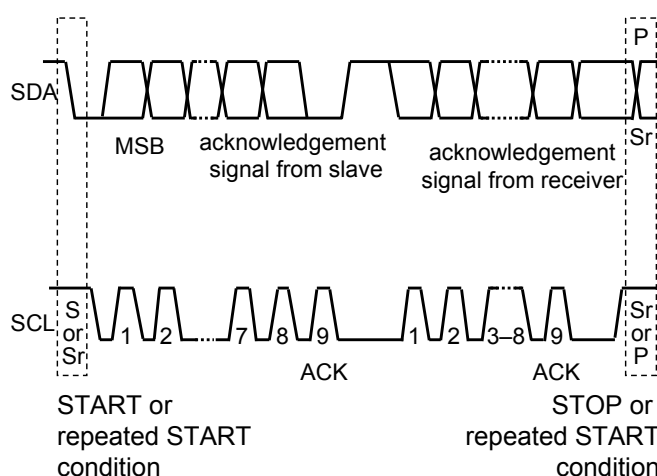
**b) START and STOP conditions**

- A High to Low transition on the SDA line while SCL is High is one such unique case. This situation indicates START condition. A Low to High transition on the SDA line while SCL is High defines STOP condition.
- START and STOP conditions are always generated by the master. After START condition occur, the bus will be busy. The bus is considered to be free again a certain time after the STOP condition.



**c) Transferring Data**

Every byte put on the SDA line must be 8-bits long. The number of bytes that can be transmitted per transfer is unrestricted. Each byte has to be followed by an acknowledge bit. Data is transferred with the most significant bit (MSB) first.





**OPERATION (Continued)**

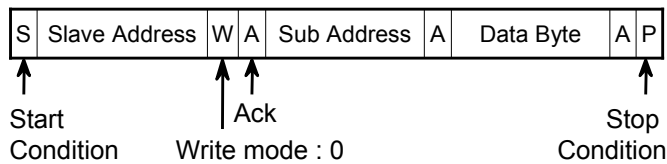
**6. I<sup>2</sup>C-bus Interface (Continued)**

**d) Data format**

Slave Address

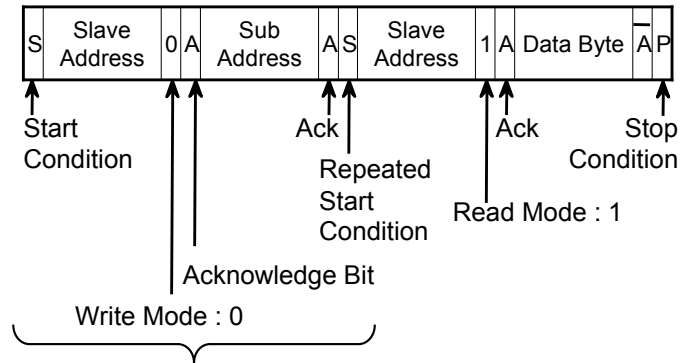
A6	A5	A4	A3	A2	A1	A0	R/W	Hex
1	1	1	0	0	1	0	x	72h

**Write mode**



**Read mode (Continued)**

**d2) When Sub address is specified**

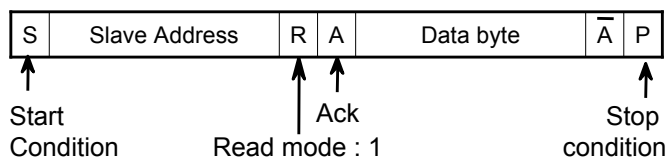


Sub-address should be assigned first.

**Read mode**

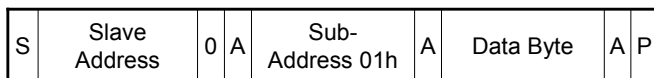
**d1) When Sub address is not specified**

When data is read without assigning sub-address, it is possible to read the value of sub-address specified in Write mode immediately before.

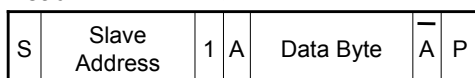


Ex) When writing data into address and reading data from "01 h".

Write



Read



**OPERATION (Continued)**

**6. I<sup>2</sup>C-bus Interface (Continued)**

Sub Address	R/W	Register Name	Bit	Data							
				D7	D6	D5	D4	D3	D2	D1	D0
10h	R/W	CNT	Name	—	FSEL[6:4]			—	—	FCCM	DCDCOFF
			Default	—	0	0	0	—	—	0	0
11h	R/W	DAC	Name	—	—	—	—	VDC[3:0]			
			Default	—	—	—	—	0	0	0	0

**Sub Address : 10h  
D6 – D4 (FSEL Setting)**

FSEL [6:4]			FREQUENCY (MHz)
D6	D5	D4	
0	0	0	1.00 (Default)
0	0	1	0.50
0	1	0	0.75
0	1	1	1.00
1	0	0	1.25
1	0	1	1.50
1	1	0	1.75
1	1	1	2.00

**Sub Address : 10h  
D0 : DCDCOFF**

0 : DC-DC ON (Default)  
1 : DC-DC OFF

**Sub Address : 10h  
D1 : FCCM**

0 : Pulse Skip Mode (Default)  
1 : Forced Continuous Conduction Mode

**Sub Address : 11h  
D6 – D4 (FSEL Setting)**

VDC [3:0]				Output Voltage [V]
D3	D2	D1	D0	
0	0	0	0	1.000 (Default)
0	0	0	1	0.880
0	0	1	0	0.895
0	0	1	1	0.910
0	1	0	0	0.925
0	1	0	1	0.940
0	1	1	0	0.955
0	1	1	1	0.970
1	0	0	0	0.985
1	0	0	1	1.000
1	0	1	0	1.015
1	0	1	1	1.030
1	1	0	0	1.045
1	1	0	1	1.060
1	1	1	0	1.075
1	1	1	1	1.090

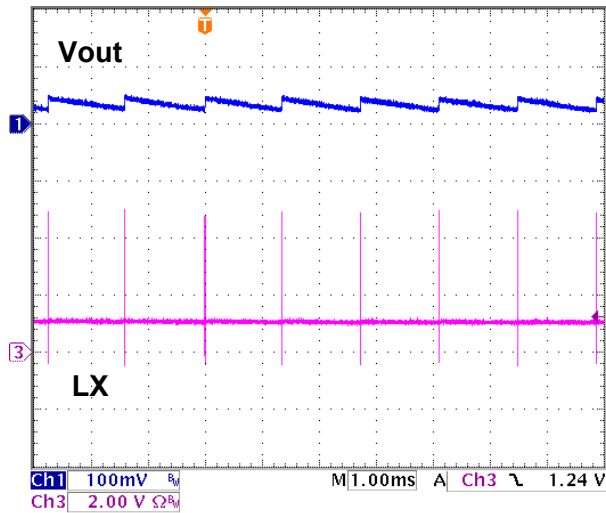
Note: The required output voltage is set by changing the DAC step by 1 bit at a time. An interval of more than 50 μs is required at every bit step while changing the DAC.

## TYPICAL CHARACTERISTICS CURVES

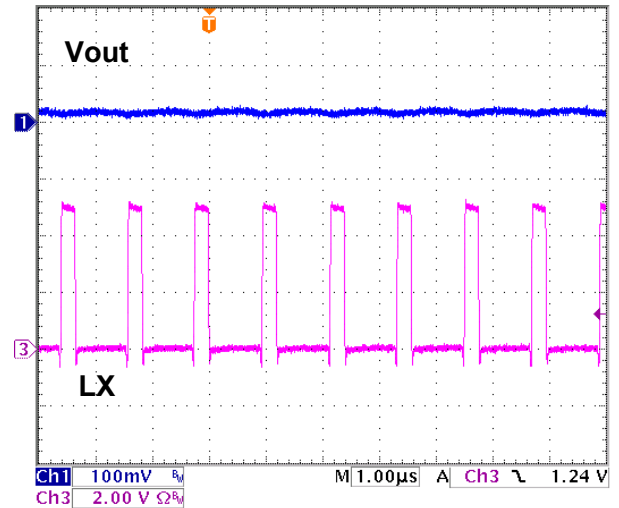
### (1) Output Ripple Voltage

Condition :  $V_{IN} = 5.0\text{ V}$ ,  $V_{OUT} = 1.0\text{ V}$ ,  $f_{SW} = 1.0\text{ MHz}$ , PSM,  $L_O = 1\text{ }\mu\text{H}$ ,  $C_O = 44\text{ }\mu\text{F}$  ( $22\text{ }\mu\text{F} \times 2$ ),

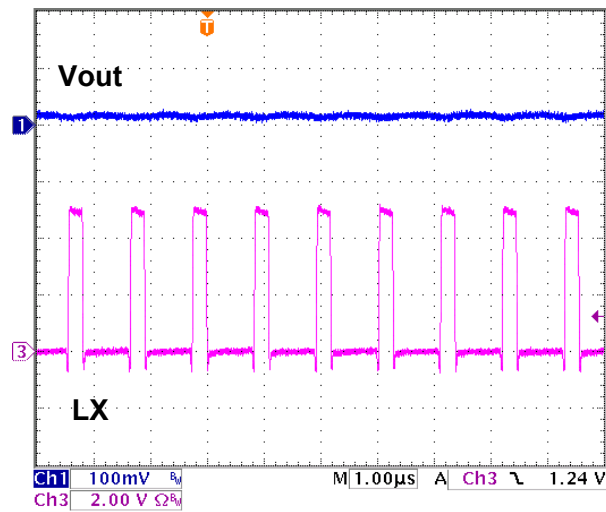
$I_{OUT} = 0\text{ A}$



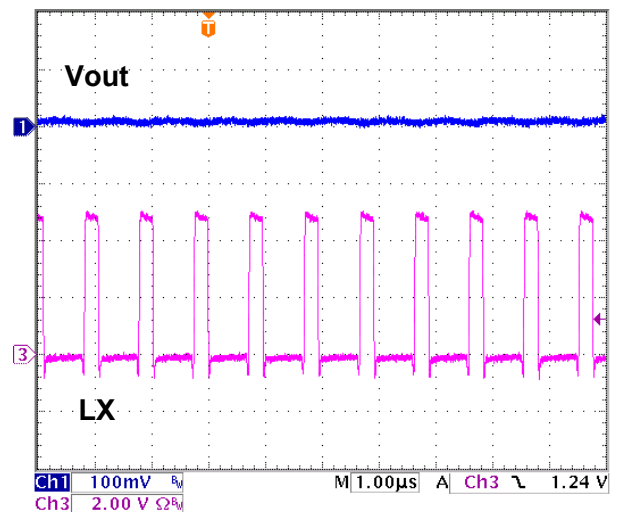
$I_{OUT} = 1\text{ A}$



$I_{OUT} = 3\text{ A}$



$I_{OUT} = 6\text{ A}$

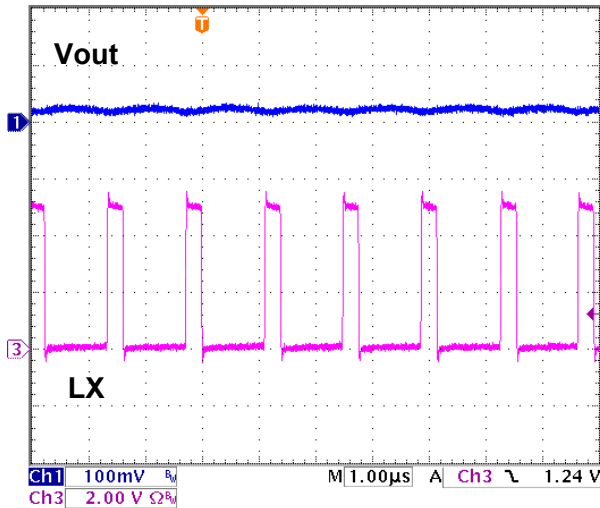


## TYPICAL CHARACTERISTICS CURVES (Continued)

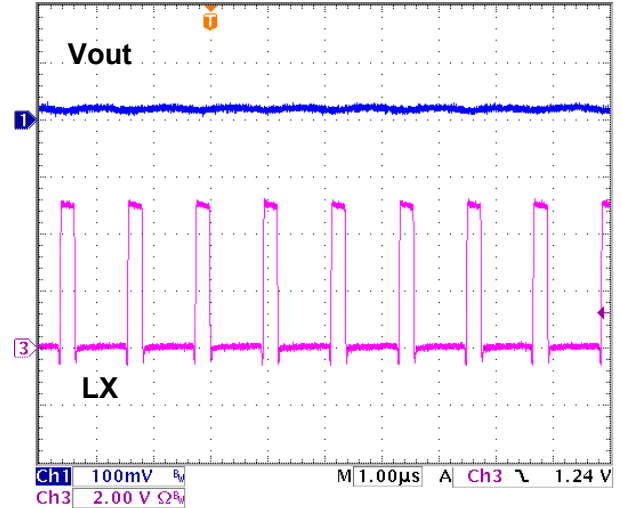
### (1) Output Ripple Voltage (Continued)

Condition :  $V_{IN} = 5.0\text{ V}$ ,  $V_{OUT} = 1.0\text{ V}$ ,  $f_{SW} = 1.0\text{ MHz}$ , FCCM,  $L_O = 1\text{ }\mu\text{H}$ ,  $C_O = 44\text{ }\mu\text{F}$  ( $22\text{ }\mu\text{F} \times 2$ ),

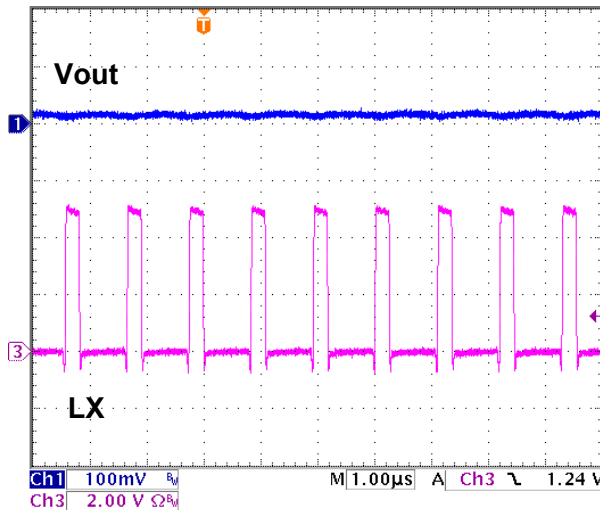
$I_{OUT} = 0\text{ A}$



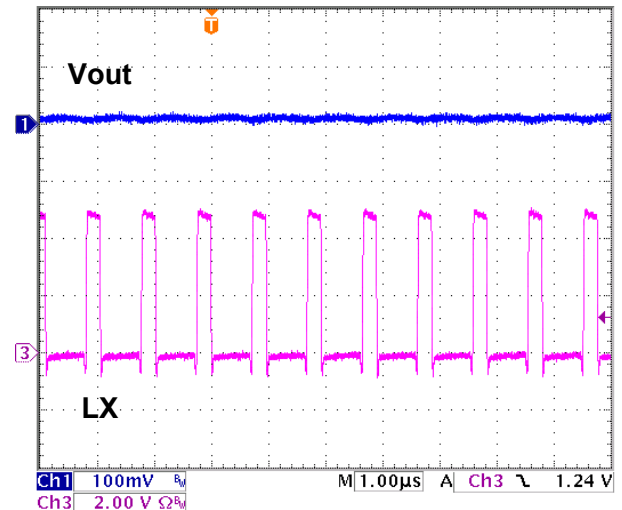
$I_{OUT} = 1\text{ A}$



$I_{OUT} = 3\text{ A}$



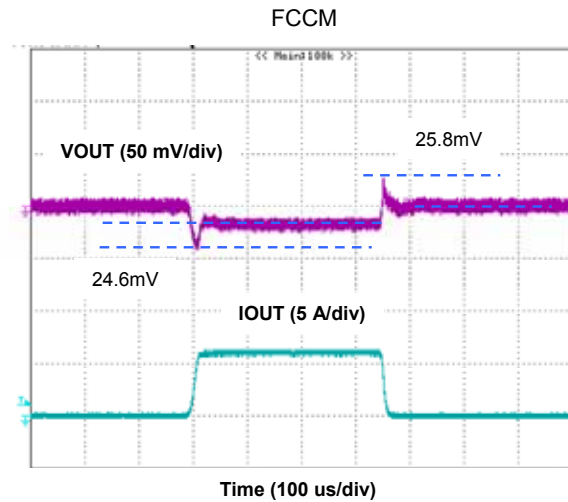
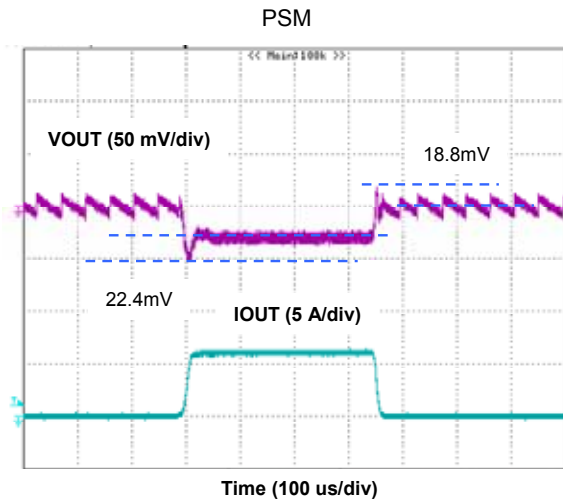
$I_{OUT} = 6\text{ A}$



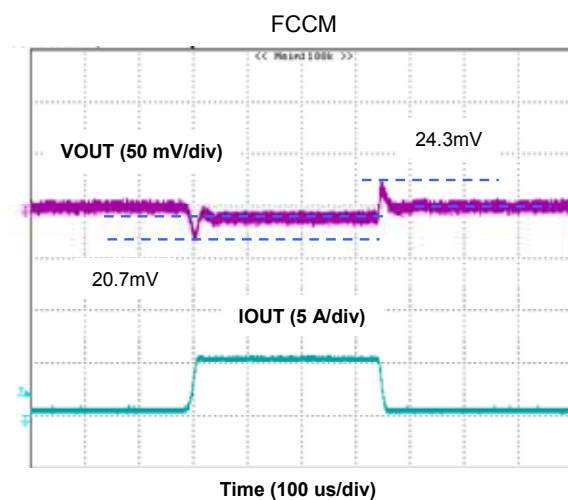
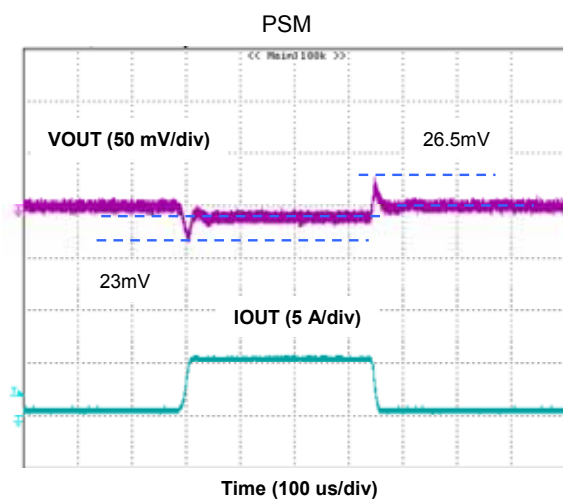
## TYPICAL CHARACTERISTICS CURVES (Continued)

### (2) Load transient response

Condition :  $V_{IN} = 5.0 \text{ V}$ ,  $V_{OUT} = 1.0 \text{ V}$ ,  $f_{SW} = 1.0 \text{ MHz}$ ,  $I_{OUT} = 10 \text{ mA to } 6 \text{ A ( } 0.5 \text{ A / } \mu\text{s )}$ ,  
 $L_O = 1 \mu\text{H}$ ,  $C_O = 44 \mu\text{F (} 22 \mu\text{F x } 2)$ ,



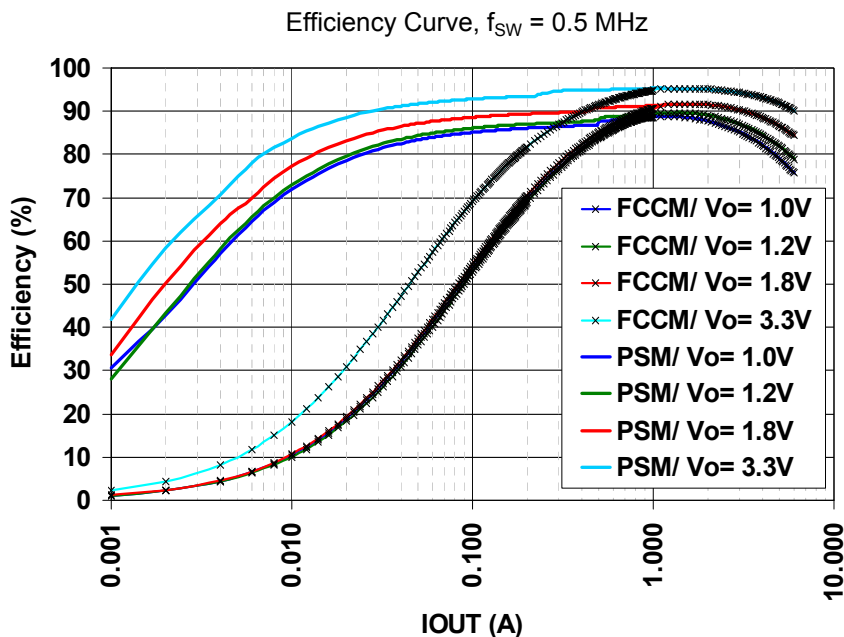
Condition :  $V_{IN} = 5 \text{ V}$ ,  $V_{OUT} = 1.0 \text{ V}$ ,  $f_{SW} = 1.0 \text{ MHz}$ ,  $I_{OUT} = 0.6 \text{ A to } 5.4 \text{ A ( } 0.5 \text{ A / } \mu\text{s )}$ ,  
 $L_O = 1 \mu\text{H}$ ,  $C_O = 44 \mu\text{F (} 22 \mu\text{F x } 2)$ ,



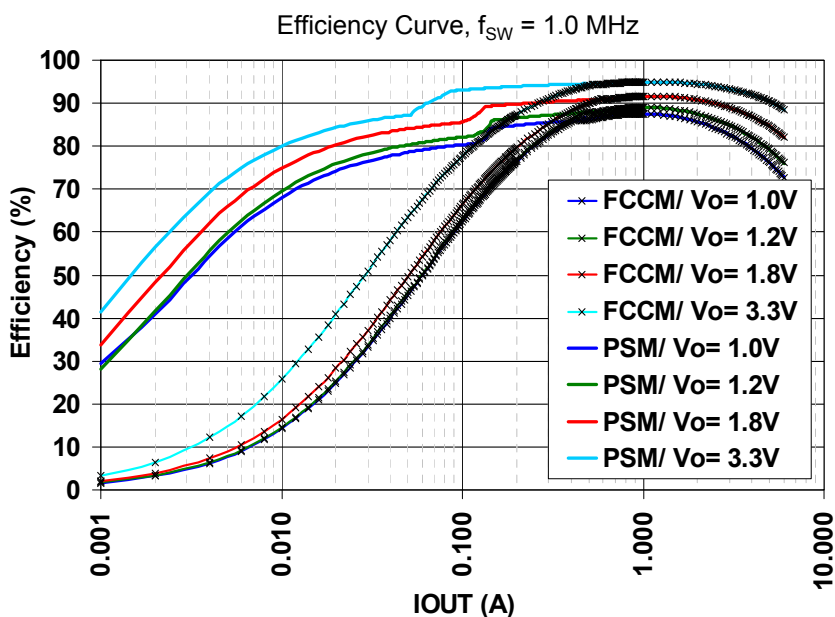
**TYPICAL CHARACTERISTICS CURVES (Continued)**

**(3) Efficiency**

Condition :  $V_{IN} = 5.0\text{ V}$ ,  $V_{OUT} = 1.0\text{ V} / 1.2\text{ V} / 1.8\text{ V} / 3.3\text{ V}$ ,  $f_{SW} = 0.5\text{ MHz}$   
 $L_O = 1\text{ }\mu\text{H}$ ,  $C_O = 44\text{ }\mu\text{F}$  (22  $\mu\text{F}$  x 2)



Condition :  $V_{IN} = 5.0\text{ V}$ ,  $V_{OUT} = 1.0\text{ V} / 1.2\text{ V} / 1.8\text{ V} / 3.3\text{ V}$ ,  $f_{SW} = 1.0\text{ MHz}$   
 $L_O = 1\text{ }\mu\text{H}$ ,  $C_O = 44\text{ }\mu\text{F}$  (22  $\mu\text{F}$  x 2)

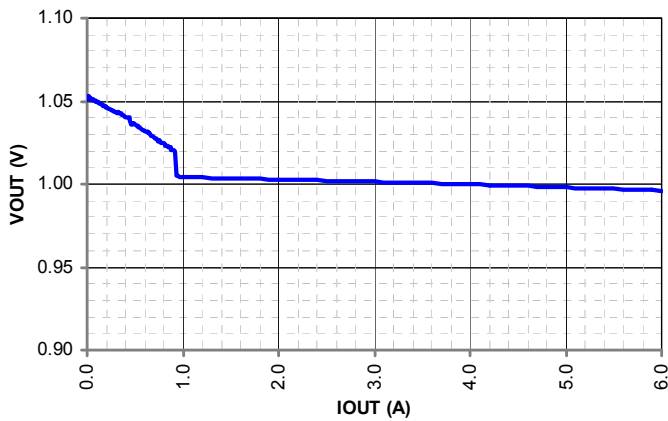


**TYPICAL CHARACTERISTICS CURVES (Continued)**

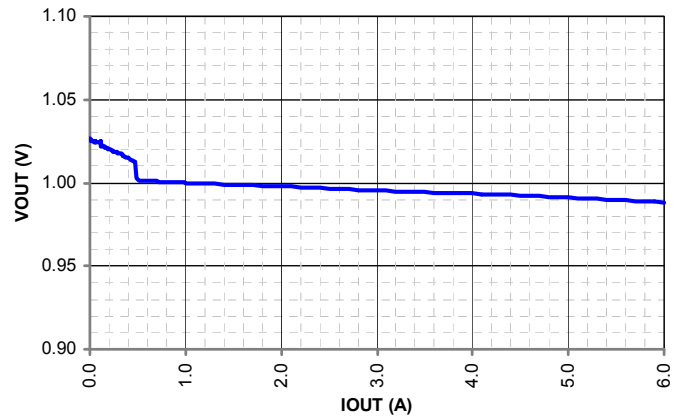
**(4) Load Regulation**

Condition :  $V_{IN} = 5.0\text{ V}$ ,  $V_{OUT} = 1.0\text{ V}$ ,  $f_{SW} = 0.5\text{ MHz}$ ,  $L_O = 1\text{ }\mu\text{H}$ ,  $C_O = 44\text{ }\mu\text{F}$  ( $22\text{ }\mu\text{F} \times 2$ )

Load regulation  $f_{SW} = 0.5\text{ MHz}$  PSM

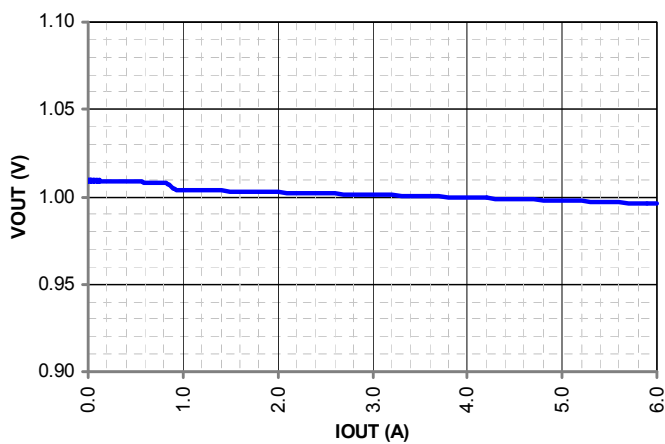


Load regulation  $f_{SW} = 0.5\text{ MHz}$  FCCM

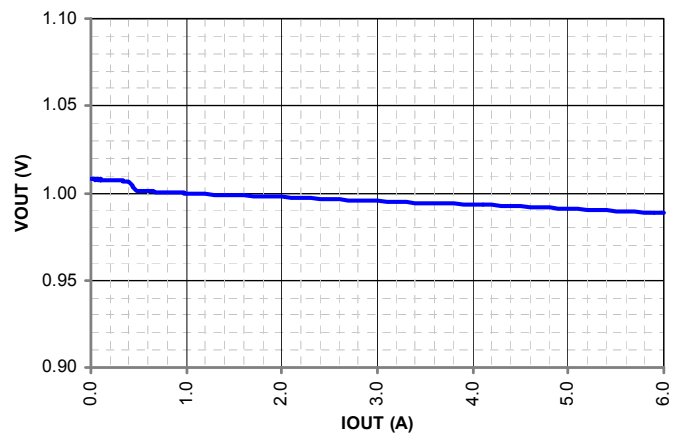


Condition :  $V_{IN} = 5.0\text{ V}$ ,  $V_{OUT} = 1.0\text{ V}$ ,  $f_{SW} = 1.0\text{ MHz}$ ,  $L_O = 1\text{ }\mu\text{H}$ ,  $C_O = 44\text{ }\mu\text{F}$  ( $22\text{ }\mu\text{F} \times 2$ )

Load regulation  $f_{SW} = 1.0\text{ MHz}$  PSM



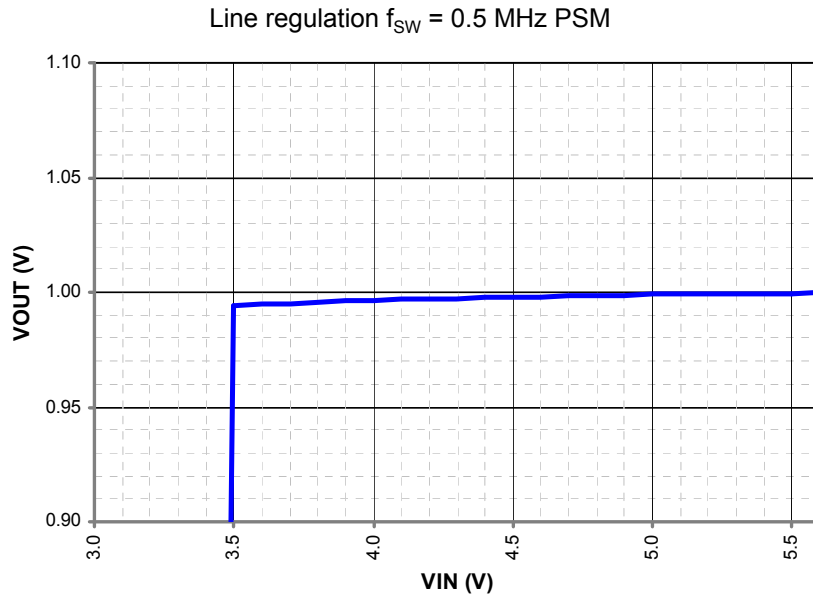
Load regulation  $f_{SW} = 1.0\text{ MHz}$  FCCM



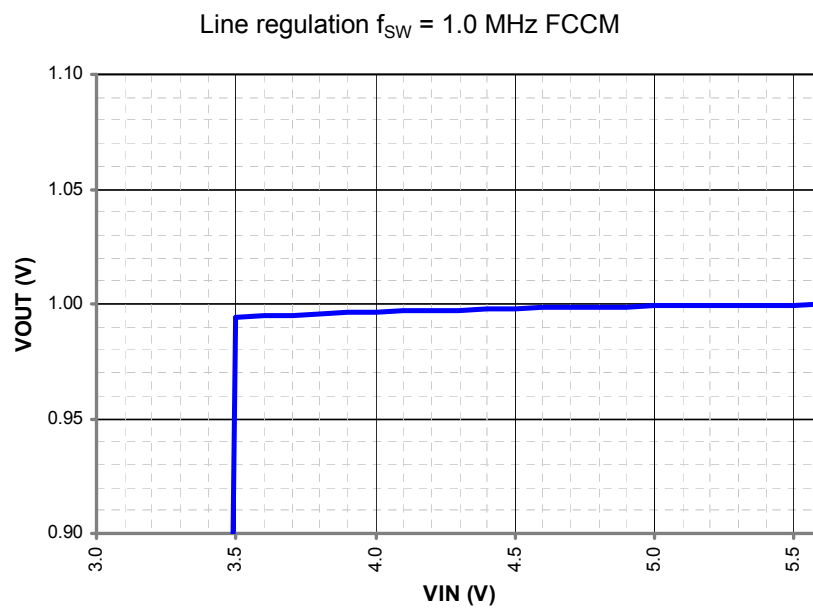
**TYPICAL CHARACTERISTICS CURVES (Continued)**

**(5) Line Regulation**

Condition :  $V_{OUT} = 1.0\text{ V}$ ,  $I_{OUT} = 1.5\text{ A}$ ,  $f_{SW} = 0.5\text{ MHz}$ , PSM,  $L_O = 1\text{ }\mu\text{H}$ ,  $C_O = 44\text{ }\mu\text{F}$  (22  $\mu\text{F}$  x 2)



Condition :  $V_{OUT} = 1.0\text{ V}$ ,  $I_{OUT} = 1.5\text{ A}$ ,  $f_{SW} = 1.0\text{ MHz}$ , FCCM,  $L_O = 1\text{ }\mu\text{H}$ ,  $C_O = 44\text{ }\mu\text{F}$  (22  $\mu\text{F}$  x 2)

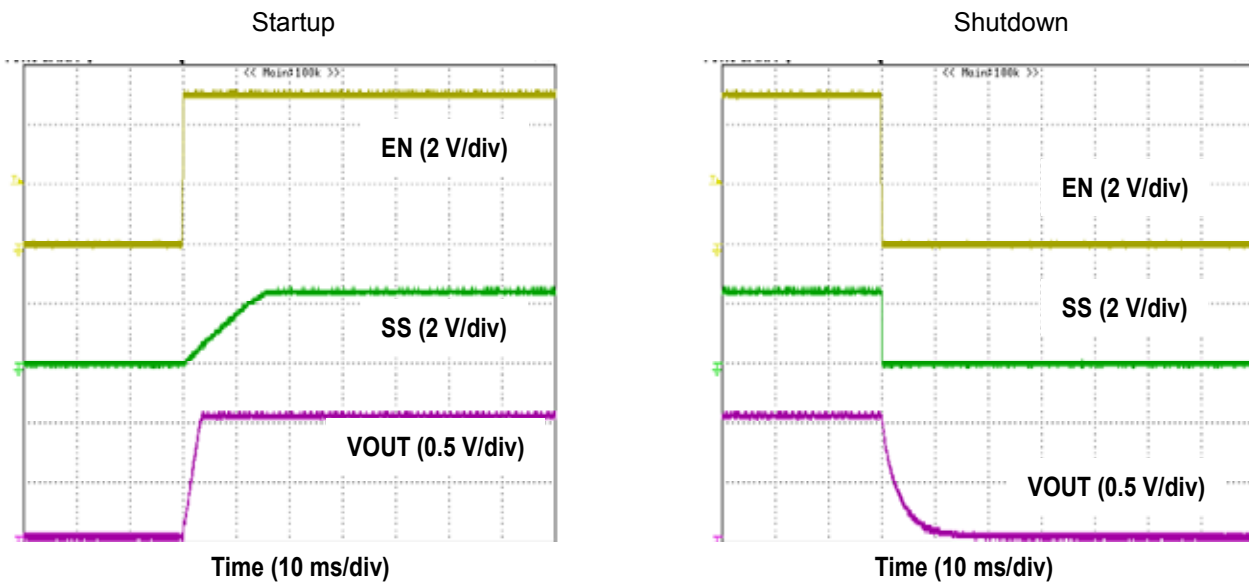




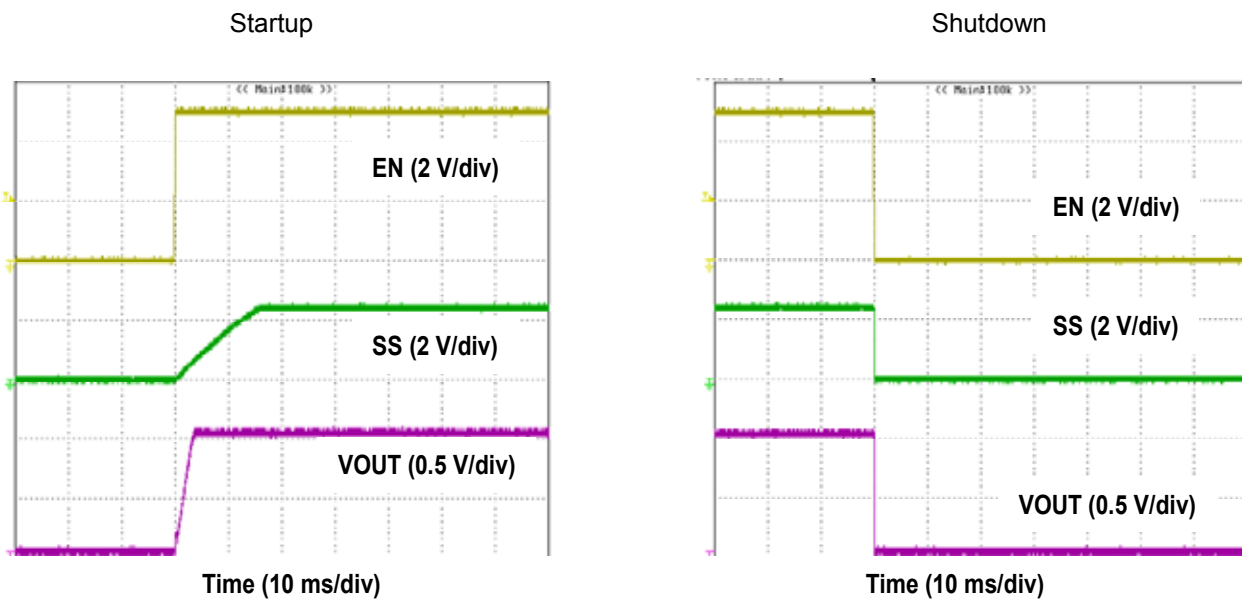
**TYPICAL CHARACTERISTICS CURVES (Continued)**

**(6) Startup / Shutdown**

Condition :  $V_{IN} = 5.0\text{ V}$ ,  $V_{OUT} = 1.0\text{ V}$ ,  $f_{SW} = 1\text{ MHz}$ , PSM,  $I_{OUT} = 0\text{ A}$ ,  $L_O = 1\text{ }\mu\text{H}$ ,  $C_O = 44\text{ }\mu\text{F}$  ( $22\text{ }\mu\text{F} \times 2$ )



Condition :  $V_{IN} = 5.0\text{ V}$ ,  $V_{OUT} = 1.0\text{ V}$ ,  $f_{SW} = 1\text{ MHz}$ , PSM,  $R_{OUT} = 0.5\text{ }\Omega$ ,  $L_O = 1\text{ }\mu\text{H}$ ,  $C_O = 44\text{ }\mu\text{F}$  ( $22\text{ }\mu\text{F} \times 2$ )

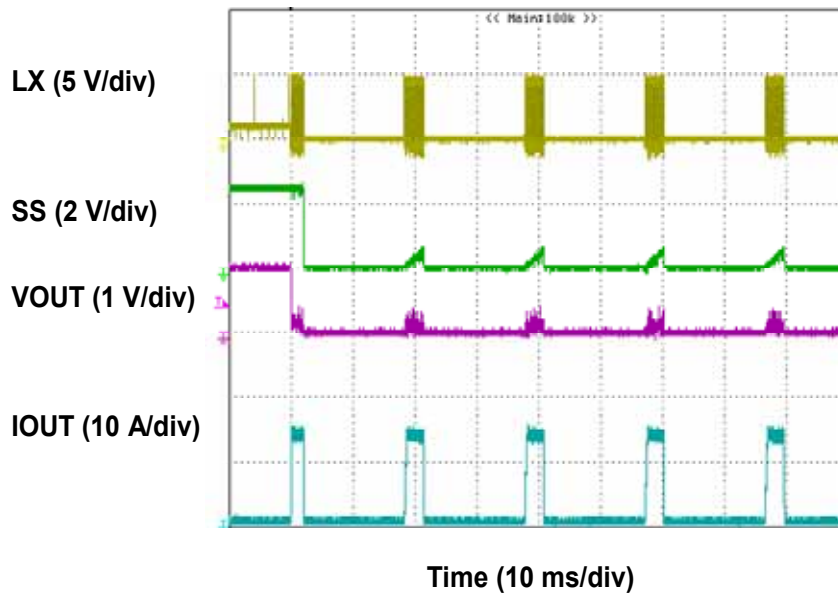


**TYPICAL CHARACTERISTICS CURVES (Continued)**

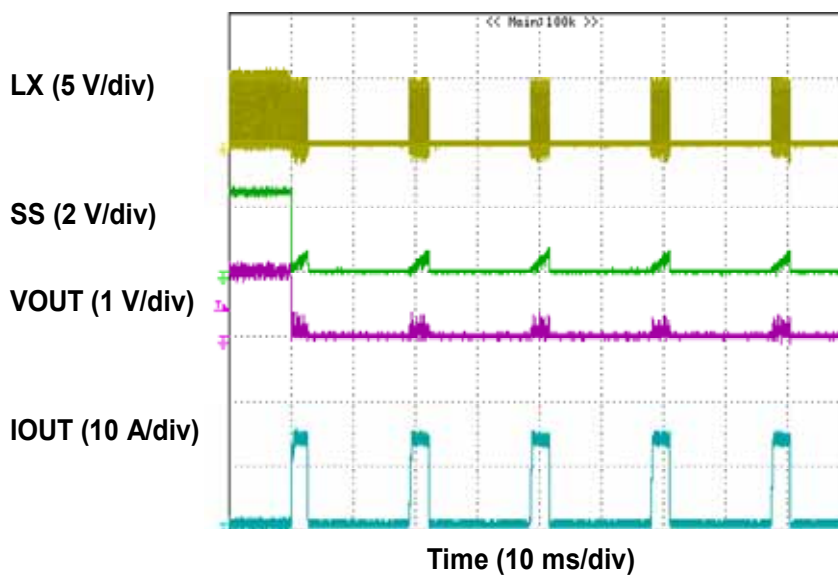
**(7) Short Current Protection**

Condition :  $V_{IN} = 5.0\text{ V}$ ,  $V_{OUT} = 1.0\text{ V}$ ,  $f_{SW} = 1\text{ MHz}$ ,  $L_O = 1\text{ }\mu\text{H}$ ,  $C_O = 44\text{ }\mu\text{F}$  (22  $\mu\text{F} \times 2$ )

PSM



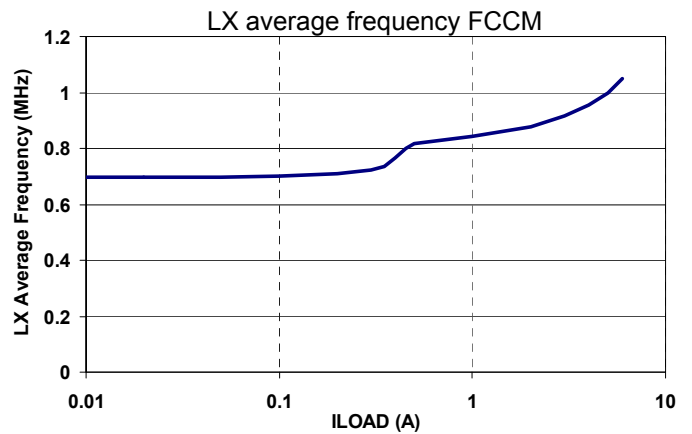
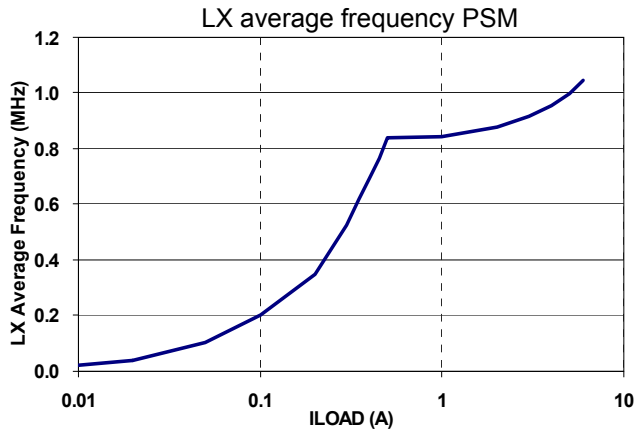
FCCM



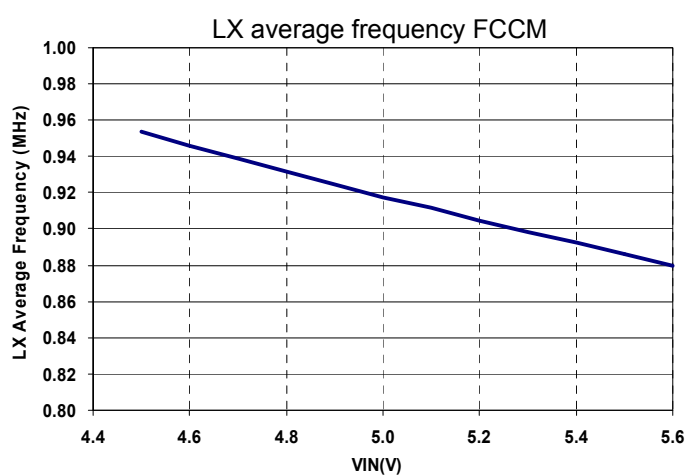
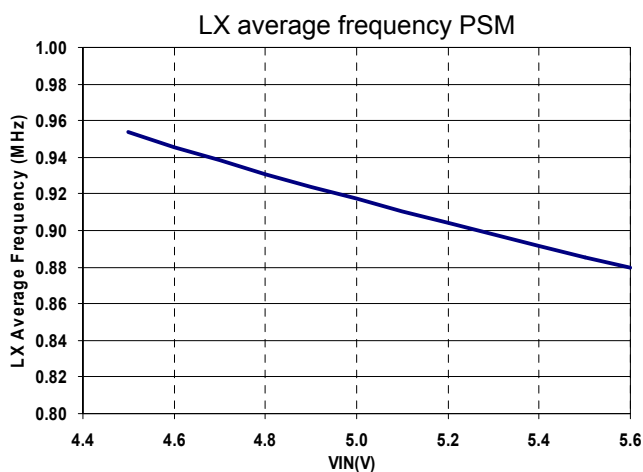
TYPICAL CHARACTERISTICS CURVES (Continued)

(8) Switching frequency

Condition :  $V_{IN} = 5.0\text{ V}$ ,  $V_{OUT} = 1.0\text{ V}$ ,  $f_{SW} = 1\text{ MHz}$ ,  $I_{OUT} = 1\text{ mA to }6\text{ A}$ ,  $L_O = 1\text{ }\mu\text{H}$ ,  $C_O = 44\text{ }\mu\text{F}$  ( $22\text{ }\mu\text{F} \times 2$ )



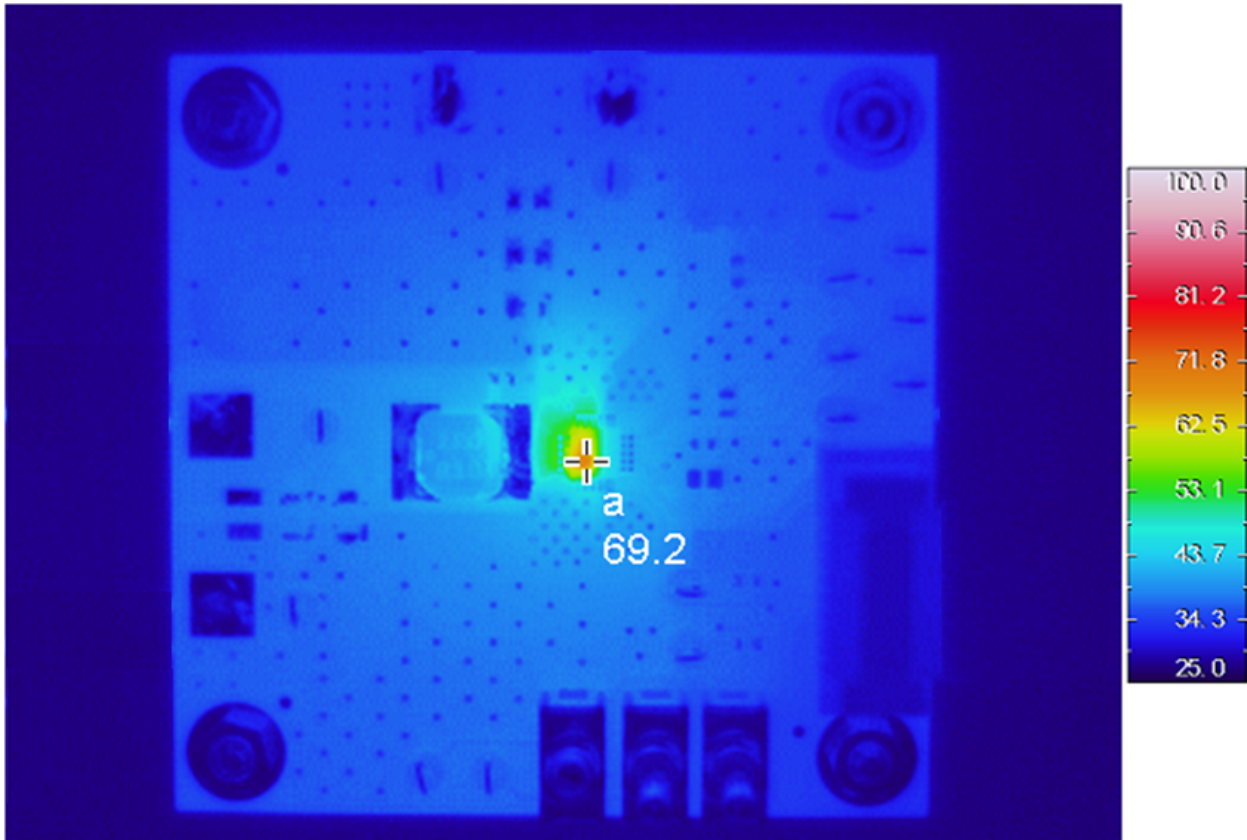
Condition :  $V_{OUT} = 1.0\text{ V}$ ,  $f_{SW} = 1\text{ MHz}$ ,  $I_{OUT} = 3\text{ A}$ ,  $L_O = 1\text{ }\mu\text{H}$ ,  $C_O = 44\text{ }\mu\text{F}$  ( $22\text{ }\mu\text{F} \times 2$ )



**TYPICAL CHARACTERISTICS CURVES (Continued)**

**(9) Thermal performance**

Condition :  $V_{IN} = 5.0\text{ V}$ ,  $V_{OUT} = 1.0\text{ V}$ ,  $f_{SW} = 1\text{ MHz}$ ,  $I_{OUT} = 5\text{ A}$ , FCCM,  $L_O = 1\text{ }\mu\text{H}$ ,  $C_O = 44\text{ }\mu\text{F}$  ( $22\text{ }\mu\text{F} \times 2$ )



**APPLICATION INFORMATION**

**1. Evaluation Board Information**

Condition :  $V_{OUT}$  Setting = 1.0 V,  $f_{sw}$  = 1 MHz, PSM

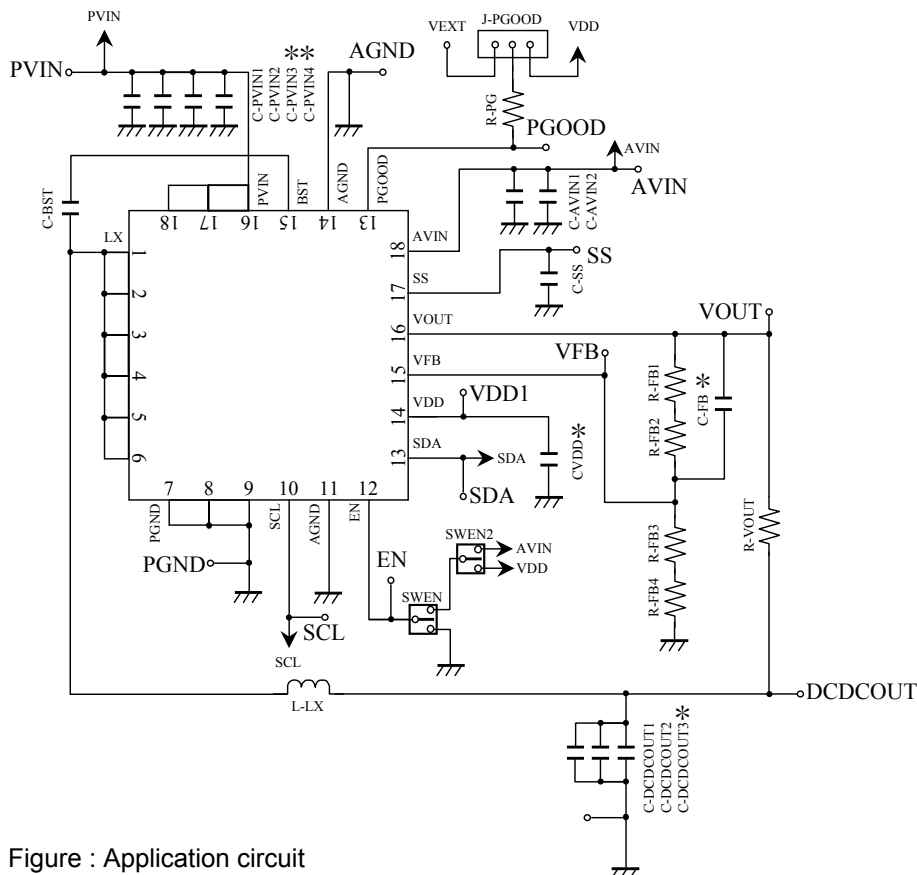


Figure : Application circuit

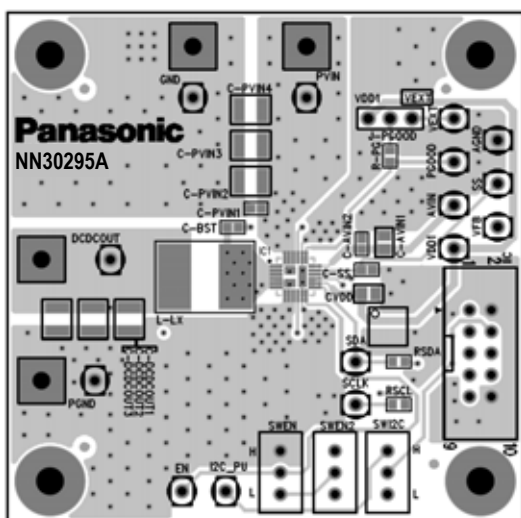


Figure : Top Layer with silk screen  
 (Top View) with Evaluation board

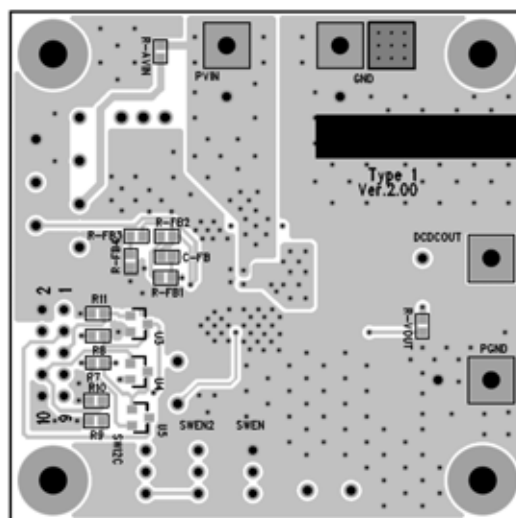


Figure : Bottom Layer with silk screen  
 (Bottom View) with Evaluation board

Note : The application circuit diagram and layout diagram explained in this section, should be used as reference examples. The operation of the mass production set is not guaranteed. Sufficient evaluation and verification is required in the design of the mass production set. The Customer is fully responsible for the incorporation of the above illustrated application circuit and the information attached with it, in the design of the equipment.

## APPLICATION INFORMATION (Continued)

### 2. Layout recommendations

Board layout considerations are necessary for stable operation of the DC-DC regulator. The following precautions must be used when designing the board layout.

(a) The Input capacitor  $C_{IN}$  must be placed in such a way that the distance between PVIN and PGND is minimum, in order to suppress the switching noise. Stray inductance and impedance should be reduced as indicated by loop (1) in the figure below.

(b) A single point ground connection (2) must be used to connect PGND and AGND to improve operation stability.

(c) Output current line  $I_{OUT}$  and the output sense line VOUT must have small common impedance to reduce output load variations. Output sense line VOUT must be close to the output condenser  $C_O$  as indicated by (3) below.

(d) Power Loss and output ripple voltage can be reduced by placing the inductor  $L_O$  and output capacitor  $C_O$  such that the stray inductance and the impedance of loop (4) is minimum. This is realized by :

- i) Minimizing distance between inductor  $L_O$  and LX pin.
- ii) Reducing distance between output capacitor  $C_O$  and (2) / (3)

(e) Thick lines in the application circuit example represent lines with large current flow. These lines should be designed as thick as possible.

(f) VFB / SS lines should be placed far away from LX line, BST line and inductor  $L_O$  to reduce the effects of switching noise. These lines should be designed as short as possible. This is especially true for the VFB line, which is a high impedance line.

(g)  $R_{FB1}$  /  $R_{FB2}$  should also be placed as far away as possible from LX line, BST line and inductor  $L_O$  to minimize the effects of switching noise.  $R_{FB1}$  /  $R_{FB2}$  should be placed close to the VFB pin.

(h) LX / BST lines are noisy lines. They should be designed as short as possible.

Note : The application circuit diagram and layout diagram explained in this section, should be used as reference examples. The operation of the mass production set is not guaranteed. Sufficient evaluation and verification is required in the design of the mass production set. The Customer is fully responsible for the incorporation of the above illustrated application circuit and the information attached with it, in the design of the equipment.

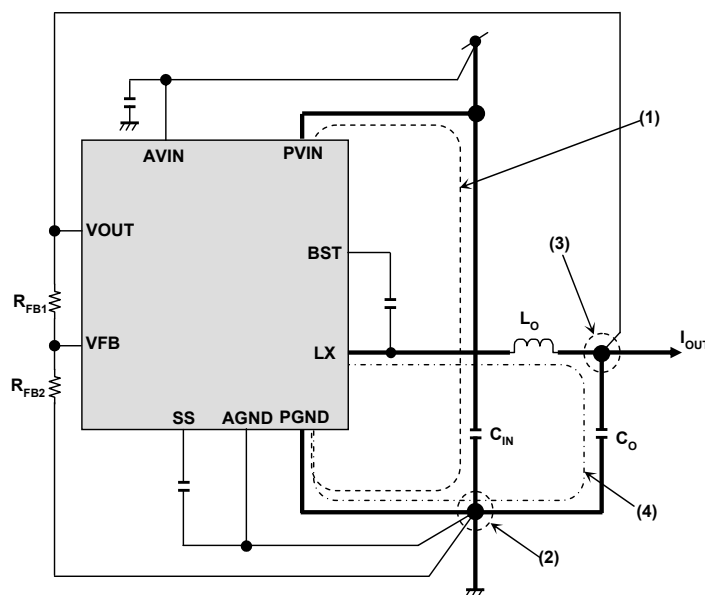


Figure : Application circuit diagram

**APPLICATION INFORMATION (Continued)**

**3. Recommended components**

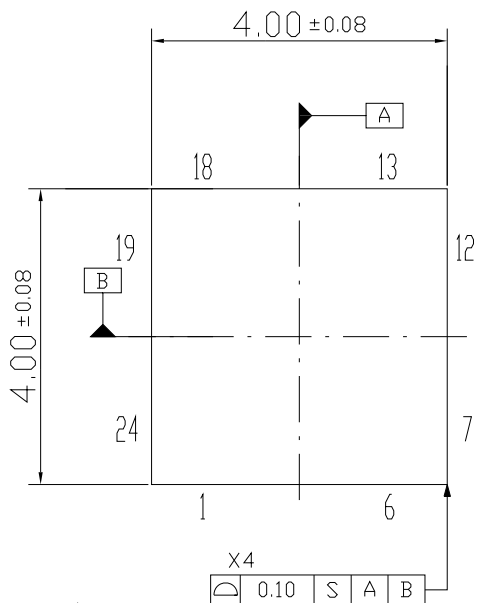
Reference Designator	QTY	Value	Manufacturer	Part Number
C-AVIN1	1	10 $\mu$ F	Murata	GRM21BR71A106KE51L
C-AVIN2	1	0.1 $\mu$ F	Murata	GRM188R72A104KA35L
C-BST	1	0.1 $\mu$ F	Murata	GRM188R72A104KA35L
C-DCDCOUT	2	22 $\mu$ F	Murata	GRM31CR71A226KE15L
C-PVIN1	1	0.1 $\mu$ F	Murata	GRM188R72A104KA35L
C-PVIN2, C-PVIN3	2	22 $\mu$ F	Murata	GRM31CR71A226KE15L
C-SS	1	10 nF	Murata	GRM188R72A103KA01L
L-LX	1	1.0 $\mu$ H	Panasonic	ETQP3W1R0WFN
R-AVIN	1	0 $\Omega$	Panasonic	ERJ3GEY0R00V
R-FB1, R-FB4 *1	2	0 $\Omega$	Panasonic	ERJ3GEY0R00V
R-FB2 *1	1	1.0 k $\Omega$	Panasonic	ERJ3EKF1001V
R-FB3 *1	1	1.5 k $\Omega$	Panasonic	ERJ3EKF1501V
R-PG	1	100 k $\Omega$	Panasonic	ERJ3EKF1003V

Note : \*1 : The indicated values are for  $V_{OUT} = 1.0$  V setting  
For different VOUT setting, refer to the explanations in " OPERATION " section  
under " 2. Output Voltage Setting "

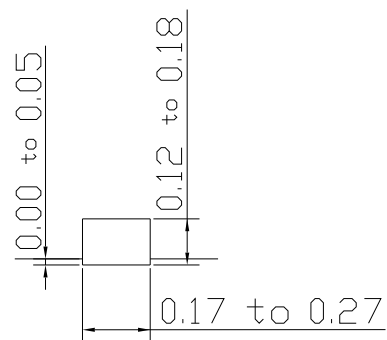
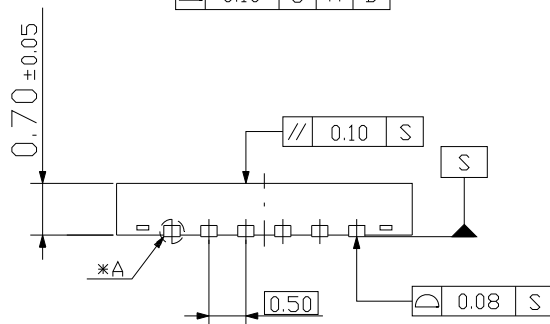
**PACKAGE INFORMATION**

**Outline Drawing**

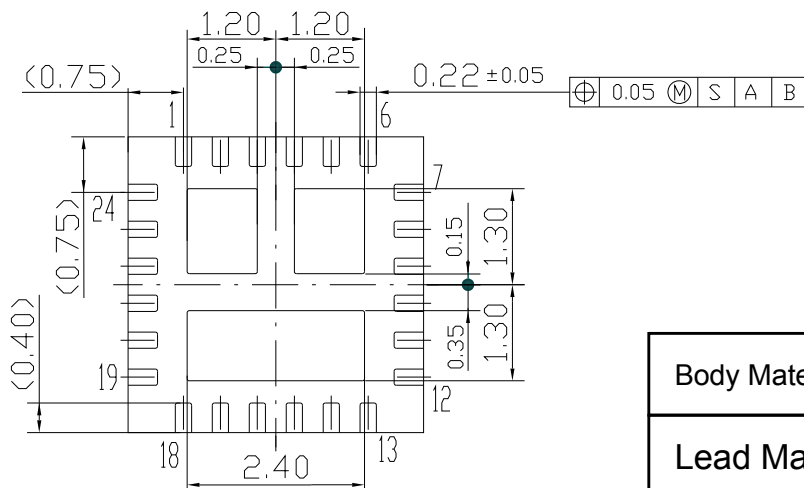
Package Code : HQFN024-A3-0404A



Unit:mm



Detail \*A (Reference)



Body Material : Br/Sb Free Epoxy Resin
Lead Material : Cu Alloy
Lead Finish Method : Pd Plating



### IMPORTANT NOTICE

1. When using the IC for new models, verify the safety including the long-term reliability for each product.
2. When the application system is designed by using this IC, please confirm the notes in this book.  
Please read the notes to descriptions and the usage notes in the book.
3. This IC is intended to be used for general electronic equipment.  
Consult our sales staff in advance for information on the following applications: Special applications in which exceptional quality and reliability are required, or if the failure or malfunction of this IC may directly jeopardize life or harm the human body.  
Any applications other than the standard applications intended.
  - (1) Space appliance (such as artificial satellite, and rocket)
  - (2) Traffic control equipment (such as for automotive, airplane, train, and ship)
  - (3) Medical equipment for life support
  - (4) Submarine transponder
  - (5) Control equipment for power plant
  - (6) Disaster prevention and security device
  - (7) Weapon
  - (8) Others : Applications of which reliability equivalent to (1) to (7) is requiredOur company shall not be held responsible for any damage incurred as a result of or in connection with the IC being used for any special application, unless our company agrees to the use of such special application.  
However, for the IC which we designate as products for automotive use, it is possible to be used for automotive.
4. This IC is neither designed nor intended for use in automotive applications or environments unless the IC is designated by our company to be used in automotive applications.  
Our company shall not be held responsible for any damage incurred by customers or any third party as a result of or in connection with the IC being used in automotive application, unless our company agrees to such application in this book.
5. Please use this IC in compliance with all applicable laws and regulations that regulate the inclusion or use of controlled substances, including without limitation, the EU RoHS Directive. Our company shall not be held responsible for any damage incurred as a result of our IC being used by our customers, not complying with the applicable laws and regulations.
6. Pay attention to the direction of the IC. When mounting it in the wrong direction onto the PCB (printed-circuit-board), it might be damaged.
7. Pay attention in the PCB (printed-circuit-board) pattern layout in order to prevent damage due to short circuit between pins. In addition, refer to the Pin Description for the pin configuration.
8. Perform visual inspection on the PCB before applying power, otherwise damage might happen due to problems such as solder-bridge between the pins of the IC. Also, perform full technical verification on the assembly quality, because the same damage possibly can happen due to conductive substances, such as solder ball, that adhere to the IC during transportation.
9. Take notice in the use of this IC that it might be damaged when an abnormal state occurs such as output pin-VCC short (Power supply fault), output pin-GND short (Ground fault), or output-to-output-pin short (load short). Safety measures such as installation of fuses are recommended because the extent of the above-mentioned damage will depend on the current capability of the power supply.
10. The protection circuit is for maintaining safety against abnormal operation. Therefore, the protection circuit should not work during normal operation.  
Especially for the thermal protection circuit, if the area of safe operation or the absolute maximum rating is momentarily exceeded due to output pin to VCC short (Power supply fault), or output pin to GND short (Ground fault), the IC might be damaged before the thermal protection circuit could operate.
11. Unless specified in the product specifications, make sure that negative voltage or excessive voltage are not applied to the pins because the IC might be damaged, which could happen due to negative voltage or excessive voltage generated during the ON and OFF timing when the inductive load of a motor coil or actuator coils of optical pick-up is being driven.
12. Product which has specified ASO (Area of Safe Operation) should be operated in ASO
13. Verify the risks which might be caused by the malfunctions of external components.
14. Connect the metallic plates (fins) on the back side of the IC with their respective potentials (AGND, PVIN, LX). The thermal resistance and the electrical characteristics are guaranteed only when the metallic plates (fins) are connected with their respective potentials.

## Request for your special attention and precautions in using the technical information and semiconductors described in this book

- (1) If any of the products or technical information described in this book is to be exported or provided to non-residents, the laws and regulations of the exporting country, especially, those with regard to security export control, must be observed.
- (2) The technical information described in this book is intended only to show the main characteristics and application circuit examples of the products. No license is granted in and to any intellectual property right or other right owned by Panasonic Corporation or any other company. Therefore, no responsibility is assumed by our company as to the infringement upon any such right owned by any other company which may arise as a result of the use of technical information described in this book.
- (3) The products described in this book are intended to be used for general applications (such as office equipment, communications equipment, measuring instruments and household appliances), or for specific applications as expressly stated in this book.  
Consult our sales staff in advance for information on the following applications:
  - Special applications (such as for airplanes, aerospace, automotive equipment, traffic signaling equipment, combustion equipment, life support systems and safety devices) in which exceptional quality and reliability are required, or if the failure or malfunction of the products may directly jeopardize life or harm the human body.It is to be understood that our company shall not be held responsible for any damage incurred as a result of or in connection with your using the products described in this book for any special application, unless our company agrees to your using the products in this book for any special application.
- (4) The products and product specifications described in this book are subject to change without notice for modification and/or improvement. At the final stage of your design, purchasing, or use of the products, therefore, ask for the most up-to-date Product Standards in advance to make sure that the latest specifications satisfy your requirements.
- (5) When designing your equipment, comply with the range of absolute maximum rating and the guaranteed operating conditions (operating power supply voltage and operating environment etc.). Especially, please be careful not to exceed the range of absolute maximum rating on the transient state, such as power-on, power-off and mode-switching. Otherwise, we will not be liable for any defect which may arise later in your equipment.  
Even when the products are used within the guaranteed values, take into the consideration of incidence of break down and failure mode, possible to occur to semiconductor products. Measures on the systems such as redundant design, arresting the spread of fire or preventing glitch are recommended in order to prevent physical injury, fire, social damages, for example, by using the products.
- (6) Comply with the instructions for use in order to prevent breakdown and characteristics change due to external factors (ESD, EOS, thermal stress and mechanical stress) at the time of handling, mounting or at customer's process. When using products for which damp-proof packing is required, satisfy the conditions, such as shelf life and the elapsed time since first opening the packages.
- (7) This book may be not reprinted or reproduced whether wholly or partially, without the prior written permission of our company.