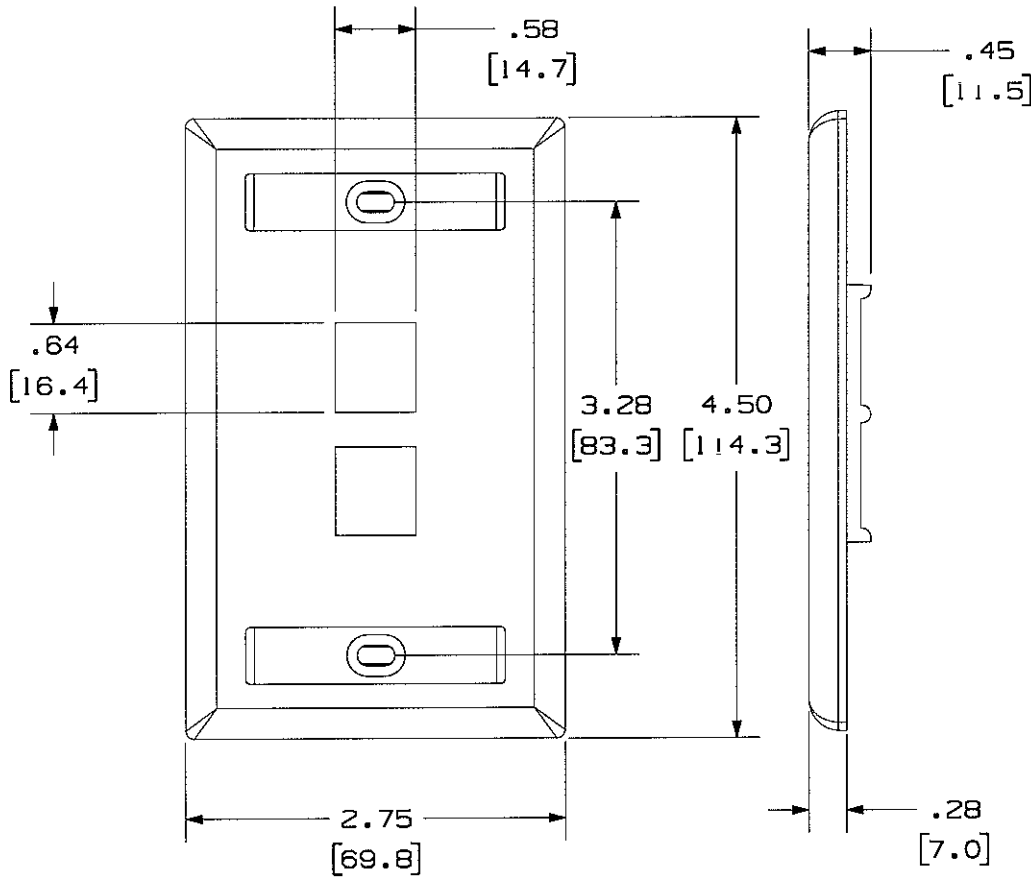
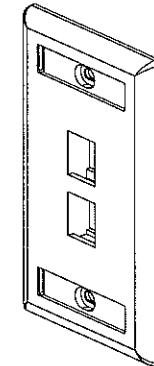


THIS COPY IS PROVIDED ON A RESTRICTED BASIS AND IS NOT TO BE USED IN ANY WAY DETRIMENTAL TO THE INTERESTS OF PANDUIT CORP.



PANDUIT P/N	WEIGHT
NK2F**Y	.49 LB/10 PCS (224 g/10 PCS)

- NOTES:
- SEE CURRENT CATALOG FOR ADDITIONAL PART SUFFIXES TO INDICATE COLOR AND OR PACKAGE QUANTITY.
 - FACEPLATE WILL ACCEPT TWO STANDARD NETKEY MODULES.
 - PART INCLUDES:
 - 1- FACEPLATE
 - 2- MOUNTING SCREW
 - 2- LABEL
 - 2- LABEL COVER
 - DIMENSIONS IN [] ARE IN METRIC.



MODEL FILENAME	M00661BC_KEYSTONEFP2_01.PRT	SIZE	A
DRAWING FILENAME	M02479BF_DC032_00B.PRT		

NETKEY 2 POSITION SINGLE GANG
FACEPLATE WITH LABEL
CUSTOMER DRAWING

<p>PANDUIT® CORP. TINLEY PARK, IL 60477</p>	1.1. NUMBER	N/A
	PRODUCT SPEC	N/A
	WORK INSTRUCTION	N/A
	SCALE	NONE
<p>THIRD ANGLE PROJECTION</p>	<p>ALL DIMENSIONS ARE GIVEN IN INCHES, UNLESS OTHERWISE SPECIFIED.</p> <p>DIMENSIONAL TOLERANCES ARE: (.X) ±.03 (.XXX) ±.005 (.XX) ±.01 ANGLES ± 1°</p>	
DRAWN BY JsP	MATERIAL:	PART NO. NK2F**Y
DATE 7-29-06	ABS	DRAWING NO. 02479-032
CHK'D MJD		

REV	DATE	BY	CHK	DESCRIPTION	ECN	R	CUST	SUP	OTH
1	10-26-06	JsP	MJD	A. REVISED INCORRECT PART NUMBER.	02479-032				
R	7-29-06	JsP	MJD	RELEASED TO PRODUCTION	02479-032	MJD	MJD	MJD	