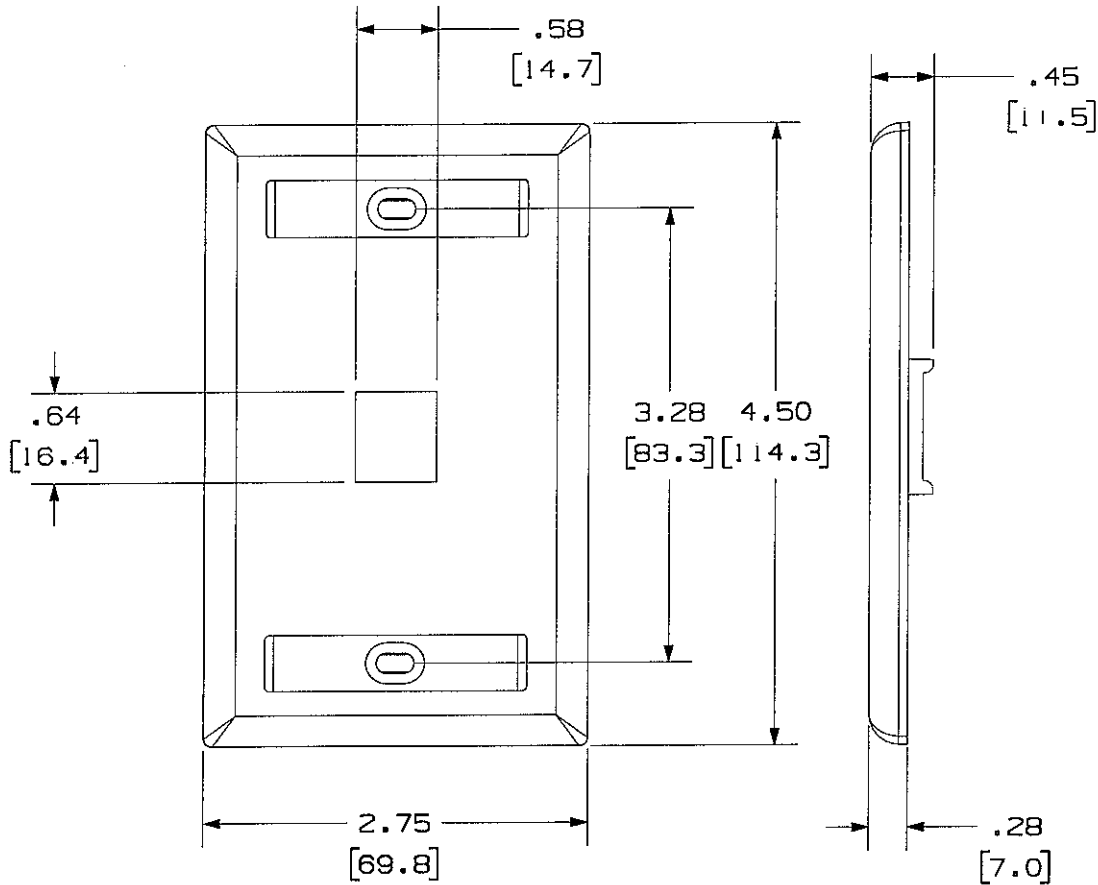
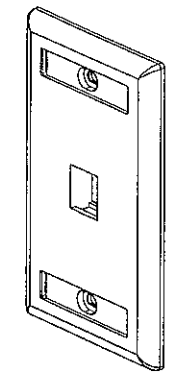


THIS COPY IS PROVIDED ON A RESTRICTED BASIS AND IS NOT TO BE USED IN ANY WAY DETRIMENTAL TO THE INTERESTS OF PANDUIT CORP.



PANDUIT P/N	WEIGHT
NKIF**Y	.49 LB/10 PCS (222 g/10 PCS)

- NOTES:
- SEE CURRENT CATALOG FOR ADDITIONAL PART SUFFIXES TO INDICATE COLOR AND OR PACKAGE QUANTITY.
 - FACEPLATE WILL ACCEPT ONE STANDARD NETKEY MODULE.
 - PART INCLUDES:
 - 1- FACEPLATE
 - 2- MOUNTING SCREW
 - 2- LABEL
 - 2- LABEL COVER
 - DIMENSIONS IN () ARE IN METRIC.



MODEL FILENAME	M00661BB_KEYSTONEFP1_02.PRT	SIZE	A
DRAWING FILENAME	M02479BE_DC031_00A.PRT		

NETKEY 1 POSITION SINGLE GANG
FACEPLATE WITH LABEL
CUSTOMER DRAWING

NETWORK SYSTEMS
AUG 18 2006
ENGINEERING DEPT

 PANDUIT® TINLEY PARK, IL 60477	1.1. NUMBER	N/A
	PRODUCT SPEC	N/A
	WORK INSTRUCTION	N/A
	SCALE	NONE
ALL DIMENSIONS ARE GIVEN IN INCHES. UNLESS OTHERWISE SPECIFIED. DIMENSIONAL TOLERANCES ARE: (.X) ±.03 (.XXX) ±.005 (.XX) ±.01 ANGLES ± 1°	PART NO.	NKIF**Y
DRAWN BY: JsP DATE: 7-29-06 CHK'D: MJD	MATERIAL	ABS
	DRAWING NO.	02479-031

REV	DATE	BY	CHK	DESCRIPTION	ECN	R	CUST	SUP	OTH
R	7-29-06	JsP	MJD	RELEASED TO PRODUCTION	02479-031	MJD	MJD		