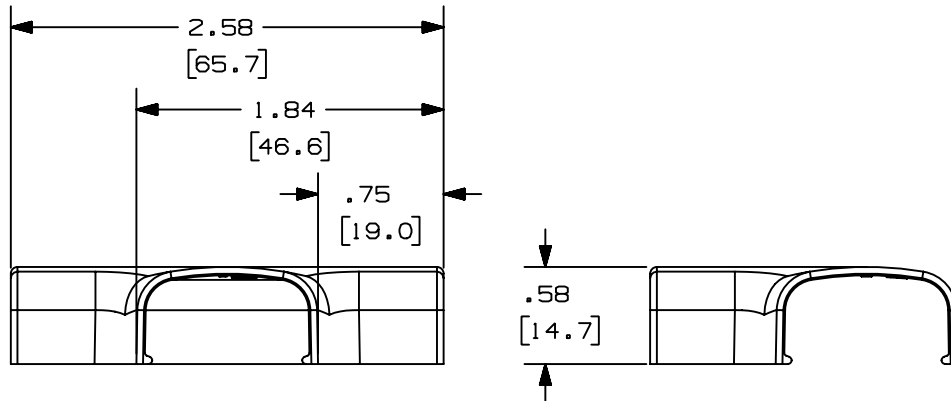
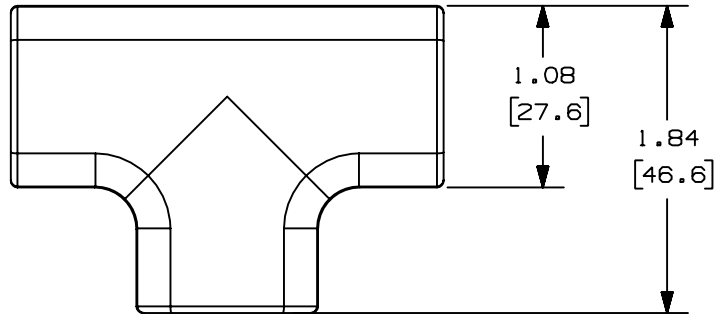


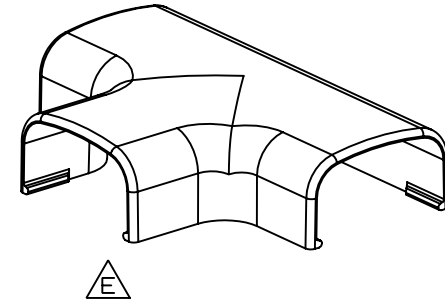
THIS COPY IS PROVIDED ON A RESTRICTED BASIS AND IS NOT TO BE USED IN ANY WAY DETRIMENTAL TO THE INTERESTS OF PANDUIT CORP.



$\triangle B$	PANDUIT P/N	WEIGHT
$\triangle C$	TF5	1.29 LB/100 PCS. (584g/100 PCS.)

$\triangle D$ NOTES:

1. SEE CURRENT CATALOG FOR ADDITIONAL PART NUMBER SUFFIXES TO INDICATE COLOR AND OR PACKAGE QUANTITY.
2. DIMENSIONS IN PARENTHESIS ARE IN METRIC.



CAD FILENAME/LAYERS		D34474BE_DC_TF5_01.prt	
PANDUIT		CORP. TINLEY PARK, ILLINOIS	
TEE FITTING		(TF5)	
CUSTOMER DRAWING		UNLESS OTHERWISE SPECIFIED, DIMENSIONAL TOLERANCES ARE: (.X) ± (.XXX) ± (.XX) ± .03 (.8) ANGLES ±	
UNLESS OTHERWISE SPECIFIED, ALL DIMENSIONS ARE GIVEN IN INCHES, THIRD ANGLE PROJECTION.		SCALE FULL	
DRAWN BY	RS	MAT'L:	ABS $\triangle F$
DATE	8-8-84	CHK'D	HP $\triangle A$
DRAWING NO.	SS-19158	DWG	A
SIZE			

REV	DATE	BY	CHK	DESCRIPTION	ECN	R	CUST	SUP
6	7-8-02	JHN	RMHI	F. REVISED MATERIAL IN DRAWING TITLE BLOCK.	19158	RGRC	RGRC	
5	8-28-00	MSO	HIW	E. REVISED AND REDRAWN ON CAD.	19158	HIW	HIW	
4	10-3-91	DW	CF	D. REVISED NOTE AND REMOVED COLOR FROM DRAWING.	19158		CF	
3	2-28-91	DW	CF	C. REVISED COLORS: OMIT BG, LI, LG. ADDED INT. WHITE AND INT. GRAY.	19158		WJB	
2	12-2-87	LDB	WJB	B. ADDED PART NUMBERS TF5E1 AND TF5LI.	19158		WJB	
1	10-1-84	CEW	HP	A. POLYSTYRENE WAS ABS.	19158		AJC	
R	8-14-84	RS	HP	DRAWING RELEASED	19158			