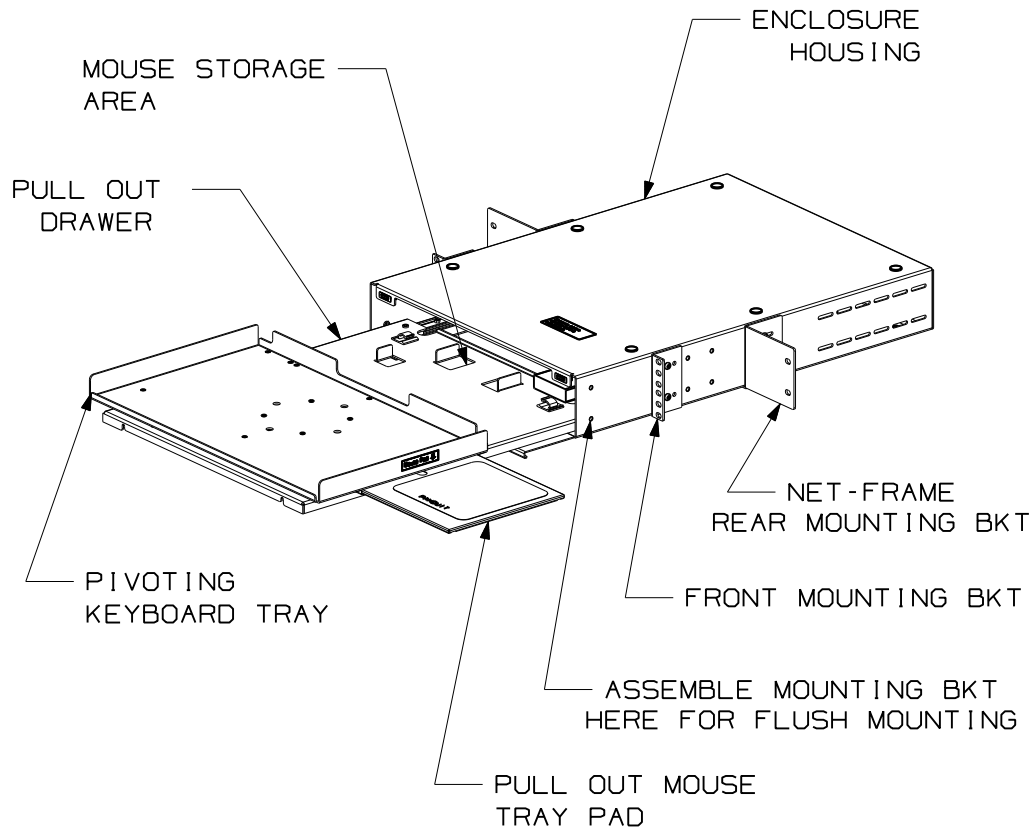


THIS COPY IS PROVIDED ON A RESTRICTED BASIS AND IS NOT TO BE USED IN ANY WAY DETRIMENTAL TO THE INTERESTS OF PANDUIT CORP.

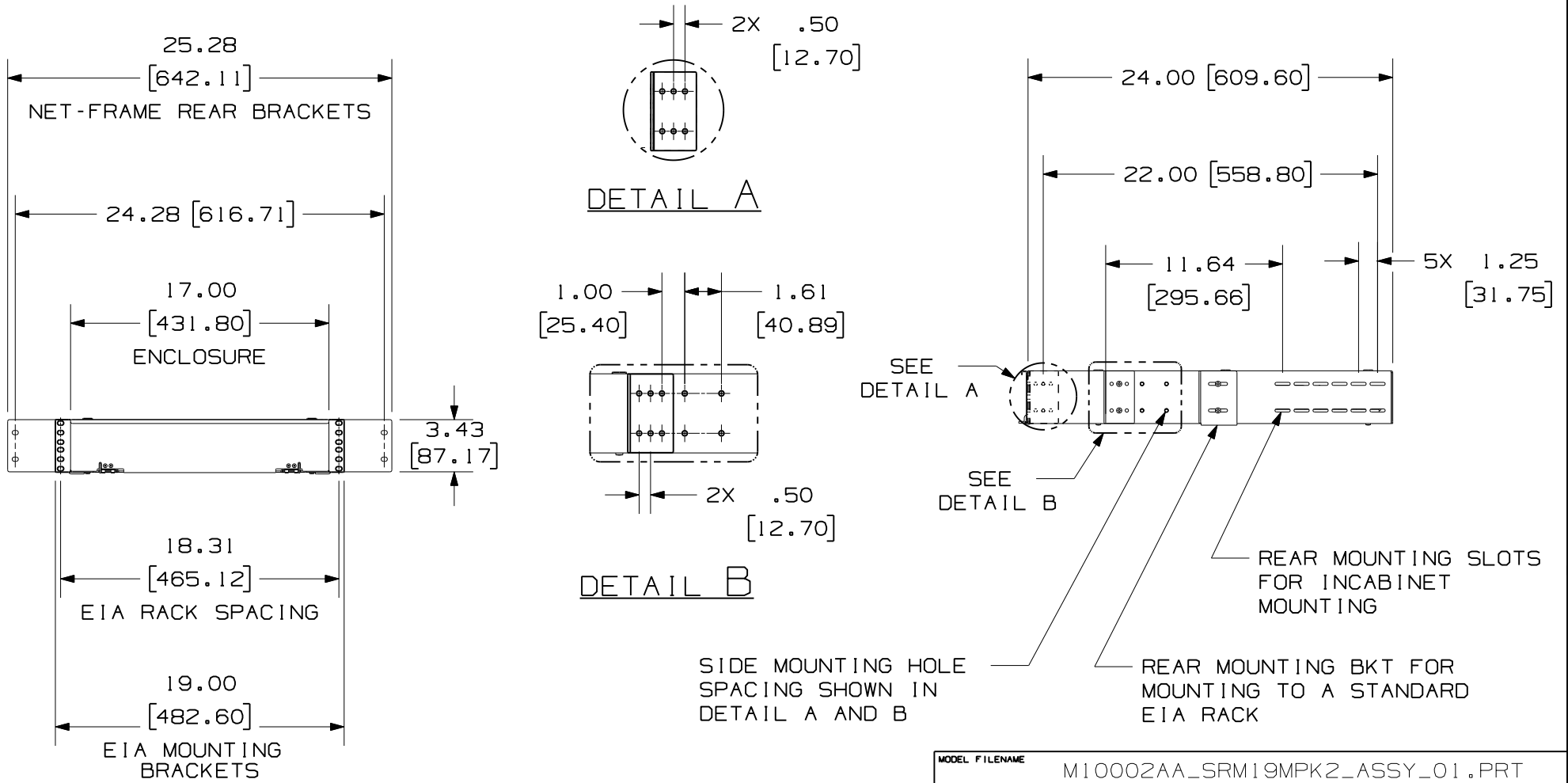


NOTES:

1. SEE CATALOG FOR COMPLETE LIST OF PARTS APPLICABLE FOR USE WITH THIS PART.
2. DIMENSIONS IN PARENTHESES ARE IN METRIC.
3. ENCLOSURE MOUNTS TO A STANDARD EIA 19" RACK AND USES 2 RACK UNITS.
4. ENCLOSURE CAN BE FLUSH MOUNTED OR EXTENDED 5" FROM FRONT FACE OF UNIT.
5. KEYBOARD TRAY FULLY EXTENDS, PIVOTS 90° AND CAN BE LOCKED IN PLACE IN THE OPEN AND CLOSED POSITIONS.
6. TRAY SUPPORTS A STANDARD SIZE 18.75" LONG X 9.00" WIDE KEYBOARD.
7. ENCLOSURE AND ALL MAIN COMPONENTS ARE MADE OF HEAVY GAUGE ALUMINUM.
8. REMOVABLE FRONT COVER SWINGS DOWN 180°
9. ENCLOSURE AND ALL COMPONENTS ARE POWDER COATED BLACK.
10. ENCLOSURE IS SUPPLIED WITH:
  - 6 MOUNTING BRACKETS (4 STANDARD BRACKETS AND 2 NETFRAME BRACKETS)
  - HARDWARE KIT
  - FULL SIZE KEYBOARD WRIST PAD (NOT SHOWN)
11. LOAD RATING - 200 POUNDS.

PANDUIT PART NUMBER: SRM19MPK2				WEIGHT: 17.50 LB PER UNIT 7938 G PER UNIT				MODEL FILENAME: M10002AA_SRM19MPK2_ASSY_01.PRT					
								CAD FILENAME/LAYERS: M10002AA_DC_01B.PRT (1)					
								<h1>PANDUIT</h1> CORP. TINLEY PARK, ILLINOIS					
								KEYBOARD/MONITOR SHELF ENCLOSURE SRM19MPK2 CUSTOMER DRAWING					
				UNLESS OTHERWISE SPECIFIED, DIMENSIONAL TOLERANCES ARE:				UNLESS OTHERWISE SPECIFIED, ALL DIMENSIONS ARE GIVEN IN INCHES, THIRD ANGLE PROJECTION.					
1	03/28/05	TKW		A. ADDED DETAIL VIEWS AND DIMENSIONS TO INDICATE VARIOUS BRACKET MOUNTING OPTIONS B. REVISED NOTES			10002-22						
R	3/15/01	AFW	SJA	RELEASED FOR PRODUCTION			10002-22	RTSU	RTSU	RTSU			
REV	DATE	BY	CHK	DESCRIPTION			ECN	R	CUST	SUP	OTH		
								DRAWN BY: AFW		MAT'L: SEE NOTES		SCALE: 1:10	
								DATE: 3/15/01		SEE NOTES		DRAWING NO. 10002-22 SHT 1 OF 2	
								CHK'D: SJA				DWG SIZE: A	

THIS COPY IS PROVIDED ON A RESTRICTED BASIS AND IS NOT TO BE USED IN ANY WAY DETRIMENTAL TO THE INTERESTS OF PANDUIT CORP.



MODEL FILENAME M10002AA\_SRM19MPK2\_ASSY\_01.PRT

CAD FILENAME/LAYERS M10002AA\_DC\_01B.PRT (1)

PANDUIT CORP. TINLEY PARK, ILLINOIS

KEYBOARD/MONITOR SHELF ENCLOSURE  
SRM19MPK2  
CUSTOMER DRAWING

UNLESS OTHERWISE SPECIFIED,  
DIMENSIONAL TOLERANCES ARE:  
(.X) ± .03 (.XXX) ± .005  
(.XX) ± .01 ANGLES ± 1°

UNLESS OTHERWISE SPECIFIED,  
ALL DIMENSIONS ARE GIVEN  
IN INCHES, THIRD ANGLE PROJECTION.

REV	DATE	BY	CHK	DESCRIPTION	ECN	R	CUST	SUP	OTH
I	03/28/05	TKW		SEE SHEET 1 FOR REVISIONS	10002-22				
R	3/15/01	AFW	SJA	RELEASED FOR PRODUCTION	10002-22	RTSU	RTSU	RTSU	

DRAWN BY AFW

DATE 3/15/01

CHK'D SJA

MAT'L:

SEE NOTES

SCALE 1:10

DRAWING NO. 10002-22 SHT 2 OF 2

DWG SIZE A