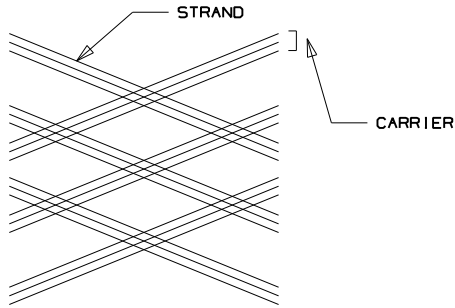
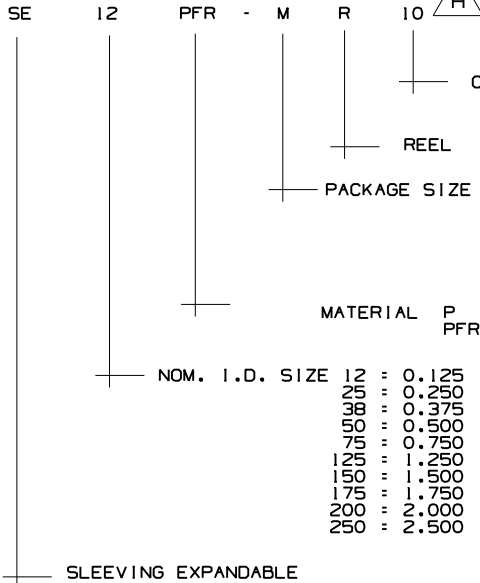


THIS COPY IS PROVIDED ON A RESTRICTED BASIS AND IS NOT TO BE USED IN ANY WAY DETRIMENTAL TO THE INTERESTS OF PANDUIT CORP.



PANDUIT PART NO.	NOMINAL I.D.	BUNDLE DIA.	NO. OF CARRIERS	NO. OF STRANDS PER CARRIER	WEIGHT /1000' lbs. (kg)
SE12___-R__	0.125 (3.18)	0.0937 - 0.25 (2.37 - 6.35)	32	1	1.81 (82)
SE25___-R__	0.250 (6.35)	0.125 - 0.375 (3.17 - 9.53)	24	3	3.92 (1.78)
SE38___-R__	0.375 (9.53)	0.1875 - 0.500 (4.76 - 12.70)	36	3	5.71 (2.59)
SE50___-R__	0.500 (12.70)	0.25 - 0.75 (6.35 - 19.05)	48		7.41 (3.37)
SE75___-R__	0.750 (19.05)	0.5 - 1.25 (12.70 - 31.75)	64 or 72		10.42 (4.74)
SE125___-R__	1.250 (31.75)	0.75 - 1.5 (19.05 - 38.10)	96	3	15.87 (7.21)
SE150___-R__	1.500 (38.10)	1.0 - 2.125 (25.40 - 53.98)			19.61 (8.91)
SE175___-R__	1.750 (44.45)	1.25 - 2.75 (31.75 - 69.85)	120	4	23.3 (10.59)
SE200P-R_	2.000 (50.80)	1.50 - 3.50 (38.10 - 88.90)	120	6	33.3 (15.10)
SE250P-R_	2.500 (63.50)	1.750 - 3.635 (44.50 - 92.33)	120		38.0 (17.24)



NOTES:

- ALL STRANDS OF THE PET SLEEVING SHALL BE THE SAME COLOR.
- THE FLAME RETARDANT PET MATERIAL SHALL HAVE ALL STRANDS THE SAME COLOR EXCEPT FOR TWO CRISSCROSS WHITE TRACERS (EACH TRACER CONSISTING OF ONE COMPLETE CARRIER) OR ONE SINGLE STRAND TRACER (ONE STRAND WITHIN CARRIER IS THE OPPOSITE COLOR). ALL STRANDS OF WHICH ARE WHITE, EXCEPT FOR WHITE SLEEVING, THE TRACERS ARE THEN BLACK.
- REELS MAY HAVE SPLICES, DEPENDING ON LENGTH:



LENGTH	50 FT	100 FT	200 FT	500 FT	1000 FT
MAX SPLICES	0	1	1	2	3

- SE200P & SE250P ARE ONLY OFFERED IN THE STD PET MATERIALS.

DIMENSIONS IN BRACKETS ARE METRIC [mm]

CAD FILENAME/LAYERS G03597BX_DC_GB0239KD/OOF

PANDUIT CORP.

TINLEY PARK, ILLINOIS

STANDARD BRAIDED
EXPANDABLE SLEEVING (SE)
(CUSTOMER DRAWING)

UNLESS OTHERWISE SPECIFIED,
DIMENSIONAL TOLERANCES ARE:

(.X) ± N/A (XXX) ± N/A
(.XX) ± N/A ANGLES ± N/A

UNLESS OTHERWISE SPECIFIED,
ALL DIMENSIONS ARE GIVEN
IN INCHES, THIRD ANGLE PROJECTION.

DRAWN BY
TMSA

DATE
3/17/05

CHK'D

MAT'L:
SEE
PART NUMBER
DESCRIPTION

SCALE NONE

DRAWING NO.
GB0239KD
DWG
A
SIZE

REV	DATE	BY	CHK	DESCRIPTION	ECN	R	CUST	SUP
OOF	3-27-12	LEF	VJS	H: RE-ADDED PANDUIT PART NUMBERS SE200P&SE250P G: ADDED "CUSTOMER DRAWING" TO TITLE DESCRIPTION F: ADDED NOTE #3, #4 AND TABLE.	GB0239KD	OOF	RAMI	
OOE	12-19-11	LEF	VJS	E: REMOVED NOTE #3 FROM NOTES. D: REMOVE COLOR "C" CLEAR C: REMOVE PARTS SE200P-R AND SE250P-R B: REPLACE TOLERANCING WITH N/A A: MATERIAL CHANGED TO PART# DESCRIPTION	GB0239KD	OOE	RAMI	
OOD	10-11-09	TMSA		CHANGED UPPER BUNDLE DIAMETER FOR THE FOLLOWING SE38 FROM .625 , SE150 FROM 2.250, & SE250 FROM 4.500 REMOVED NOTE 3 AND RENUMBERED NOTES.	GB0239KD	OOC		

