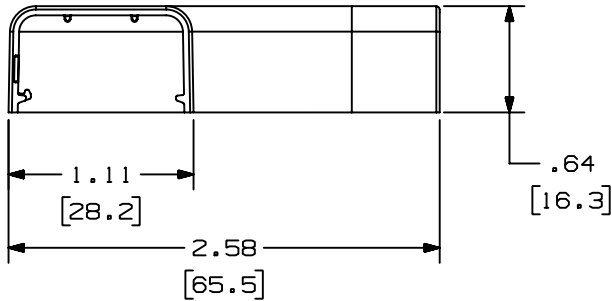
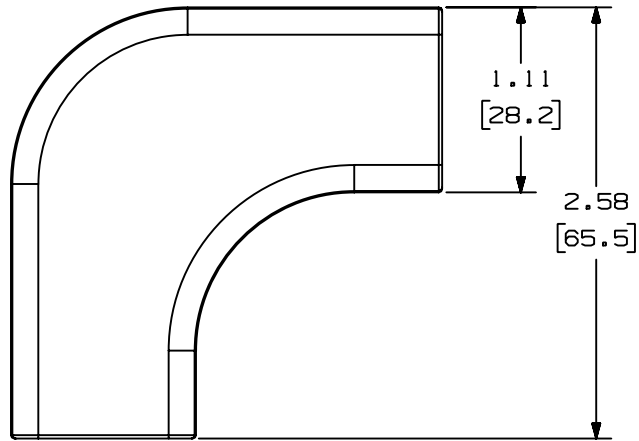


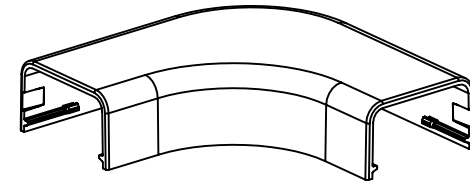
THIS COPY IS PROVIDED ON A RESTRICTED BASIS AND IS NOT TO BE USED IN ANY WAY DETRIMENTAL TO THE INTERESTS OF PANDUIT CORP.



| PANDUIT PART NO. | WEIGHT |
|------------------|-----------------------------------|
| RAFC5 | 2.1 LB/100 PCS (940 g/100 PCS) |

NOTES:

- SEE CURRENT CATALOG FOR ADDITIONAL PART NUMBER SUFFIXES TO INDICATE COLOR AND OR PACKAGE QUANTITY.
- THIS PRODUCT IS INTENDED TO BE USED WITH PANDUIT TYPE LD5 RACEWAY.
- NOMINAL WALL THICKNESSES: .055 [1.4].
- THIS PRODUCT IS FEATURED WITH THE TIA/EIA COMPLIANT BEND RADIUS.
- DIMENSIONS IN PARENTHESIS ARE IN METRIC.



CAD FILENAME/LAYERS D35012BD_LD_RAFC5_03.PRT

PANDUIT CORP. TINLEY PARK, ILLINOIS
 RIGHT ANGLE FITTING COVER
 (RAFC5)
 CUSTOMER DRAWING

| REV | DATE | BY | CHK | DESCRIPTION | ECN | CHK | CUST | SUP |
|-----|----------|------|-----|---|----------|------|------|-----|
| 3 | 03-15-04 | JHEP | RMH | B. REMOVED CD5 FROM NOTE 2 | 35012-04 | RGRO | RGRO | |
| 2 | 07-03-02 | JHNU | RMH | A. REVISED MATERIAL IN DRAWING TITLE BLOCK. | 35012-04 | RGRO | RGRO | |
| 1 | 05-14-99 | DW | HIW | REVISED GEOMETRY TO SHOW 2D VIEWS. | 35012-04 | HIW | HIW | |
| R | 11-10-95 | DW | CEF | RELEASED TO PRODUCTION | 35012-04 | CEF | CEF | |

| | | | |
|---|-------------------|---|------------------|
| UNLESS OTHERWISE SPECIFIED, DIMENSIONAL TOLERANCES ARE: (.X) ± (.XXX) ±.015 (.4) (.XX) ±.03 (.8) ANGLES ± | | UNLESS OTHERWISE SPECIFIED, ALL DIMENSIONS ARE GIVEN IN INCHES, THIRD ANGLE PROJECTION. | |
| DRAWN BY DW | MAT'L: ABS | SCALE NONE | |
| DATE 11-10-95 | | DRAWING NO. 35012-04 | DWG A SIZE |
| CHECKED BY CEF | | | |